

PRODUCT INFORMATION PACKET



Model No: 3389

Catalog No: 3389

Fan and Blower Motor, 3/4 HP, 1 Ph, 60 Hz, 115 V, 1075 RPM, 2 Speed, 48 Frame, OAO



Regal and Genteq are trademarks of Regal Rexnord Corporation or one of its affiliated companies.
©2022 Regal Rexnord Corporation, All Rights Reserved. MC017097E





Nameplate Specifications

Output HP	3/4 Hp	Frequency	60 Hz
Voltage	115 V	Current	10.30 A
Speed	1075 rpm	Service Factor	1
Phase	1	Duty	Continuous Air Over
Insulation Class	B	Frame	48
Enclosure	Open Air Over	Thermal Protection	Thermally Protected
Ambient Temperature	40 °C	UL	Recognized
CSA	Y	CE	N
Number of Speeds	2		

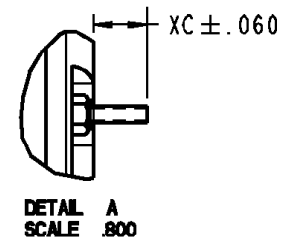
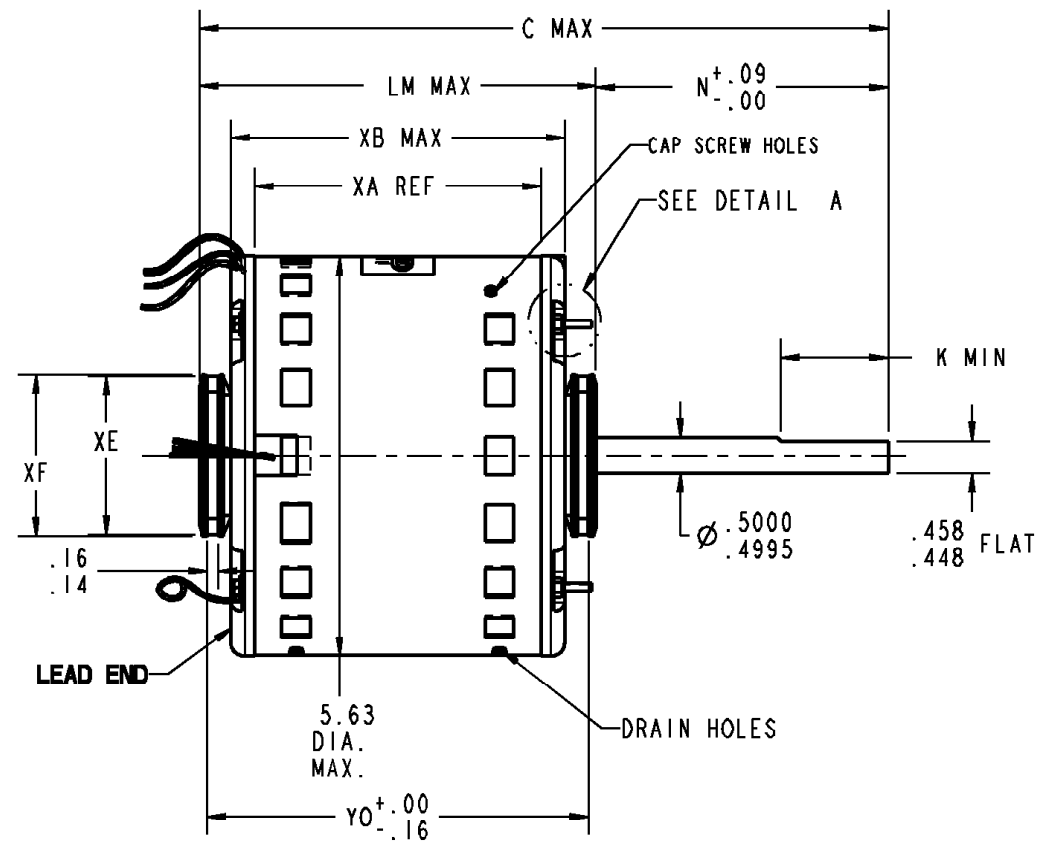
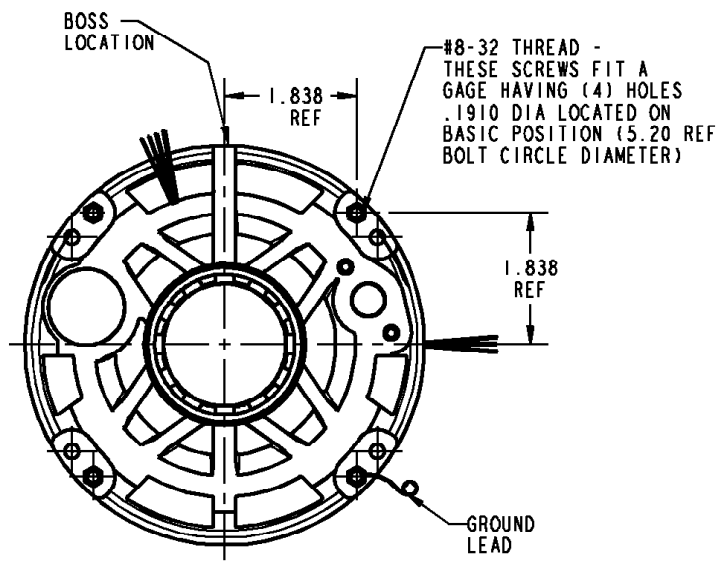
Technical Specifications

Electrical Type	Permanent Split Capacitor	Poles	6
Rotation	Reversible	Mounting	Resilient Rings
Motor Orientation	Any	Drive End Bearing	Sleeve
Opp Drive End Bearing	Sleeve	Frame Material	Rolled Steel
Shaft Type	Flat	Overall Length	10.39 in
Frame Length	4.82 in	Shaft Diameter	0.500 in
Shaft Extension	4.00 in	Thru-bolts Extension	0.59 in
Outline Drawing	5KCP39PGN091AS	Connection Drawing	NP24X327715

This is an uncontrolled document once printed or downloaded and is subject to change without notice. Date Created:11/29/2022

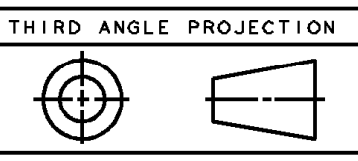
OBJECT: 5KCP39PGN091AS DATE: 09-NOV-11 17:16:59

VENTILATION SYSTEM		RBC PROPRIETARY AND CONFIDENTIAL INFORMATION This document is the property of REGAL BELOIT CORPORATION ("RBC") including its subsidiaries and divisions and contains proprietary information of RBC. This document is loaned on the express condition that neither it nor the information contained therein shall be disclosed to others without the express written consent of RBC, and that the information shall be used by the recipient only as approved expressly by RBC. This document shall be returned to RBC upon its request. This document may be subject to certain restrictions under U.S. export control laws and regulations.	REVISIONS			
SHELL VENTS	OPEN		REV.	DESCRIPTION	DATE	APPROVED
ENDSHIELD (OPP. LEAD END)	OPEN		1	REL TO PROD PER IS:11-2171	11/09/11	PRANEETH
ENDSHIELD (LEAD END)	OPEN					



NOTE:
1. DIMENSIONS SHOWN ARE NOMINAL UNLESS OTHERWISE SPECIFIED.

			2.22	2.25	.59	N/A	6.14
			XE	XF	XC	XD	YO
10.30	4.00	3.60	N/A	N/A	6.34	4.82	5.48
C	N	K	XN	XK	LM	XA	XB



NO	CONNECTION	COLOR	ENT TYPE	ENT LOC (MEAS LG)	GAGE	MATERIAL	WALL THK	LENGTH	TERMINATION
1	COMMON LEAD	WHITE	SHELL NOTCH	3:00	16	THERMOPLASTIC	4/64	26.00	.50 BWS
2	REV LEAD	YELLOW	E/S VENT	11:20	18	THERMOPLASTIC	4/64	3.00	.25 STRT QC/INS
3	CAPACITOR LEAD	BRN/WHT	SHELL NOTCH	3:00	16	THERMOPLASTIC	4/64	26.00	.50 BWS
4	REV LEAD	ORANGE	E/S VENT	11:20	18	THERMOPLASTIC	4/64	3.00	.25 STRT QC/INS
5	CAPACITOR LEAD	BROWN	SHELL NOTCH	3:00	16	THERMOPLASTIC	4/64	26.00	.50 BWS
6	REV LEAD	BROWN	E/S VENT	11:20	18	THERMOPLASTIC	4/64	3.00	.25 STRT QC/INS
7	HIGH SPEED LEAD	BLACK	SHELL NOTCH	3:00	18	THERMOPLASTIC	4/64	26.00	.50 BWS
8	LOW SPEED LEAD	RED	SHELL NOTCH	3:00	18	THERMOPLASTIC	4/64	26.00	.50 BWS
9	REV LEAD	PURPLE	E/S VENT	11:20	18	THERMOPLASTIC	4/64	3.00	.25 STRT QC/INS
10	GROUND	GRN-YEL	CLAMPSCREW	4:30	18	THERMOPLASTIC	2/64	12.00	#10 EYELET

NAMEPLATE DATA	
MODEL	5KCP39PGN091AS
CUST P/N	STOCK NO 3389
HP	3/4
RPM	1075
VOLTS	115
HZ	60
SPEEDS	2
AMPS	10.30
CAP REQD-1	15.00µfd/370Volts
CAP REQD-2	N/R
CONN DRW	NP24X327715
ROTATION	CCW/CW (VIEWED FROM LE)

REGAL BELOIT REGAL-BELOIT CORPORATION FORTWAYNE, INDIANA

TITLE: **MOTOR OUTLINE**
(CUSTOMER NAME: DEF PUR)

SIZE B DRAWING **5KCP39PGN091AS** REV 1

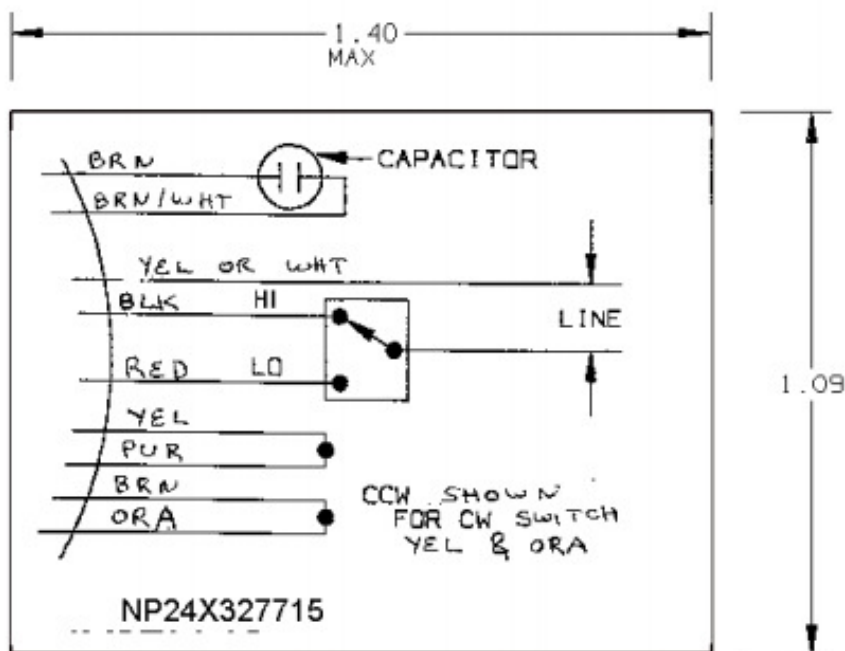
SCALE: NO ISSUED: 11/09/11 SHEET 1 of 1

REGAL PROPRIETARY STATEMENT

This document is the property of REGAL-BELOIT Corporation ("RBC") including its subsidiaries and divisions and contains proprietary information of RBC. This document is loaned on the express condition that neither it nor the information contained therein shall be disclosed to others without the express written consent of RBC, and that the information shall be used by the recipient only as approved expressly by RBC. This document shall be returned to RBC upon its request. This document may be subject to certain restrictions under the U.S. export control law and regulations.

REVISIONS

REV	DESCRIPTION
1	Convert to RBC Format JAR 10 2005




TYPE FACE: COLORS OR NUMBERS DENOTING LEAD IDENTIFICATION AND N.P. NUMBER ARE TO BE 18 POINT NEWS GOTHIC CONDENSED. OTHER INFORMATION SHOULD BE 18 POINT IF SPACE ALLOWS, OTHERWISE USE 14 POINT.

MATERIALS: 4 MIL WHITE VINYL ADHESIVE STOCK GE SPEC A50FG41-S1

BLACK INK GE SPEC A50FM48

NOTE: THE BOX LINES AND DIMENSIONS REPRESENT THE SIZE OF THE TAPE TO BE USED. DO NOT INCLUDE THESE IN STAMP FORMAT.

 REGAL-BELOIT CORPORATION				
CONNECTION DIAGRAM				
FILE:	DPC #	NP24X327715	ISSUED CAS 11/94	SCALE NO