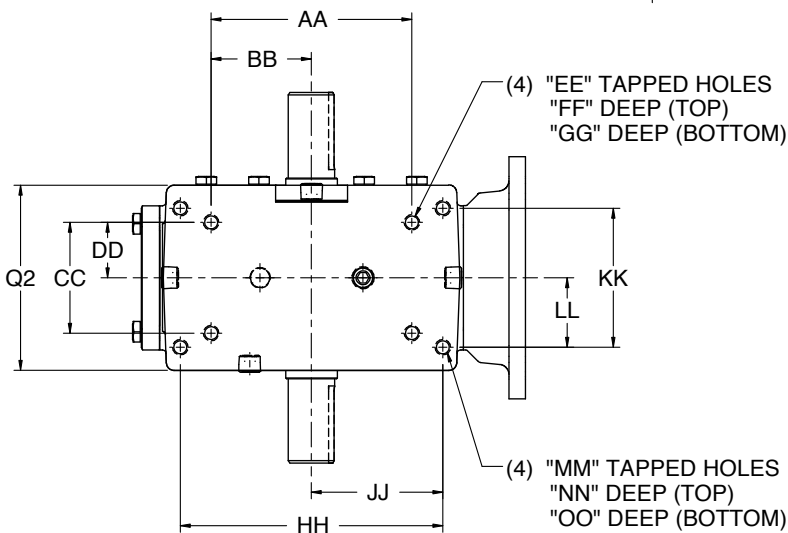
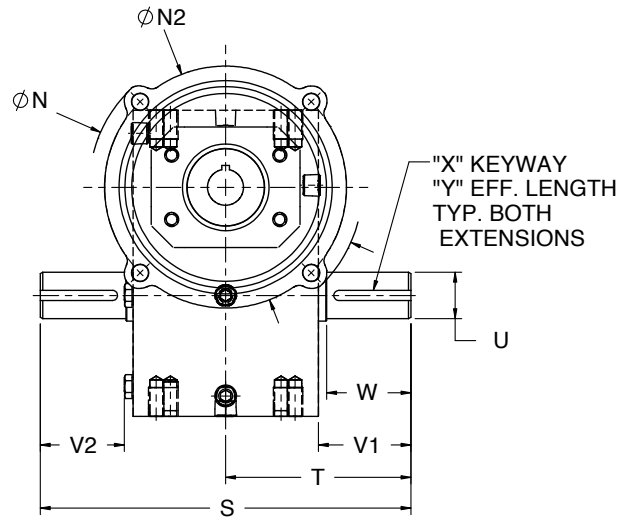
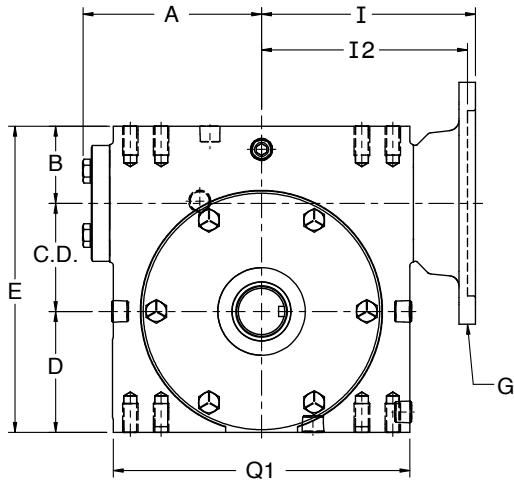


Hub City Worm Gear Drives

Single Reduction Models

134, 154, 184, 214, 244, 264, 304, 324, 384, 424, 454, 524, GW604



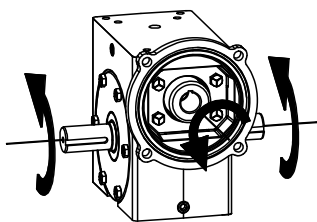
SPECIAL, METRIC AND SAE HYDRAULIC INPUT FLANGES AVAILABLE.
CONSULT FACTORY FOR COMPLETE SPECIFICATIONS.

REFER TO FAN DETAIL ON NEXT PAGE FOR GW MODELS.

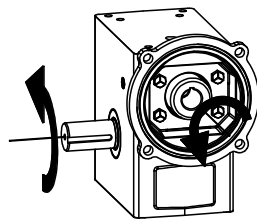
FOR LUBRICATION AND INSTALLATION INSTRUCTIONS - REFER TO SECTION S

DIMENSIONS SHOWN ARE FOR REFERENCE ONLY.
DOWNLOAD AVAILABLE CAD MODELS AT:
WWW.HUBCITYINC.COM

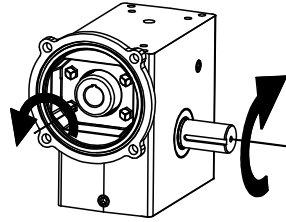
Standard Styles Available



STYLE "A"



STYLE "B"



STYLE "C"

CONSULT FACTORY FOR VERTICAL SHAFT LUBRICATION RECOMMENDATIONS.
INPUT SHAFT CAN BE ROTATED IN EITHER DIRECTION.

Hub City Worm Gear Drives

Single Reduction Models

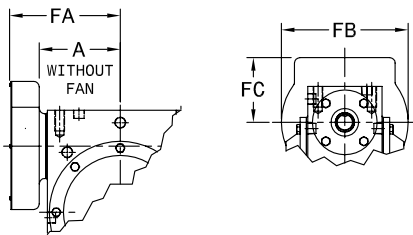
134, 154, 184, 214, 244, 264, 304, 324, 384, 424, 454, 524, GW604

MODEL	C.D.	A	B	D	E	Q1	Q2
134	1.334	2.61	1.186	1.562	4.082	4.12	3.12
154	1.541	3.14	1.928	1.906	5.375	4.88	3.44
184	1.751	3.23	1.374	1.875	5.000	5.16	3.44
214	2.064	3.61	1.500	2.437	6.000	5.88	4.12
244	2.376	3.77	2.061	2.500	6.937	6.12	4.06
264	2.626	4.33	1.874	2.938	7.438	7.20	4.50
304	3.001	4.84	2.624	3.250	8.875	8.12	5.25
324	3.251	5.28	2.124	3.250	8.625	8.62	5.20
384	3.751	4.90	2.374	3.937	10.062	9.60	5.62
424	4.251	6.10	2.686	4.438	11.375	10.25	6.13
454	4.501	5.23	2.499	4.625	11.625	9.25	4.63
524	5.168	5.98	2.624	5.375	13.167	10.75	5.06
GW604	6.000	N/A	4.000	6.500	16.500	14.25	8.13

MODEL	S	T	U	V1	V2	W	X	Y
134	6.50	3.25	.625/.624	1.69	1.53	1.60	3/16 X 3/32	1.38
154	8.62	4.31	.750/.7485	2.11	1.90	2.08	3/16 X 3/32	1.51
184	7.00	3.50	.750/.749	1.78	1.57	1.54	3/16 X 3/32	1.41
214	8.50	4.25	.875/.874	2.19	1.98	1.95	3/16 X 3/32	1.83
244	10.28	5.14	1.125/1.1235	2.66	2.44	2.62	1/4 x 1/8	1.76
264	9.00	4.50	1.250/1.249	2.25	2.04	N/A	1/4 x 1/8	1.85
304	13.50	6.75	1.250/1.2485	3.60	3.36	3.57	1/4 X 1/8	2.26
324	10.88	5.44	1.375/1.374	2.84	2.62	2.75	5/16 X 5/32	2.31
384	13.38	6.69	1.500/1.499	3.88	N/A	N/A	3/8 X 3/16	3.16
424	16.24	8.12	1.875/1.8735	4.50	4.21	4.47	1/2 X 1/4	3.06
454 **	14.50	7.25	1.625/1.624	4.18	N/A	3.90	3/8 X 3/16	3.28
524 ***	15.62	7.81	1.750/1.749	4.47	N/A	4.17	3/8 X 3/16	3.50
GW604	20.00	10.00	2.500	4.65	4.65	N/A	5/8 X 5/16 P&W	4.00

** ALSO AVAILABLE WITH 1.750/1.749 (U) DIAMETER OUTPUT SHAFT. CONSULT FACTORY.
 *** ALSO AVAILABLE WITH 2.000/1.999 (U) DIAMETER OUTPUT SHAFT. CONSULT FACTORY.

Fan Detail for Model GW604



MODEL	A	FA	FB	FC
GW604	N/A	11.13	9.50	4.00

ALL GW MODELS ARE FAN COOLED.

MODEL	G	I	I2	N	N2		
134	48CZ	3.46	N/A	4.36	3.87		
	56C			6.63	6.50		
154	48CZ	3.99	N/A	4.36	3.87		
	56C			6.63	6.50		
	143TC						
184	48CZ	4.09	N/A	4.36	3.87		
	56C			6.63	6.50		
	143TC						
214	48CZ	4.46	N/A	4.36	3.87		
	56C			6.63	6.50		
	143TC						
244	56C	4.63	N/A	6.50	6.50		
	143TC						
	182TC			N/A	5.06	9.00	9.00
264	56C	5.19	N/A	6.50	6.50		
	143TC						
	182TC			N/A	5.81	9.00	9.00
304	56C	5.95	N/A	6.50	6.50		
	143TC						
	182TC			N/A	6.15	9.00	9.00
	213TC				6.56		
324	56C	6.14	N/A	6.50	6.50		
	143TC						
	182TC			N/A	6.53	9.00	9.00
	213TC				7.09		
384	56C	6.50	N/A	6.50	6.50		
	143TC						
	182TC			N/A	6.88	9.00	9.00
424	56C	6.45	N/A	6.50	6.50		
	143TC						
	182TC			N/A	7.21	9.00	9.00
	213TC				7.77		
	254TC						
454	56C	6.75	N/A	6.50	6.50		
	143TC						
	182TC			N/A	6.75	9.00	9.00
213TC							
524 *	182TC	N/A	7.50	9.00	9.00		
	213TC						
	254TC						
GW604	56C	10.45	N/A	6.50	6.50		
	143TC						
	182TC			N/A	9.33	9.00	9.00
	213TC				9.94		
	254TC						

* 56C & 143TC FLANGES AVAILABLE AS MODIFIED STANDARDS

MODEL	AA	BB	CC	DD	EE	FF	GG	HH	JJ	KK	LL	MM	NN	OO	Wt. Lbs.
134	2.250	1.125	1.625	0.813	1/4 UNC	0.50	0.50	3.250	1.625	2.000	1.000	5/16 UNC	0.50	0.50	12
154	4.188	2.094	2.750	1.375	5/16 UNC	0.63	0.63	N/A	N/A	N/A	N/A	N/A	N/A	N/A	16
184	3.125	1.563	1.625	0.813	1/4 UNC	0.50	0.50	4.188	2.094	2.750	1.375	5/16 UNC	0.63	0.63	16
214	4.000	2.000	2.000	1.000	3/8 UNC	0.50	0.70	5.000	2.500	2.875	1.438	3/8 UNC	0.70	0.70	25
244	5.000	2.500	2.875	1.438	3/8 UNC	0.69	0.69	N/A	N/A	N/A	N/A	N/A	N/A	N/A	38
264	4.875	2.438	2.688	1.344	3/8 UNC	0.70	0.70	6.375	3.188	3.375	1.688	3/8 UNC	0.70	0.70	38
304	7.000	3.500	4.000	2.000	7/16 UNC	0.88	0.88	N/A	N/A	N/A	N/A	N/A	N/A	N/A	61
324	6.250	3.125	2.750	1.375	1/2 UNC	0.75	0.75	7.500	3.750	4.000	2.000	7/16 UNC	0.88	0.88	67
384	6.875	3.438	3.000	1.500	1/2 UNC	0.94	1.00	8.500	4.250	4.750	2.375	1/2 UNC	1.00	1.00	90
424	8.500	4.250	5.000	2.500	5/8 UNC	1.00	1.00	N/A	N/A	N/A	N/A	N/A	N/A	N/A	112
454	8.125	4.063	3.250	1.625	5/8 UNC	0.88	1.13	N/A	N/A	N/A	N/A	N/A	N/A	N/A	112
524	9.500	4.750	3.750	1.875	5/8 UNC	1.00	1.25	N/A	N/A	N/A	N/A	N/A	N/A	N/A	138
GW604	12.750	6.375	6.380	3.190	5/8 UNC	1.00	1.00	N/A	N/A	N/A	N/A	N/A	N/A	N/A	324