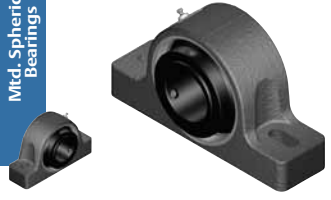
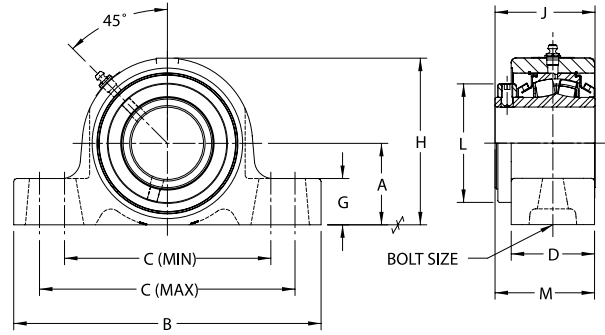


SEALMASTER® Performance Mounted Spherical Roller Bearings

Mtd. Spherical Bearings



- Rolling Elements:** Spherical Roller
- Housing:** Ductile Iron Two Bolt Pillow Block
- Self Alignment:** +/- 2 Degrees
- Lock:** Setscrew
- Seal:** Felt
- Optional Seal:** Double Lip Contact
- Temperature:** -20° to 220° F



USRBE5000 Series Two-Bolt Base Pillow Blocks - Collar Mount, Type E Mounting Dimensions

Bore Diameter	Part No.	Basic Dynamic Rating lb/N	Dimensions inch / mm										Unit Wt. lb/kg													
			A	B	C		D	G	H	J	L	M*		Bolt Size												
					Min.	Max.																				
1 15/16	USRBE5000-115	23520	2 1/4	8 7/8	6	7 1/8	2 7/16	1 5/16	4 17/32	2 7/8	3	2 63/64	5/8	11.4												
2	USRBE5000-200	104617	57.2	225.4	152.4	181.0	61.9	33.3	115.1	73.0	76.2	75.8		5.18												
2 3/16	USRBE5000-203	28087	2 1/2	9 5/8	6 1/2	7 7/8	2 1/2	1 7/16	4 31/32	3 1/8	3 1/4	3 1/8	5/8	13.7												
		124931	63.5	244.5	165.1	200.0	63.5	36.5	126.2	79.4	82.6	79.4		6.21												
2 7/16	USRBE5000-207	44691	2 3/4	10 3/8	6 7/8	8 5/8	2 13/16	1 9/16	5 5/8	3 3/8	4	3 11/32	5/8	19.4												
2 1/2	USRBE5000-208	198786	69.9	263.5	174.6	219.1	71.4	39.7	142.9	85.7	101.6	84.5		8.82												
2 11/16	USRBE5000-211	47447 211044	3 1/8	11 5/8	7 7/8	9 5/8	2 5/8	1 5/8	6 1/16	3 7/8	4 17/32	3 11/16	3/4	22.3												
2 3/4	USRBE5000-212														47447	79.4	295.3	200.0	244.5	66.7	41.3	154.0	98.4	115.1	93.7	10.14
2 15/16	USRBE5000-215														211044	79.4	295.3	200.0	244.5	66.7	41.3	154.0	98.4	115.1	93.7	10.14
3	USRBE5000-300														211044	79.4	295.3	200.0	244.5	66.7	41.3	154.0	98.4	115.1	93.7	10.14
3 3/16	USRBE5000-303	72640 323103	3 3/4	13 1/2	9 3/8	11 1/4	3 1/8	2 1/16	7 3/8	4 15/32	5 5/16	4 7/32	7/8	38.8												
3 7/16	USRBE5000-307														72640	95.3	342.9	238.1	285.8	79.4	52.4	187.3	113.5	134.9	107.2	17.62
3 1/2	USRBE5000-308														323103	95.3	342.9	238.1	285.8	79.4	52.4	187.3	113.5	134.9	107.2	17.62
3 11/16	USRBE5000-311	96050 427230	4 1/8	14 1/4	10	11 3/4	3 9/16	2 1/4	8 1/2	4 15/16	6	4 23/32	1	55.4												
3 15/16	USRBE5000-315														96050	104.8	362.0	254.0	298.5	90.5	57.2	215.9	125.4	152.4	119.9	25.19
4	USRBE5000-400														427230	104.8	362.0	254.0	298.5	90.5	57.2	215.9	125.4	152.4	119.9	25.19

*For expansion bearings, this dimension can increase by the corresponding value in table VIII on page I-69.

Metric dimensions for reference only.
 Not all parts are available from stock. Please contact customer service for availability (800) 626-2120.
 For more information on bearing capabilities outside of our standard offering, please contact Application Engineering (800) 626-2093.