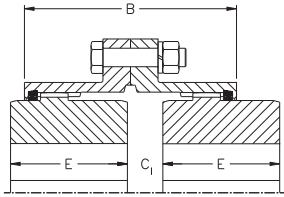
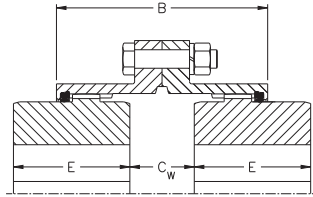


## Full Flex Coupling Size 1-7

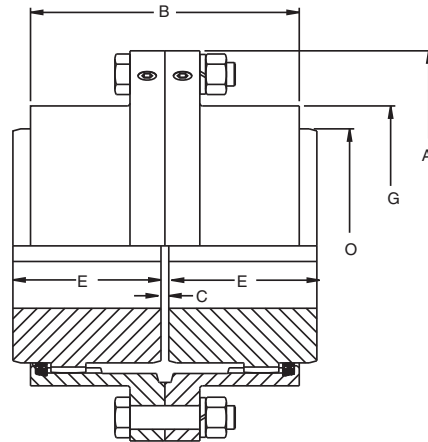
A conventional 4-bearing system has two bearings on the driving shaft and two bearings on the driven shaft. Both angular and offset shaft misalignment will be present to some degree and a full flex coupling is mandatory. The full flex coupling is the standard coupling having two gear ring sets, one set per half coupling. For selection procedure see page 161.



ONE HUB REVERSED



TWO HUBS REVERSED



Coupling Size	Maximum Bore with Standard Key	Rating HP / 100 RPM	Torque Rating (lb.-in.)	Peak Torque Rating (lb.-in.)	Maximum Speed (RPM)	Dimensions							
						A	B	C	C <sub>1</sub>	C <sub>w</sub>	E	G	O
1	1 5/8	10	6300	12600	10000	4 9/16	3 3/16	1/8	3/8	5/8	1 11/16	3	2 5/16
1 1/2	2 3/16	24	15100	30200	7400	6	3 7/8	1/8	9/16	1	2 1/16	3 13/16	3 1/8
2	2 3/4	50	31500	63000	5900	7	4 5/8	1/8	13/16	1 1/2	2 7/16	4 13/16	4
2 1/2	3 1/4	90	56700	113400	5000	8 3/8	5 11/16	3/16	29/32	1 5/8	3 1/32	5 23/32	4 23/32
3	4	150	94500	189000	4300	9 7/16	6 9/16	3/16	1 1/32	1 7/8	3 19/32	6 23/32	5 5/8
3 1/2	4 3/4	230	145000	290000	3900	11	7 5/8	1/4	1 5/16	2 3/8	4 3/16	7 3/4	6 5/8
4	5 3/8	350	221000	442000	3500	12 1/2	8 5/8	1/4	1 7/16	2 5/8	4 3/4	8 31/32	7 1/2
4 1/2	6	480	300000	600000	3200	13 5/8	9 5/8	5/16	1 5/8	2 15/16	5 3/8	10 1/8	8 1/2
5	6 3/4	650	410000	820000	2900	15 5/16	10 13/16	5/16	1 11/16	3 1/16	6 1/8	11 3/8	9 1/2
5 1/2*	7 1/2	850	536000	1072000	2700	16 3/4	11 5/8	5/16	1 7/8	3 7/16	6 5/8	12 9/16	10 27/64
6*	8 1/4	1100	693000	1386000	2500	18	13 1/4	5/16	2 5/16	4 5/16	7 3/8	13 7/8	11 3/4
7*	9 1/4	1600	1010000	2020000	2200	20 3/4	14 3/4	3/8	2 3/16	4	8 11/16	15 3/4	13 1/4

\* Sizes 5 1/2, 6 and 7 are only available with exposed bolt sleeves. Type EB exposed bolt sleeves are standard.

### Coupling Type EB (Exposed Bolts) Part Numbers

Coupling Size	Full Flex Coupling			Fastener Set (Includes Gasket)		Sleeve		Flex Hub		
	No Bore Part No.	Wt.	Finish Bore <sup>①</sup> Part No.	Part No.	Wt.	Part No.	Wt.	No Bore Part No.	Wt.	Finish Bore <sup>①</sup> Part No.
1	1W EB FF	10	1W EB FF FB	1 EB FS	1	1W EB SLEEVE	2	1W FHUB	3	1W FHUB FB
1 1/2	1 1/2W EB FF	19	1 1/2W EB FF FB	1 1/2 EB FS	1	1 1/2W EB SLEEVE	6	1 1/2W FHUB	3	1 1/2W FHUB FB
2	2W EB FF	30	2W EB FF FB	2 EB FS	1	2W EB SLEEVE	8	2W FHUB	7	2W FHUB FB
2 1/2	2 1/2W EB FF	52	2 1/2W EB FF FB	2 1/2 EB FS	2	2 1/2W EB SLEEVE	14	2 1/2W FHUB	12	2 1/2W FHUB FB
3	3W EB FF	76	3W EB FF FB	3 EB FS	3	3W EB SLEEVE	17	3W FHUB	20	3W FHUB FB
3 1/2	3 1/2W EB FF	117	3 1/2W EB FF FB	3 1/2 EB FS	5	3 1/2W EB SLEEVE	28	3 1/2W FHUB	28	3 1/2W FHUB FB
4	4W EB FF	180	4W EB FF FB	4 EB FS	5	4W EB SLEEVE	41	4W FHUB	47	4W FHUB FB
4 1/2	4 1/2W EB FF	244	4 1/2W EB FF FB	4 1/2 EB FS	7	4 1/2W EB SLEEVE	53	4 1/2W FHUB	66	4 1/2W FHUB FB
5	5W EB FF	361	5W EB FF FB	5 EB FS	9	5W EB SLEEVE	80	5W FHUB	96	5W FHUB FB
5 1/2	5 1/2W EB FF	422	5 1/2W EB FF FB	5 1/2 EB FS	14	5 1/2W EB SLEEVE	89	5 1/2W FHUB	115	5 1/2W FHUB FB
6	6W EB FF	494	6W EB FF FB	6 EB FS	14	6W EB SLEEVE	100	6W FHUB	140	6W FHUB FB
7	7W EB FF	822	7W EB FF FB	7 EB FS	22	7W EB SLEEVE	160	7W FHUB	240	7W FHUB FB

① All finish bores and keyways per AGMA/ANSI 9002 (Imperial) and AGMA/ANSI 9112 (Metric). Clearance fit bores on request and include on setscrew over keyway

### Coupling Type SB (Shrouded Bolts) Part Numbers

Coupling Size	Full Flex Coupling			Fastener Set (Includes Gasket)		Sleeve		Flex Hub		
	No Bore Part No.	Wt.	Finish Bore <sup>①</sup> Part No.	Part No.	Wt.	Part No.	Wt.	No Bore Part No.	Wt.	Finish Bore <sup>①</sup> Part No.
1	1W SB FF	10	1W SB FF FB	1 SB FS	1	1W SB SLEEVE	2	1W FHUB	3	1W FHUB FB
1 1/2	1 1/2W SB FF	19	1 1/2W SB FF FB	1 1/2 SB FS	1	1 1/2W SB SLEEVE	6	1 1/2W FHUB	3	1 1/2W FHUB FB
2	2W SB FF	30	2W SB FF FB	2 SB FS	1	2W SB SLEEVE	8	2W FHUB	7	2W FHUB FB
2 1/2	2 1/2W SB FF	52	2 1/2W SB FF FB	2 1/2 SB FS	2	2 1/2W SB SLEEVE	13	2 1/2W FHUB	12	2 1/2W FHUB FB
3	3W SB FF	76	3W SB FF FB	3 SB FS	2	3W SB SLEEVE	15	3W FHUB	20	3W FHUB FB
3 1/2	3 1/2W SB FF	117	3 1/2W SB FF FB	3 1/2 SB FS	4	3 1/2W SB SLEEVE	26	3 1/2W FHUB	28	3 1/2W FHUB FB
4	4W SB FF	180	4W SB FF FB	4 SB FS	4	4W SB SLEEVE	37	4W FHUB	47	4W FHUB FB
4 1/2	4 1/2W SB FF	244	4 1/2W SB FF FB	4 1/2 SB FS	4	4 1/2W SB SLEEVE	50	4 1/2W FHUB	66	4 1/2W FHUB FB
5	5W SB FF	361	5W SB FF FB	5 SB FS	7	5W SB SLEEVE	72	5W FHUB	96	5W FHUB FB

① All finish bores and keyways per AGMA/ANSI 9112 commercial standard tolerances with interference fit bores. Clearance fit bores are available on request and include one setscrew over keyway.