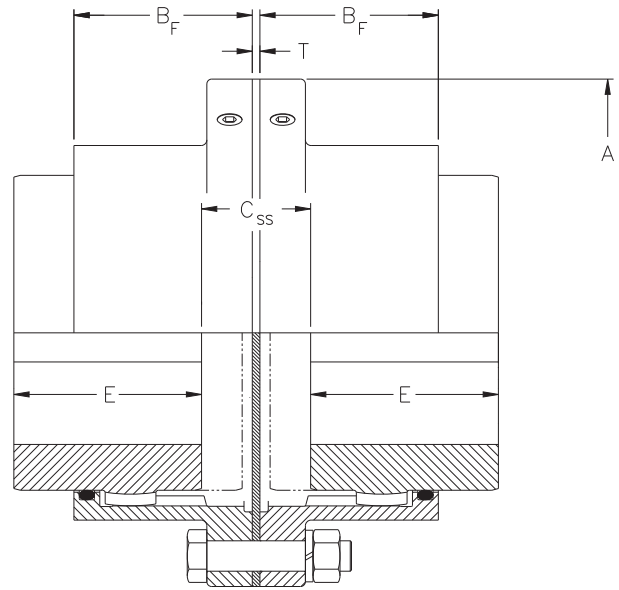
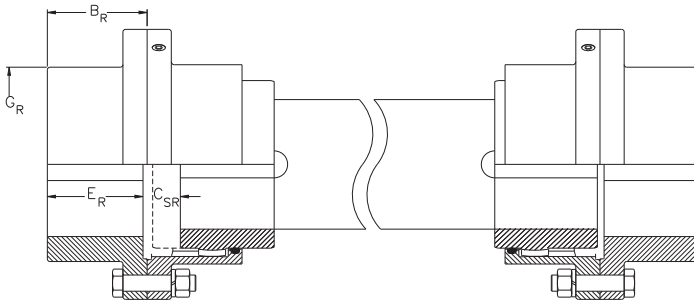


The Series H Slide coupling is designed for drive systems that require greater end float or slide than a conventional application. Spacer couplings, floating shaft arrangements, and most coupling types can be supplied with a Slide flex half in one or both flex half couplings.

For Flex-Rigid arrangements used in floating shaft couplings, a stop plate is not required and a standard EB fastener set (FS) is used.



FLOATING SHAFT ASSEMBLY

Coupling Size*	Total Slide ①		Dimensions										
	Full-Flex	Flex-Rigid	A	B _F	B _R	C _{SS} Hub & Shaft Separation		C _{SR} Hub & Shaft Separation		E	E _R	T	O
						Min.	Max.	Min.	Max.				
1	1/8	3/32	4 9/16	1 17/32	1 21/32	1/4	3/8	1/8	7/32	1 11/16	1 9/16	1/8	2 3/8
1 1/2	3/8	7/32	6	1 25/32	1 15/16	1/4	5/8	1/8	11/32	1 15/16	1 27/32	1/8	3 1/8
2	7/8	15/32	7	2 11/32	2 3/8	1/4	1 1/8	1/8	19/32	2 7/16	2 9/32	1/8	4
2 1/2	9/16	5/16	8 3/8	2 11/16	3	5/16	7/8	5/32	15/32	3 1/32	2 29/32	1/8	4 7/8
3	1 7/16	3/4	9 7/16	3 9/32	3 9/16	5/16	1 3/4	5/32	29/32	3 19/32	3 15/32	1/8	5 5/8
3 1/2	1 5/8	7/8	11	3 27/32	4 1/8	7/16	2 1/16	5/32	1 1/32	4 3/16	4 1/32	3/16	6 1/2
4	2	1 1/16	12 1/2	4 3/8	4 5/8	7/16	2 7/16	1/4	1 5/16	4 3/4	4 7/16	3/16	7 3/4
4 1/2	2 1/4	1 7/32	13 5/8	4 27/32	5 1/4	1/2	2 3/4	1/4	1 15/32	5 5/16	5 1/16	3/16	8 1/2
5	3 5/16	1 3/4	15 5/16	5 17/32	5 7/8	1/2	3 13/16	1/4	2	6 1/32	5 11/16	3/16	9 1/2
5 1/2	3 9/16	1 7/8	16 3/4	6 7/32	7 5/32	9/16	4 1/8	5/16	2 3/16	6 29/32	6 31/32	1/4	10 1/2
6	4 1/16	2 1/8	18	6 21/32	7 21/32	9/16	4 5/8	5/16	2 7/16	7 13/32	7 15/32	1/4	11 1/2
7	4 7/8	2 9/16	20 3/4	7 11/16	9	11/16	5 9/16	3/8	2 15/16	8 11/16	8 3/4	5/16	13 1/2

*Exposed bolts are standard for all sizes.

Note: For ratings, max. bores and additional dimensions, see page 134

Coupling Size*	Full Flex Coupling			Stop Plate		Fastener Set (Includes Gasket)		Slide Sleeve		Flex Hub	
	No Bore Part No.	Wt.	Finish Bore ① Part No.	Part No.	Wt.	Part No.	Wt.	Part No.	Wt.	No Bore Part No.	Wt.
1	1H EB SSFF	10	1H EB SSFF FB	1 EB SP	1	1 EB VSFS	1	1H EB SSLEEVE	2	1H FHUB	3
1 1/2	1 1/2H EB SSFF	18	1 1/2H EB SSFF FB	1 1/2 EB SP	1	1 1/2 EB VSFS	1	1 1/2H EB SSLEEVE	6	1 1/2H FHUB	3
2	2H EB SSFF	28	2H EB SSFF FB	2 EB SP	2	2 EB VSFS	1	2H EB SSLEEVE	8	2H FHUB	6
2 1/2	2 1/2H EB SSFF	50	2 1/2H EB SSFF FB	2 1/2 EB SP	2	2 1/2 EB VSFS	2	2 1/2H EB SSLEEVE	14	2 1/2H FHUB	11
3	3H EB SSFF	74	3H EB SSFF FB	3 EB SP	3	3 EB VSFS	3	3H EB SSLEEVE	17	3H FHUB	18
3 1/2	3 1/2H EB SSFF	110	3 1/2H EB SSFF FB	3 1/2 EB SP	4	3 1/2 EB VSFS	5	3 1/2H EB SSLEEVE	28	3 1/2H FHUB	26
4	4H EB SSFF	170	4H EB SSFF FB	4 EB SP	7	4 EB VSFS	5	4H EB SSLEEVE	41	4H FHUB	44
4 1/2	4 1/2H EB SSFF	230	4 1/2H EB SSFF FB	4 1/2 EB SP	10	4 1/2 EB VSFS	7	4 1/2H EB SSLEEVE	53	4 1/2H FHUB	62
5	5H EB SSFF	350	5H EB SSFF FB	5 EB SP	12	5 EB VSFS	9	5H EB SSLEEVE	80	5H FHUB	90
5 1/2	5 1/2H EB SSFF	400	5 1/2H EB SSFF FB	5 1/2 EB SP	15	5 1/2 EB VSFS	14	5 1/2H EB SSLEEVE	89	5 1/2H FHUB	105
6	6H EB SSFF	470	6H EB SSFF FB	6 EB SP	19	6 EB VSFS	14	6H EB SSLEEVE	100	6H FHUB	130
7	7H EB SSFF	790	7H EB SSFF FB	7 EB SP	25	7 EB VSFS	22	7H EB SSLEEVE	160	7H FHUB	210

* Exposed bolts are standard for all sizes.

① All finish bores and keyways per AGMA/ANSI 9112 commercial standard tolerances with interference fit bores. Clearance fit bores are available on request and include one setscrew over keyway.