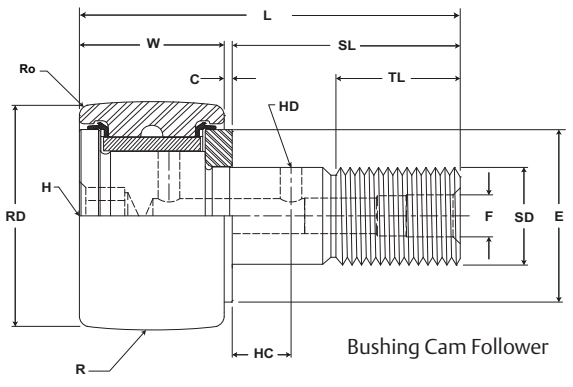


MCGILL® Inch Cam Follower Bearings



- Basic Construction Type:** Stud Type Crowned / Cylindrical Outside Diameter
- Rolling Elements:** Non-Metallic Bushing
- Bearing Material:** Bearing Quality Steel
- Seal Type:** LUBRI-DISC®
- Lubrication:** None - Self Lubricating Bushing
- System Configuration:** Concentric / Eccentric
- Mounting Feature:** Slot / Hex Hole

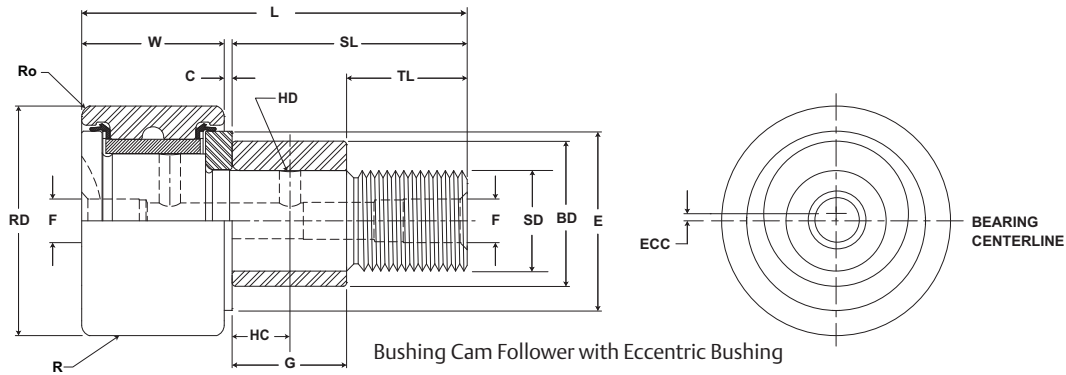


BCF, BCFE

Part No.	RD		W		SD		SL	C	TL	L	R	ECC	G	BD	Track Roller Dynamic Rating	Track Roller Static Rating
	Roller Diameter		Roller Width		Stud Diameter		Stud Length	Endplate Extension	Minimum Thread Length	Length Overall	Crown Prefix BCCF-XX	Eccentric Base Modifier BCFE-XX				
	inch mm		inch mm		inch mm		inch mm	inch mm	inch mm	inch mm	inch mm	inch mm				
	Nom.	Tol.	Nom.	Tol.	Nom.	Tol.	(Ref)	(Ref)	(Ref)	(Ref)	Radius	(Ref)	+0/- .001 (+/- .03)	± .001 (± .03)		
BCF 1 1/4 S	1.250 31.75	+0/- .001 +0/- .03	.750 19.05	+0 / - .005 +0 / - .13	.500 12.70	+.001/-0 +.03/-0	1.25 31.8	.03 .8	.63 15.9	2.03 51.6	Cylindrical	N/A	N/A	N/A	See Load-Speed Chart	
BCF 1 1/4 SB																
BCCF 1 1/4 S																
BCCF 1 1/4 SB																
BCFE 1 1/4 S	1.250 31.75	+0/- .001 +0/- .03	.750 19.05	+0 / - .005 +0 / - .13	.500 12.70	+.001/-0 +.03/-0	1.25 31.8	.03 .8	.63 15.9	2.03 51.6	Cylindrical	.030 .76	.63 15.9	.69 17.4	See Load-Speed Chart	
BCFE 1 1/4 SB																
BCCFE 1 1/4 S																
BCCFE 1 1/4 SB																
BCF 1 3/8 S	1.375 34.93	+0/- .001 +0/- .03	.750 19.05	+0 / - .005 +0 / - .13	.500 12.70	+.001/-0 +.03/-0	1.25 31.8	.03 .8	.63 15.9	2.03 51.6	Cylindrical	N/A	N/A	N/A	See Load-Speed Chart	
BCF 1 3/8 SB																
BCCF 1 3/8 S																
BCCF 1 3/8 SB																
BCFE 1 3/8 S	1.375 34.93	+0/- .001 +0/- .03	.750 19.05	+0 / - .005 +0 / - .13	.500 12.70	+.001/-0 +.03/-0	1.25 31.8	.03 .8	.63 15.9	2.03 51.6	Cylindrical	.030 .76	.63 15.9	.69 17.4	See Load-Speed Chart	
BCFE 1 3/8 SB																
BCCFE 1 3/8 S																
BCCFE 1 3/8 SB																
BCF 1 1/2 S	1.500 38.10	+0/- .001 +0/- .03	.875 22.23	+0 / - .005 +0 / - .13	.625 15.88	+.001/-0 +.03/-0	1.50 38.1	.03 .8	.75 19.1	2.41 61.1	Cylindrical	N/A	N/A	N/A	See Load-Speed Chart	
BCF 1 1/2 SB																
BCCF 1 1/2 S																
BCCF 1 1/2 SB																
BCFE 1 1/2 S	1.500 38.10	+0/- .001 +0/- .03	.875 22.23	+0 / - .005 +0 / - .13	.625 15.88	+.001/-0 +.03/-0	1.50 38.1	.03 .8	.75 19.1	2.41 61.1	Cylindrical	.030 .76	.75 19.1	.88 22.2	See Load-Speed Chart	
BCFE 1 1/2 SB																
BCCFE 1 1/2 S																
BCCFE 1 1/2 SB																
BCF 1 5/8 S	1.625 41.28	+0/- .001 +0/- .03	.875 22.23	+0 / - .005 +0 / - .13	.625 15.88	+.001/-0 +.03/-0	1.50 38.1	.03 .8	.75 19.1	2.41 61.1	Cylindrical	N/A	N/A	N/A	See Load-Speed Chart	
BCF 1 5/8 SB																
BCCF 1 5/8 S																
BCCF 1 5/8 SB																
BCFE 1 5/8 S	1.625 41.28	+0/- .001 +0/- .03	.875 22.23	+0 / - .005 +0 / - .13	.625 15.88	+.001/-0 +.03/-0	1.50 38.1	.03 .8	.75 19.1	2.41 61.1	Cylindrical	.030 .76	.75 19.1	.88 22.2	See Load-Speed Chart	
BCFE 1 5/8 SB																
BCCFE 1 5/8 S																
BCCFE 1 5/8 SB																

Metric dimensions for reference only.
 Not all parts are available from stock. Please contact customer service for availability (800) 626-2120.
 For more information on bearing capabilities outside of our standard offering, please contact Application Engineering (800) 626-2093.

Inch Cam Follower Bearings **McGILL**



BCF, BCFE

Part No.	HC	HD	F	H	E	R ₀	Housing Bore Diameter		Thread Type	Clamping Torque	Limiting Speed	WT
	Hole Center	Radial Hole Diameter	Axial Hole Dia or Fitting	Hex Hole	Min Boss Diameter	Outer Corner Radius	inch mm			in-lb Nm	RPM	Bearing Weight
	(Ref)	(Ref)	(Ref)	(Ref)	(Ref)	(Ref)	Nom.	Tol.		lb kg		
BCF 1 1/4 S	.31 7.9	.09 2.4	.1875 4.76	.25 6.4	.98 25.0	.03 .8	.5003 12.708	+.0002/- .0003 +.0005/- .0008	1/2-20	350 40	See Load-Speed Chart	.30 .14
BCF 1 1/4 SB						N/A						
BCCF 1 1/4 S						N/A						
BCCF 1 1/4 SB						N/A						
BCFE 1 1/4 S	.31 7.9	.09 2.4	.1875 4.76	.25 6.4	.98 25.0	.03 .8	.690 17.52	+.001/- .001 +.025/- .025	1/2-20	350 40	See Load-Speed Chart	.30 .14
BCFE 1 1/4 SB						N/A						
BCCFE 1 1/4 S						N/A						
BCCFE 1 1/4 SB						N/A						
BCF 1 3/8 S	.31 7.9	.09 2.4	.1875 4.76	.25 6.4	.98 25.0	.05 1.2	.5003 12.708	+.0002/- .0003 +.0005/- .0008	1/2-20	350 40	See Load-Speed Chart	.35 .16
BCF 1 3/8 SB						N/A						
BCCF 1 3/8 S						N/A						
BCCF 1 3/8 SB						N/A						
BCFE 1 3/8 S	.31 7.9	.09 2.4	.1875 4.76	.25 6.4	.98 25.0	.05 1.2	.690 17.52	+.001/- .001 +.025/- .025	1/2-20	350 40	See Load-Speed Chart	.35 .16
BCFE 1 3/8 SB						N/A						
BCCFE 1 3/8 S						N/A						
BCCFE 1 3/8 SB						N/A						
BCF 1 1/2 S	.38 9.5	.09 2.4	.1875 4.76	.31 7.9	1.09 27.8	.06 1.6	.6253 15.883	+.0002/- .0003 +.0005/- .0008	5/8-18	650 73	See Load-Speed Chart	.53 .24
BCF 1 1/2 SB						N/A						
BCCF 1 1/2 S						N/A						
BCCF 1 1/2 SB						N/A						
BCFE 1 1/2 S	.38 9.5	.09 2.4	.1875 4.76	.31 7.9	1.09 27.8	.06 1.6	.878 22.30	+.001/- .001 +.025/- .025	5/8-18	650 73	See Load-Speed Chart	.53 .24
BCFE 1 1/2 SB						N/A						
BCCFE 1 1/2 S						N/A						
BCCFE 1 1/2 SB						N/A						
BCF 1 5/8 S	.38 9.5	.09 2.4	.1875 4.76	.31 7.9	1.09 27.8	.06 1.6	.6253 15.883	+.0002/- .0003 +.0005/- .0008	5/8-18	650 73	See Load-Speed Chart	.60 .27
BCF 1 5/8 SB						N/A						
BCCF 1 5/8 S						N/A						
BCCF 1 5/8 SB						N/A						
BCFE 1 5/8 S	.38 9.5	.09 2.4	.1875 4.76	.31 7.9	1.09 27.8	.06 1.6	.878 22.30	+.001/- .001 +.025/- .025	5/8-18	650 73	See Load-Speed Chart	.60 .27
BCFE 1 5/8 SB						N/A						
BCCFE 1 5/8 S						N/A						
BCCFE 1 5/8 SB						N/A						