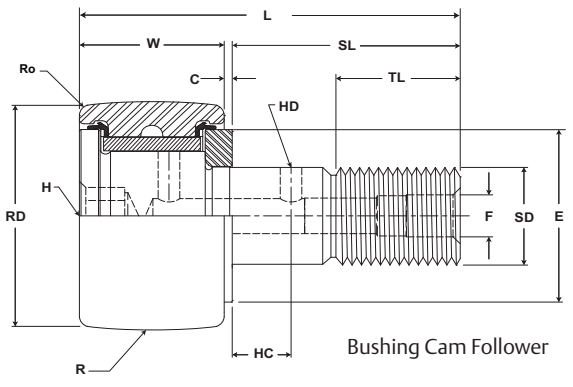


# McGILL® Inch Cam Follower Bearings



- Basic Construction Type:** Stud Type Crowned / Cylindrical Outside Diameter
- Rolling Elements:** Non-Metallic Bushing
- Bearing Material:** Bearing Quality Steel
- Seal Type:** LUBRI-DISC®
- Lubrication:** None - Self Lubricating Bushing
- System Configuration:** Concentric / Eccentric
- Mounting Feature:** Slot / Hex Hole

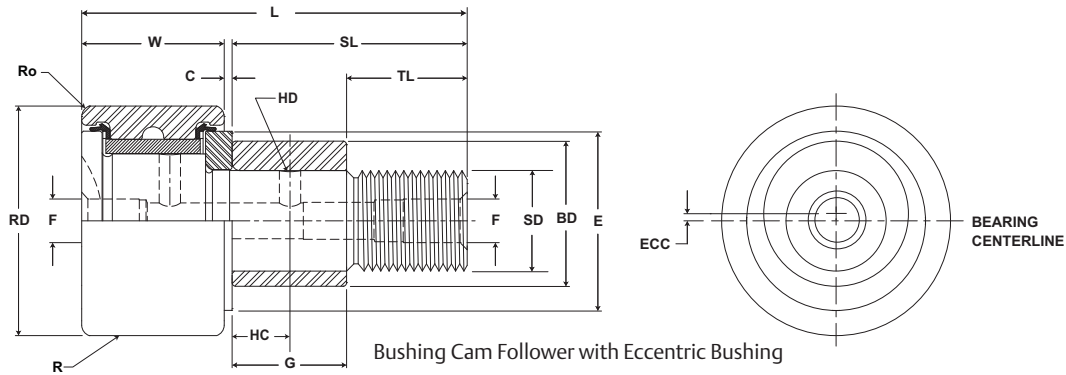


## BCF, BCFE

Part No.	RD		W		SD		SL	C	TL	L	R	ECC	G	BD	Track Roller Dynamic Rating	Track Roller Static Rating
	Roller Diameter		Roller Width		Stud Diameter		Stud Length	Endplate Extension	Minimum Thread Length	Length Overall	Crown Prefix BCCF-XX	Eccentric Base Modifier BCCE-XX				
	inch mm		inch mm		inch mm		inch mm	inch mm	inch mm	inch mm	inch mm	inch mm				
	Nom.	Tol.	Nom.	Tol.	Nom.	Tol.	(Ref)	(Ref)	(Ref)	(Ref)	Radius	(Ref)	+0/- .001 (+/- .03)	± .001 (± .03)		
BCF 3/4 S	.750 19.05	+0/- .001 +0/- .03	.500 12.70	+0 / - .005 +0 / - .13	.375 9.53	+ .001/-0 + .03/-0	.875 22.2	.03 .8	.38 9.5	1.41 35.7	Cylindrical	N/A	N/A	N/A	See Load-Speed Chart	
BCF 3/4 SB																
BCCF 3/4 S											10					
BCCF 3/4 SB											254					
BCFE 3/4 S	.750 19.05	+0/- .001 +0/- .03	.500 12.70	+0 / - .005 +0 / - .13	.375 9.53	+ .001/-0 + .03/-0	.875 22.2	.03 .8	.38 9.5	1.41 35.7	Cylindrical	.015 .38	.50 12.7	.50 12.7	See Load-Speed Chart	
BCFE 3/4 SB																
BCCFE 3/4 S											10					
BCCFE 3/4 SB											254					
BCF 7/8 S	.875 22.23	+0/- .001 +0/- .03	.500 12.70	+0 / - .005 +0 / - .13	.375 9.53	+ .001/-0 + .03/-0	.875 22.2	.03 .8	.38 9.5	1.41 35.7	Cylindrical	N/A	N/A	N/A	See Load-Speed Chart	
BCF 7/8 SB																
BCCF 7/8 S											10					
BCCF 7/8 SB											254					
BCFE 7/8 S	.875 22.23	+0/- .001 +0/- .03	.500 12.70	+0 / - .005 +0 / - .13	.375 9.53	+ .001/-0 + .03/-0	.875 22.2	.03 .8	.38 9.5	1.41 35.7	Cylindrical	.015 .38	.50 12.7	.50 12.7	See Load-Speed Chart	
BCFE 7/8 SB																
BCCFE 7/8 S											10					
BCCFE 7/8 SB											254					
BCF 1 S	1.000 25.40	+0/- .001 +0/- .03	.625 15.88	+0 / - .005 +0 / - .13	.4375 11.11	+ .001/-0 + .03/-0	1.00 25.4	.03 .8	.50 12.7	1.66 42.1	Cylindrical	N/A	N/A	N/A	See Load-Speed Chart	
BCF 1 SB																
BCCF 1 S											12					
BCCF 1 SB											305					
BCFE 1 S	1.000 25.40	+0/- .001 +0/- .03	.625 15.88	+0 / - .005 +0 / - .13	.4375 11.11	+ .001/-0 + .03/-0	1.00 25.4	.03 .8	.50 12.7	1.66 42.1	Cylindrical	.030 .76	.50 12.7	.63 15.9	See Load-Speed Chart	
BCFE 1 SB																
BCCFE 1 S											12					
BCCFE 1 SB											305					
BCF 1 1/8 S	1.125 28.58	+0/- .001 +0/- .03	.625 15.88	+0 / - .005 +0 / - .13	.4375 11.11	+ .001/-0 + .03/-0	1.00 25.4	.03 .8	.50 12.7	1.66 42.1	Cylindrical	N/A	N/A	N/A	See Load-Speed Chart	
BCF 1 1/8 SB																
BCCF 1 1/8 S											12					
BCCF 1 1/8 SB											305					
BCFE 1 1/8 S	1.125 28.58	+0/- .001 +0/- .03	.625 15.88	+0 / - .005 +0 / - .13	.4375 11.11	+ .001/-0 + .03/-0	1.00 25.4	.03 .8	.50 12.7	1.66 42.1	Cylindrical	.030 .76	.50 12.7	.63 15.9	See Load-Speed Chart	
BCFE 1 1/8 SB																
BCCFE 1 1/8 S											12					
BCCFE 1 1/8 SB											305					

Metric dimensions for reference only.  
 Not all parts are available from stock. Please contact customer service for availability (800) 626-2120.  
 For more information on bearing capabilities outside of our standard offering, please contact Application Engineering (800) 626-2093.

# Inch Cam Follower Bearings **McGILL**



## BCF, BCFE

Part No.	HC	HD	F	H	E	Ro	Housing Bore Diameter		Thread Type	Clamping Torque	Limiting Speed	WT
	Hole Center	Radial Hole Diameter	Axial Hole Dia or Fitting	Hex Hole	Min Boss Diameter	Outer Corner Radius				in-lb Nm	RPM	Bearing Weight
	(Ref)	(Ref)	(Ref)	(Ref)	(Ref)	(Ref)	Nom.	Tol.				lb kg
BCF 3/4 S						.02						
BCF 3/4 SB	.25	.09	.1875	.1875	.61	.4	.3753	+0.002/-0.003	3/8-24	95	See Load-Speed Chart	.07
BCCF 3/4 S	6.4	2.4	4.76	4.76	15.5		9.533	+0.005/-0.008				
BCCF 3/4 SB						N/A						.03
BCFE 3/4 S						.02						
BCFE 3/4 SB	.25	.09	.1875	.1875	.61	.4	.503	+0.001/-0.001	3/8-24	95	See Load-Speed Chart	.07
BCCFE 3/4 S	6.4	2.4	4.76	4.76	15.5		12.77	+0.025/-0.025				
BCCFE 3/4 SB						N/A						.03
BCF 7/8 S						.02						
BCF 7/8 SB	.25	.09	.1875	.1875	.61	.4	.3753	+0.002/-0.003	3/8-24	95	See Load-Speed Chart	.09
BCCF 7/8 S	6.4	2.4	4.76	4.76	15.5		9.533	+0.005/-0.008				
BCCF 7/8 SB						N/A						.04
BCFE 7/8 S						.02						
BCFE 7/8 SB	.25	.09	.1875	.1875	.61	.4	.503	+0.001/-0.001	3/8-24	95	See Load-Speed Chart	.09
BCCFE 7/8 S	6.4	2.4	4.76	4.76	15.5		12.77	+0.025/-0.025				
BCCFE 7/8 SB						N/A						.04
BCF 1 S						.03						
BCF 1 SB	.25	.09	.1875	.25	.78	.8	.4378	+0.002/-0.003	7/16-20	250	See Load-Speed Chart	.17
BCCF 1 S	6.4	2.4	4.76	6.4	19.8		11.120	+0.005/-0.008				
BCCF 1 SB						N/A						.08
BCFE 1 S						.03						
BCFE 1 SB	.25	.09	.1875	.25	.78	.8	.628	+0.001/-0.001	7/16-20	250	See Load-Speed Chart	.17
BCCFE 1 S	6.4	2.4	4.76	6.4	19.8		15.95	+0.025/-0.025				
BCCFE 1 SB						N/A						.08
BCF 1 1/8 S						.03						
BCF 1 1/8 SB	.25	.09	.1875	.25	.78	.8	.4378	+0.002/-0.003	7/16-20	250	See Load-Speed Chart	.19
BCCF 1 1/8 S	6.4	2.4	4.76	6.4	19.8		11.120	+0.005/-0.008				
BCCF 1 1/8 SB						N/A						.09
BCFE 1 1/8 S						.03						
BCFE 1 1/8 SB	.25	.09	.1875	.25	.78	.8	.628	+0.001/-0.001	7/16-20	250	See Load-Speed Chart	.19
BCCFE 1 1/8 S	6.4	2.4	4.76	6.4	19.8		15.95	+0.025/-0.025				
BCCFE 1 1/8 SB						N/A						.09

Metric dimensions for reference only.

Clamping torque is based on dry threads. If threads are lubricated, use half of value shown.