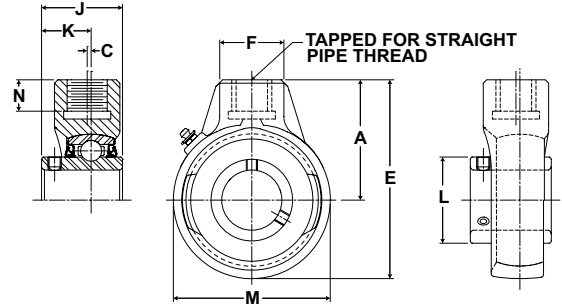


PN Gold Mounted Ball Bearings **SEALMASTER**®



- Duty:** Standard
- Housing:** Flouropolymer Coated Cast Iron
- Self-Alignment:** +/- 2 Degrees
- Lock:** Setscrew
- Seal:** HPS
- Temperature:** -20° to 220°F
- Grease:** Sealmaster GoldPlex-FG



CREHBF-PN Series Hanger Bearing External Lube Setscrew Locking

Bore Diameter inch	Part No.*	Brg. No.	Basic Dynamic Rating lb/N	Dimensions inch/mm								Pipe Tap** N.P.S.M.	N Thread Length	Unit Wt. lb/kg
				A	C	E	F	J	K	L	M			
1	CREHBF-PN16	PNM-16	4381	2 1/2	-	4 1/16	1 9/16	1 1/2	7/8	1 19/32	3 1/8	3/4-14	13/16	2.2
1 1/4	CREHBF-PN20R	PN-20R	19488	63.5		103.2	39.7	38.1	22.2	40.5	79.4			
1 1/4	CREHBF-PN20	PN-20	5782	2 3/4	-	4 9/16	1 9/16	1 11/16	1	1 55/64	3 5/8	3/4-14	3/4	3.1
1 3/8	CREHBF-PN22	PN-22	25720	69.9		115.9	39.7	42.9	25.4	47.2	92.1			
1 7/16	CREHBF-PN23	PNM-23	7340	2 7/8	3/32	4 3/4	1 9/16	1 15/16	1 3/16	2 1/16	3 3/4	3/4-14	3/4	3.4
1 1/2	CREHBF-PN24	PN-24	32650	73.0	2.4	120.7	39.7	49.2	30.2	52.4	95.3			
1 15/16	CREHBF-PN31	PN-31	7889	3 1/4	3/16	5 7/16	1 7/8	2 1/32	1 9/32	2 15/32	4 3/8	1-11 1/2	13/16	4.5
2	CREHBF-PN32R	PN-32R	35092	82.6	4.8	138.1	47.6	51.6	32.5	62.7	111.1			
2 3/16	CREHBF-PN35	PNM-35	11789	4	11/32	6 13/16	2 5/16	2 9/16	1 9/16	2 63/64	5 5/8	1 1/4-11 1/2	1 1/8	9
2 7/16	CREHBF-PN39	PN-39	52440	101.6	8.7	173.0	58.7	65.1	39.7	75.8	142.9			

*Housing is Flouropolymer coated cast iron and housing design does not allow for snap on end cap.

**Use Straight Pipe Thread.

For additional sizes and Skwezloc concentric locking collar availability contact customer service

Metric dimensions for reference only.

Not all parts are available from stock. Please contact customer service for availability (800) 626-2120.

For more information on bearing capabilities outside of our standard offering, please contact Application Engineering (800) 626-2093.