

# PRODUCT INFORMATION PACKET

Model No: 5K46MN4087X  
Catalog No: K1412  
1,1725,DP,56,3/60/208-230/460  
Fan and Blower



Regal and Marathon are trademarks of Regal Beloit Corporation or one of its affiliated companies.  
©2018 Regal Beloit Corporation, All Rights Reserved. MC017097E





### Nameplate Specifications

Output HP	<b>1 Hp</b>	Output KW	<b>0.75 kW</b>
Frequency	<b>60 Hz</b>	Voltage	<b>208-230/460 V</b>
Current	<b>3.6-3.8,1.9 A</b>	Speed	<b>1725 rpm</b>
Service Factor	<b>1.15</b>	Phase	<b>3</b>
Efficiency	<b>78.5 %</b>	Duty	<b>Continuous</b>
Insulation Class	<b>B</b>	Design Code	<b>B</b>
KVA Code	<b>L</b>	Frame	<b>56</b>
Enclosure	<b>Drip Proof</b>	Overload Protector	<b>AUTO</b>
Ambient Temperature	<b>40 °C</b>	Drive End Bearing Size	<b>6203</b>
Opp Drive End Bearing Size	<b>6203</b>	UL	<b>None</b>
CE	<b>N</b>	IP Code	<b>22</b>

### Technical Specifications

Starting Method	<b>N/R</b>	Poles	<b>4</b>
Rotation	<b>Counterclockwise/Clockwise</b>	Mounting	<b>Resilient Base</b>
Motor Orientation	<b>ANY</b>	Drive End Bearing	<b>BALL</b>
Opp Drive End Bearing	<b>BALL</b>	Frame Material	<b>Rolled Steel</b>
Frame Length	<b>6.55 in</b>	Thru-bolts Extension	<b>0</b>
Outline Drawing	<b>52A109511P2</b>	Connection Diagram	<b>113A423</b>

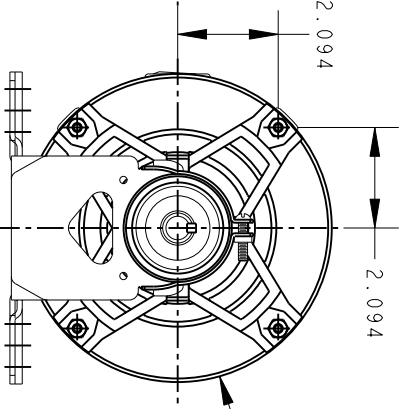
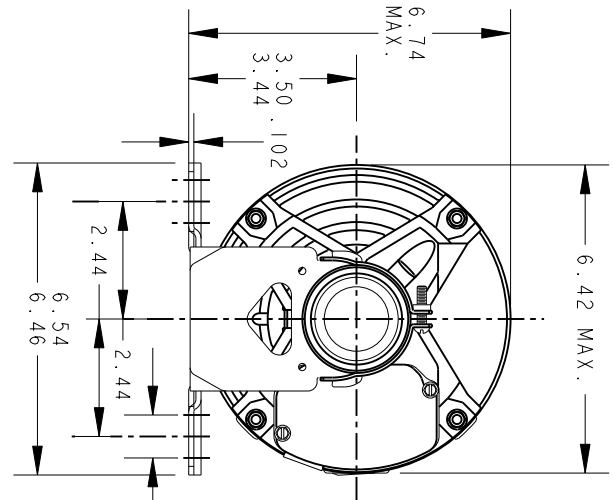
This is an uncontrolled document once printed or downloaded and is subject to change without notice. Date Created: 10/30/2018

THIRD ANGLE PROJECTION

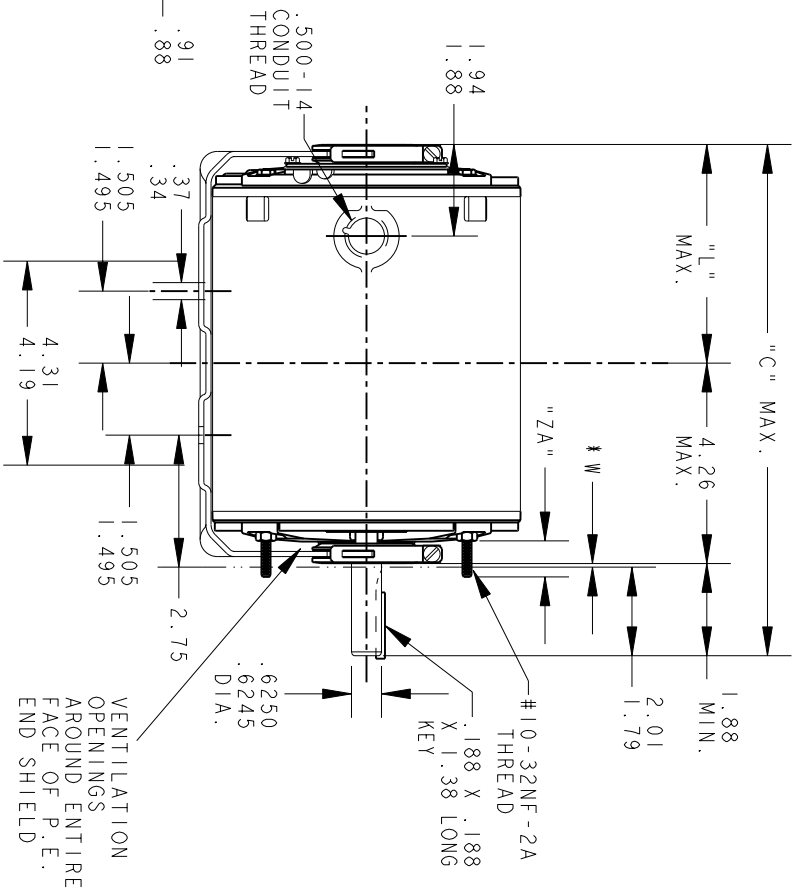


REVISIONS

REV.	DESCRIPTION	DATE	APPROVED
2	ADDED PART #4.	07/05/94	M.D. PAPE
3	CHG TO RBC FORMAT PER IS05-1777	03/16/06	SUDHA



VIEW OF P.E. END SHIELD



\*W IS A VARIABLE CLEARANCE DUE TO VARIATIONS IN PARTS AND ASSEMBLY

VENTILATION OPENINGS AROUND ENTIRE FACE OF P.E. END SHIELD

4	3	2	1	P
KH/K	KH/K	KH/K	KH/K	TYPE
49	49	46	46	GE
56	56	56	56	SIZE
12.01	11.48	10.88	10.88	NEMA "C"
5.75	5.22	4.62	4.62	FR. "L"
.62	.62	.62	.62	"ZA"

ALL DIMENSIONS ARE IN INCHES



REGAL-BELOTT CORPORATION

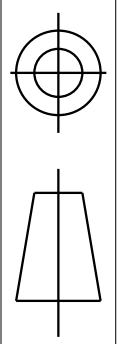
OUTLINE

GENERAL PURPOSE MOTOR - DRIP PROOF - BALL BEARING - RESILIENT BASE EXTENDED CLAMP SCREWS FMF - 40 FRAME REDESIGN

FOR ADDITIONAL INFO REFER TO:	QUALITY	M.A.M.	03/29/94
APPLIED PRACTICES	ISSUED		
DIMENSIONS ARE IN INCHES			
MATERIAL	SOLID MODEL: 52A109511		

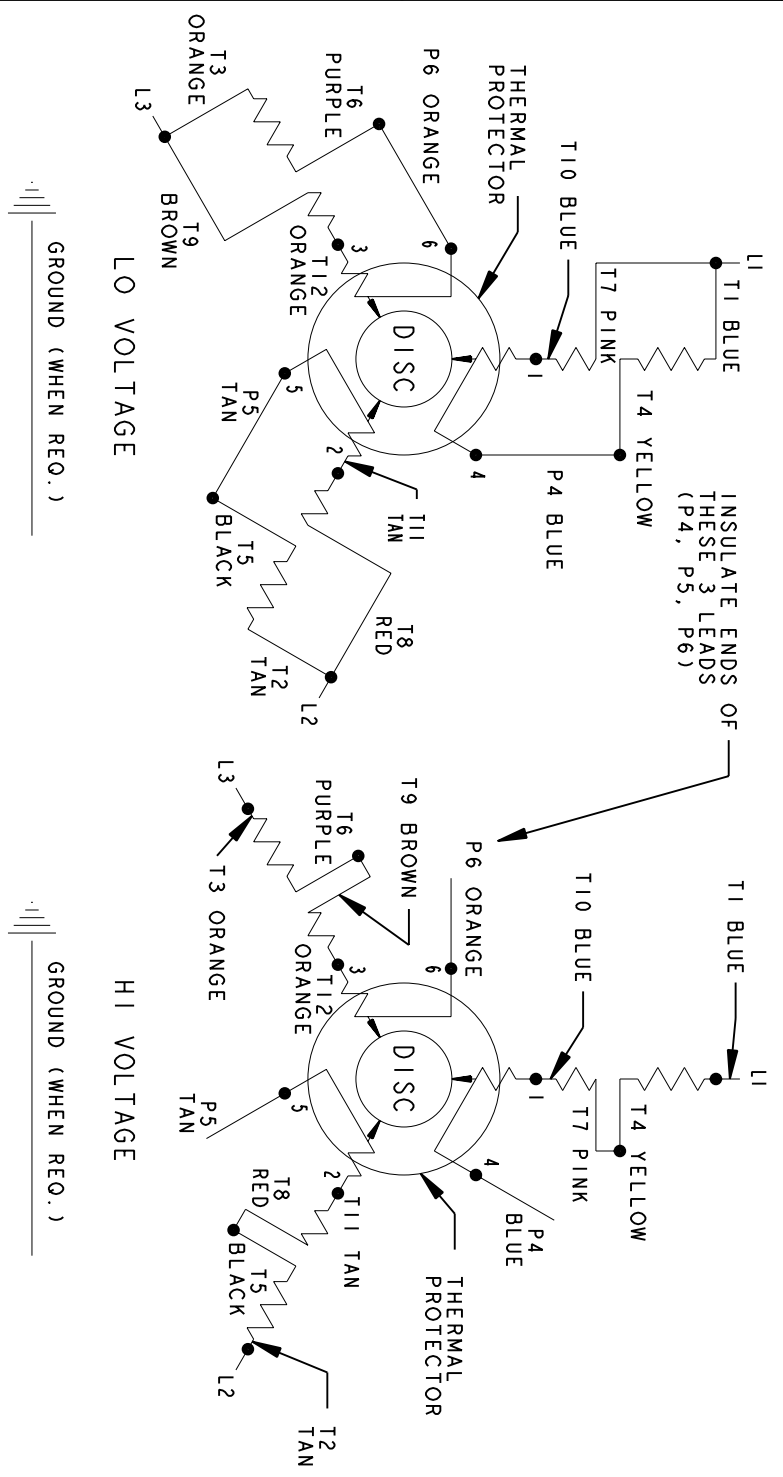
TITLE	SCALE: 0.250	REF. No.:	SHEET 1 of 1
SIZE DRAWING	A		
REV	52A109511		3

REV.	DESCRIPTION	DATE	APPROVED
7	LO VOLTAGE: "T8 RED" WAS "T3 RED"	09/25/92	BLJ
8	LABEL WAS 185178	04/04/95	M.A.M.
9	CHG TO RBC FORMAT PER IS05-1777	06/13/06	SUDHA



THIRD ANGLE PROJECTION

TYPE K - DUAL VOLTAGE - THREE PHASE -  
 I 2 LEAD WDG. - I 2 LEADS OUT - THERMAL PROTECTION



NOTE # 1 - TO REVERSE ROTATION, INTERCHANGE THE EXTERNAL CONNECTIONS TO ANY TWO LINE LEADS.

LABEL - NP185178AA

FOR ADDITIONAL INFO REFER TO:

APPLIED PRACTICES	SIGNATURES	DATE
DIMENSIONS ARE IN INCHES	G.A.HILLSMIER	01/05/56
TOLERANCE ON: 1 PL DECIMALS ± 0.1 2 PL DECIMALS ± 0.02 3 PL DECIMALS ± 0.005		
ANGLES ± 1.0		
FRACTIONS ±		
FINISH		
ISSUED	B.L.J.	05/12/92

**REGAL-BELOIT CORPORATION**

**DIAGRAM - CONNECTION**  
**TYPE K MOTORS**

MODEL	DATE
G.A.HILLSMIER	01/05/56
CHECKED	
ENGRG	
MFG	
QUALITY	
SOLID MODEL: 113A423	

SCALE: 1.000 REF. No. .

**113A423** REV 9

SHEET 1 of 1