

# PRODUCT INFORMATION PACKET



Model No: E104018.00  
Catalog No: E104018.00  
0.33 HP General Purpose Motor, 1 phase, 1200 RPM, 115/230 V, 56 Frame, ODP  
General Purpose Motors



Regal and Leeson are trademarks of Regal Rexnord Corporation or one of its affiliated companies.  
©2021 Regal Rexnord Corporation, All Rights Reserved. MC017097E



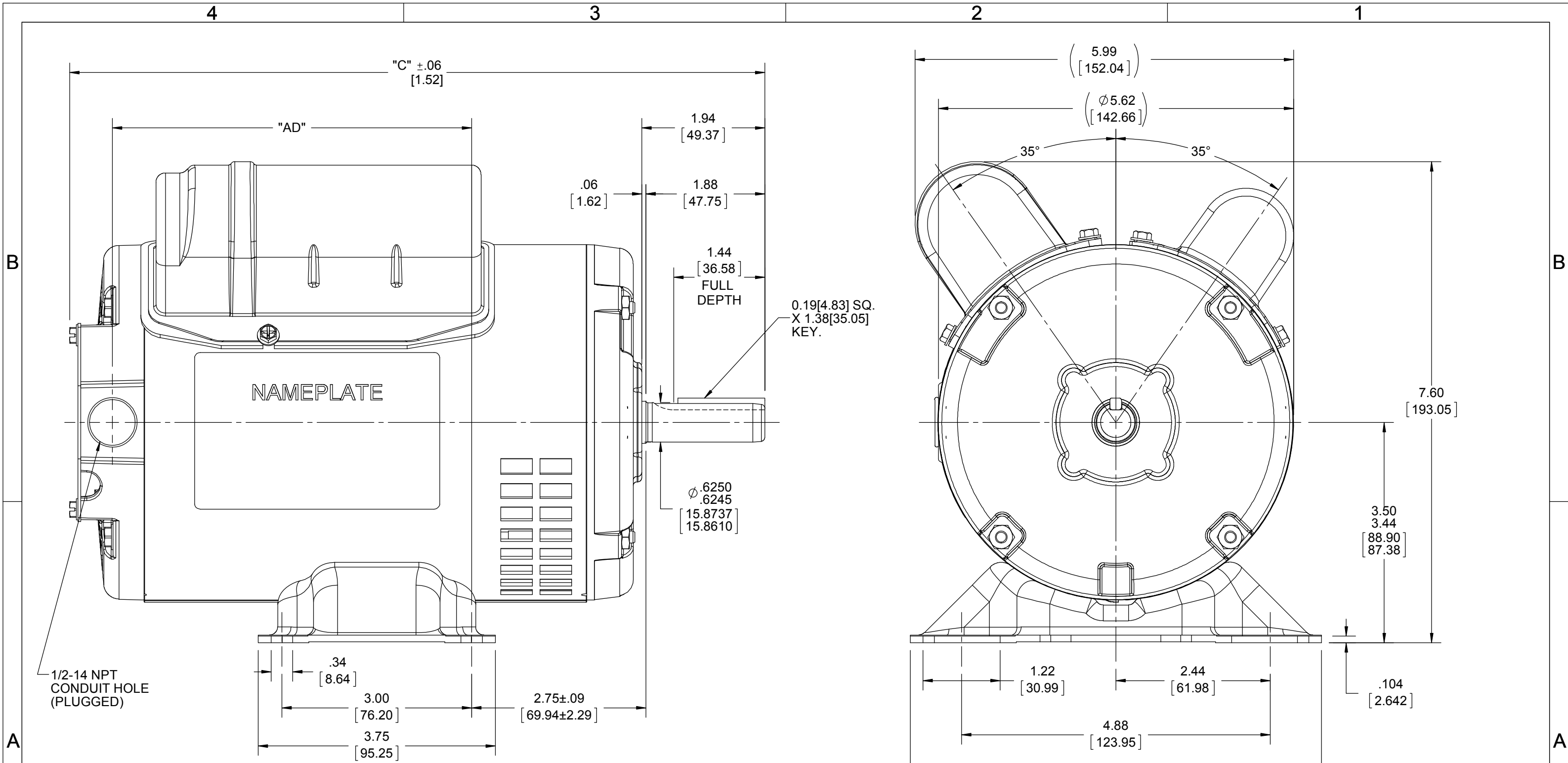


### Nameplate Specifications

Output HP	<b>0.33 Hp</b>	Output KW	<b>0.25 kW</b>
Frequency	<b>60 Hz</b>	Voltage	<b>115/230 V</b>
Current	<b>3.4/1.7 A</b>	Speed	<b>1140 rpm</b>
Service Factor	<b>1.35</b>	Phase	<b>1</b>
Efficiency	<b>66.6 %</b>	Power Factor	<b>94.3</b>
Duty	<b>Continuous</b>	Insulation Class	<b>B</b>
Design Code	<b>N</b>	KVA Code	<b>H</b>
Frame	<b>S56</b>	Enclosure	<b>Drip Proof</b>
Thermal Protection	<b>No</b>	Ambient Temperature	<b>40 °C</b>
Drive End Bearing Size	<b>6203</b>	Opp Drive End Bearing Size	<b>6203</b>
UL	<b>Recognized</b>	CSA	<b>Y</b>
CE	<b>Y</b>	IP Code	<b>22</b>
Number of Speeds	<b>1</b>		

### Technical Specifications

Electrical Type	<b>Capacitor Start Capacitor Run</b>	Starting Method	<b>Across The Line</b>
Poles	<b>6</b>	Rotation	<b>Selective Counterclockwise</b>
Resistance Main	<b>0 Ohms</b>	Mounting	<b>Rigid Base</b>
Motor Orientation	<b>Horizontal</b>	Drive End Bearing	<b>Ball</b>
Opp Drive End Bearing	<b>Ball</b>	Frame Material	<b>Rolled Steel</b>
Shaft Type	<b>NEMA 56</b>	Overall Length	<b>11.99 in</b>
Frame Length	<b>8.00 in</b>	Shaft Diameter	<b>0.625 in</b>
Shaft Extension	<b>1.88 in</b>	Assembly/Box Mounting	<b>F1 ONLY</b>
Outline Drawing	<b>SS404118-800</b>	Connection Drawing	<b>005054-15-REGAL</b>



DASH NO.	"C"	"AD"
550	9.48[240.79]	4.18[106.17]
575	9.73[247.14]	4.43[112.52]
600	9.98[253.49]	4.68[118.87]
625	10.23[259.84]	4.93[125.22]
650	10.48[266.19]	5.18[131.57]
675	10.73[272.54]	5.43[137.92]
700	10.98[278.89]	5.68[144.27]
725	11.23[285.24]	5.93[150.62]
750	11.48[291.59]	6.18[156.97]
800	11.98[304.29]	6.68[169.67]

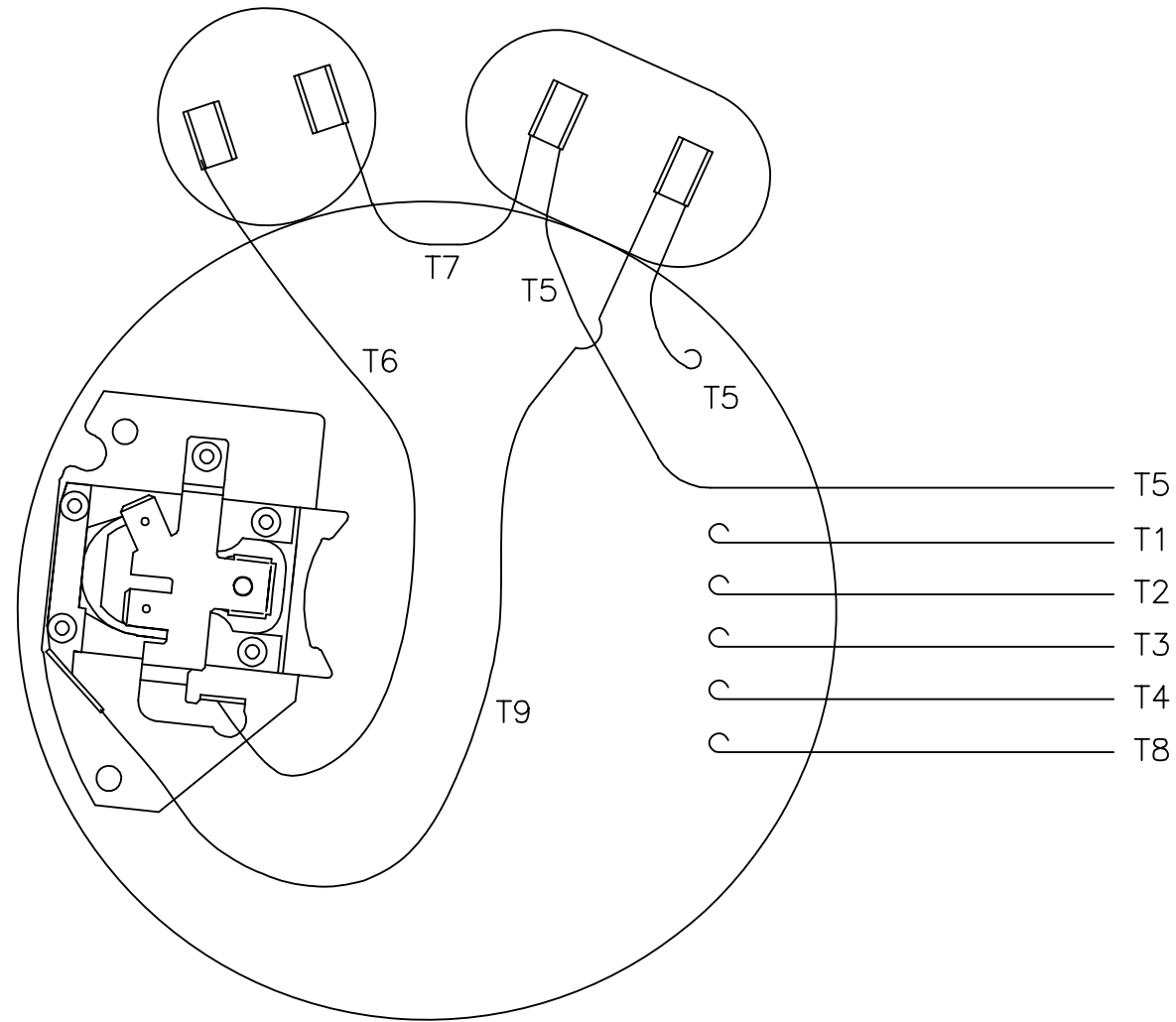
DRAWING REVISION F	REVISION BY S SAHOO	DATE 11/19/2018
ECO ECO-0160891	APPROVED BY S MACHARLA	DATE 01/29/2019
ECO DESCRIPTION <b>OUTLINE CONVERSION PROJECT</b> COPYRIGHT REGAL BELOIT AMERICA, INC. ALL RIGHTS RESERVED. PROPRIETARY AND CONFIDENTIAL INFORMATION - THIS DOCUMENT IS THE PROPERTY OF REGAL BELOIT AMERICA, INC. ("OWNER") AND CONTAINS OWNER'S PROPRIETARY INFORMATION. ANY PERSON, CORPORATION OR OTHER FIRM RECEIVING IT IS DEEMED, BY RECEIVING IT, TO AGREE THAT IT, AND/OR ANY PART OF IT, SHALL NOT BE DISCLOSED TO ANY PERSON, CORPORATION OR OTHER ENTITY, DUPLICATED, AND/OR USED, EXCEPT AS EXPRESSLY APPROVED IN WRITING IN ADVANCE BY OWNER. THIS DOCUMENT SHALL BE RETURNED TO OWNER UPON REQUEST. IT MAY BE SUBJECT TO CERTAIN RESTRICTIONS UNDER APPLICABLE EXPORT CONTROL LAWS AND REGULATIONS.		

TOLERANCES UNLESS OTHERWISE SPECIFIED:			
DEC.	INCH	mm	ANGLE
.X	±0.1	[±2.5]	±7° 30"
.XX	±0.03	[±0.76]	
.XXX	±0.005	[±0.127]	
.XXXX	±0.0005	[±0.0127]	
REMOVE BURRS & BREAK SHARP EDGES: .003/.015 [0.076/.381] X 45° CORNER FILLETS: R.02 [0.51] MACHINED SURFACES: 200 INCH/mm 5.1			
mm SHOWN IN [BRACKETS]			

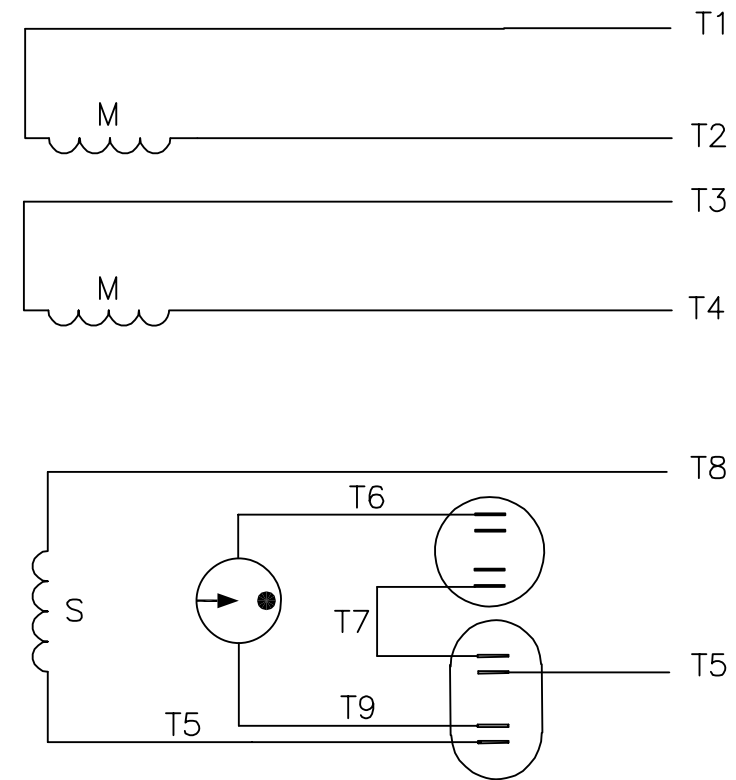
DRAWN BY PVR	REGAL™ Regal Beloit America, Inc.	
DATE 11/28/14	DESCRIPTION <b>OUTLINE</b> S56 FRAME RIGID MOUNT-DRIP PROOF	
APPROVED BY	MATERIAL	PROCESS/FINISH
DATE		
REFERENCE 031619	SIZE B	DRAWING NUMBER SS404118
THIRD ANGLE PROJECTION		SHEET 1 OF 1

005054-15-REGAL

VIEW FROM OUTSIDE OF MOTOR AT SWITCH END.



LINE LEADS



	ROTATION FACING LEAD END	L1	L2	JOIN
HIGH VOLT	C.C.W.	T1	T4 T5	T2,T3 T8
	C.W.	T1	T4 T8	T2,T3 T5
LOW VOLT	C.C.W.	T1 T3,T8	T2,T4 T5	
	C.W.	T1,T3 T5	T2,T4 T8	

TOLERANCES  
UNLESS SPECIFIED

DEC.	INCHES
.X	±.1
.XX	±.01
.XXX	±.005
.XXXX	±.0005
ANG	±1/2°



Regal Beloit America, Inc.

DRAWN JAH 11/21/14

CHK

APPD

TITLE EXTERNAL WIRING DIAGRAM  
TYPE "K" W/O PROTECTOR

SCALE 1=1

REF 005054-01

MAT'L. DECAL 004012

FMF 102368.00

NO.	REVISION	BY & DATE	CHK	ANG	FINISH

RFP  
DIST

CAD FILE 005054-15-REGAL

SIZE

DRAWING NO.

A

005054-15-REGAL

REV.

THIS DRAWING IN DESIGN AND DETAIL IS OUR PROPERTY AND MUST NOT BE USED EXCEPT  
IN CONNECTION WITH OUR WORK ALL RIGHTS OF DESIGN AND INVENTION ARE RESERVED  
THIS IS AN ELECTRONICALLY GENERATED DOCUMENT - DO NOT SCALE THIS PRINT



1051 CHEYENNE AVE.  
GRAFTON, WI 53024  
PH. 262-377-8810

**CERTIFICATION DATA SHEET**

**CONN. DIAGRAM:** A-005054-15-REGAL  
**OUTLINE:** A-SS404118-800  
**WINDING #:** BE48612 DR 3 A

**CATALOG #:** E104018.00  
**MOUNTING:** F1 ONLY

**TYPICAL MOTOR PERFORMANCE DATA**

HP	kW	SYNC. RPM	F.L. RPM	FRAME	ENCLOSURE	KVA CODE	DESIGN
1/3	0.25	1200	1140	S56	DP	H	N

PH	Hz	VOLTS	AMPS	START TYPE	DUTY	INSL	S.F.	AMB°C
1	60	115/230	3.4/1.7	ACROSS THE LINE	CONTINUOUS	B3	1.35	40

FULL LOAD EFF:	66.6	3/4 LOAD EFF:	65.1	1/2 LOAD EFF:	56.6	GTD. EFF		ELEC. TYPE	
FULL LOAD PF:	94.3	3/4 LOAD PF:	92.9	1/2 LOAD PF:	90.1	62		CAP START CAP RUN	

F.L. TORQUE	LOCKED ROTOR AMPS	L.R. TORQUE	B.D. TORQUE	F.L. RISE°C
24.3 OZ-FT	18.6 / 9.3	66.3 OZ-FT 273 %	48 OZ-FT 198 %	35

SOUND PRESSURE @ 3 FT.	SOUND POWER	ROTOR WK^2	MAX. WK^2	SAFE STALL TIME	STARTS / HOUR	APPROX. MOTOR WGT
0 dBA	10 dBA	0 LB-FT^2	0 LB-FT^2	0 SEC.	0	26 LBS.

**\*\*\* SUPPLEMENTAL INFORMATION \*\*\***

DE BRACKET TYPE	ODE BRACKET TYPE	MOUNT TYPE	ORIENTATION	SEVERE DUTY	HAZARDOUS LOCATION	DRIP COVER	SCREENS	PAINT
STANDARD	STANDARD	RIGID	HORIZONTAL	FALSE	NONE	FALSE	NONE	GREEN - LEESON WATTSaver

BEARINGS		GREASE	SHAFT TYPE	SPECIAL DE	SPECIAL ODE	SHAFT MATERIAL	FRAME MATERIAL
DE	ODE						
BALL	BALL	POLYREX EM	STANDARD 56	NONE	NONE	1144 STRESSPROOF (C-223)	ROLLED STEEL
6203	6203						

THERMO-PROTECTORS				THERMISTORS	CONTROL	SPACE HEATERS
THERMOSTATS	PROTECTORS	WDG RTDs	BRG RTDs			
NONE	NOT	NONE	NONE	NONE	FALSE	NONE VOLTS

\*  
N  
O  
T  
E  
S  
\*

<b>INVERTER TORQUE:</b> NONE
<b>INV. HP SPEED RANGE:</b> NONE
<b>ENCODER:</b> NONE NONE NONE NONE NONE PPR
<b>BRAKE:</b> NONE NONE NONE P/N NONE NONE NONE NONE FT-LB NONE V NONE Hz



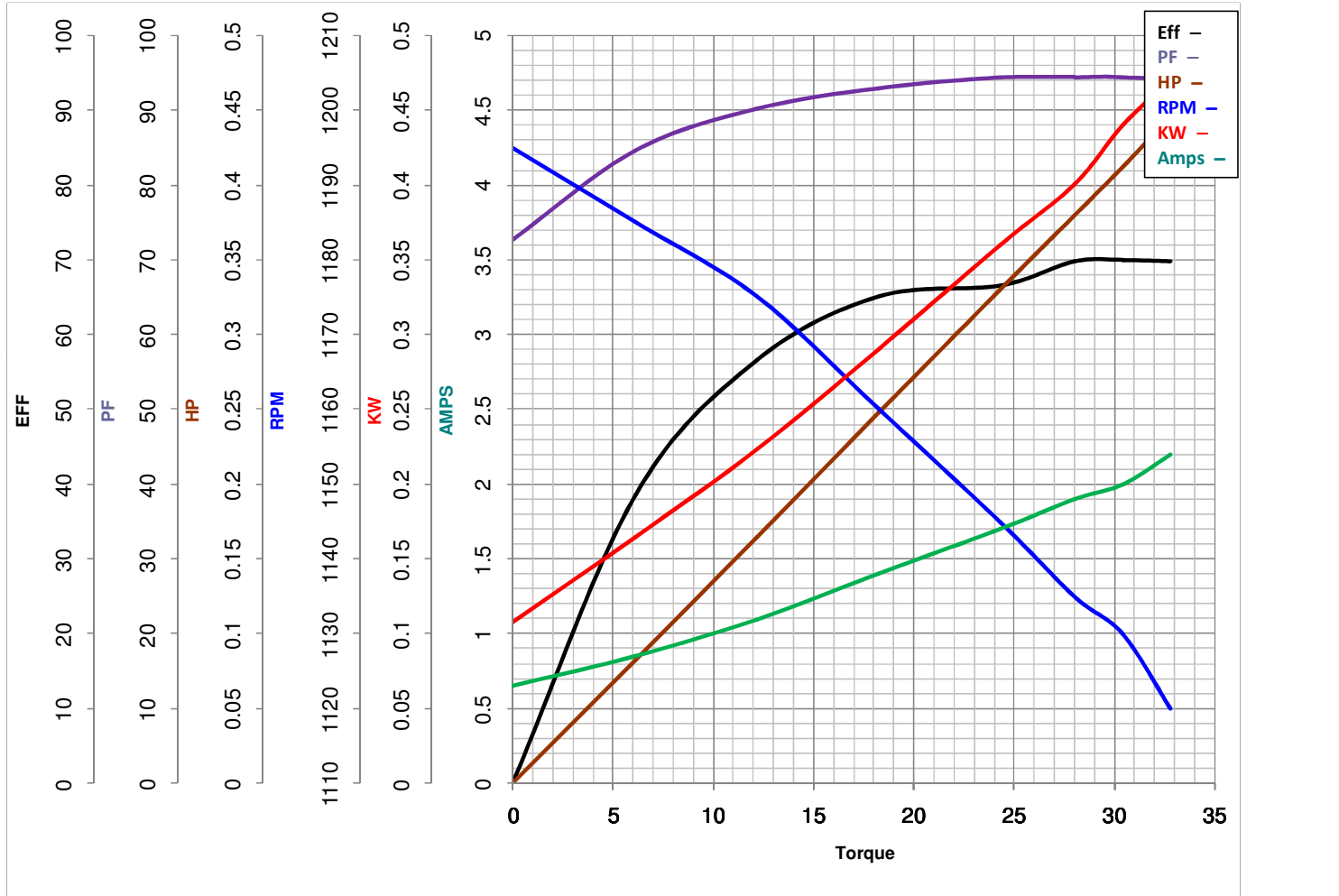
**LEESON ELECTRIC CORPORATION**  
 TYPICAL PERFORMANCE CURVE for AC MOTOR

Model No E104018.00

Curve at 230 Volts      HP 0.34      PHASE 1  
60 HZ  
0.33 HP      VOLTS 115/230

Catalog No E104018.00

HZ 60      RPM 1140



FL TORQUE	<u>24.3</u>	Oz.Ft	FL AMPS	<u>3.4/1.7</u>	
BD TORQUE	<u>48.0</u>	Oz.Ft	PU TORQUE	<u>62.3</u>	Oz.Ft
LR TORQUE	<u>66.3</u>	Oz.Ft	LR AMPS	<u>9.3</u>	
WINDING	BE48612-3		Date	3/27/2018	