

PRODUCT INFORMATION PACKET



Model No: 192203.00

Catalog No: 192203.00

LEESON® PASSPORT 1.50 HP General Purpose, 3 phase, 1800 RPM, 230/460 V, 90S Frame, TEFC



Regal and Leeson are trademarks of Regal Rexnord Corporation or one of its affiliated companies.

©2023 Regal Rexnord Corporation, All Rights Reserved. MC017097E



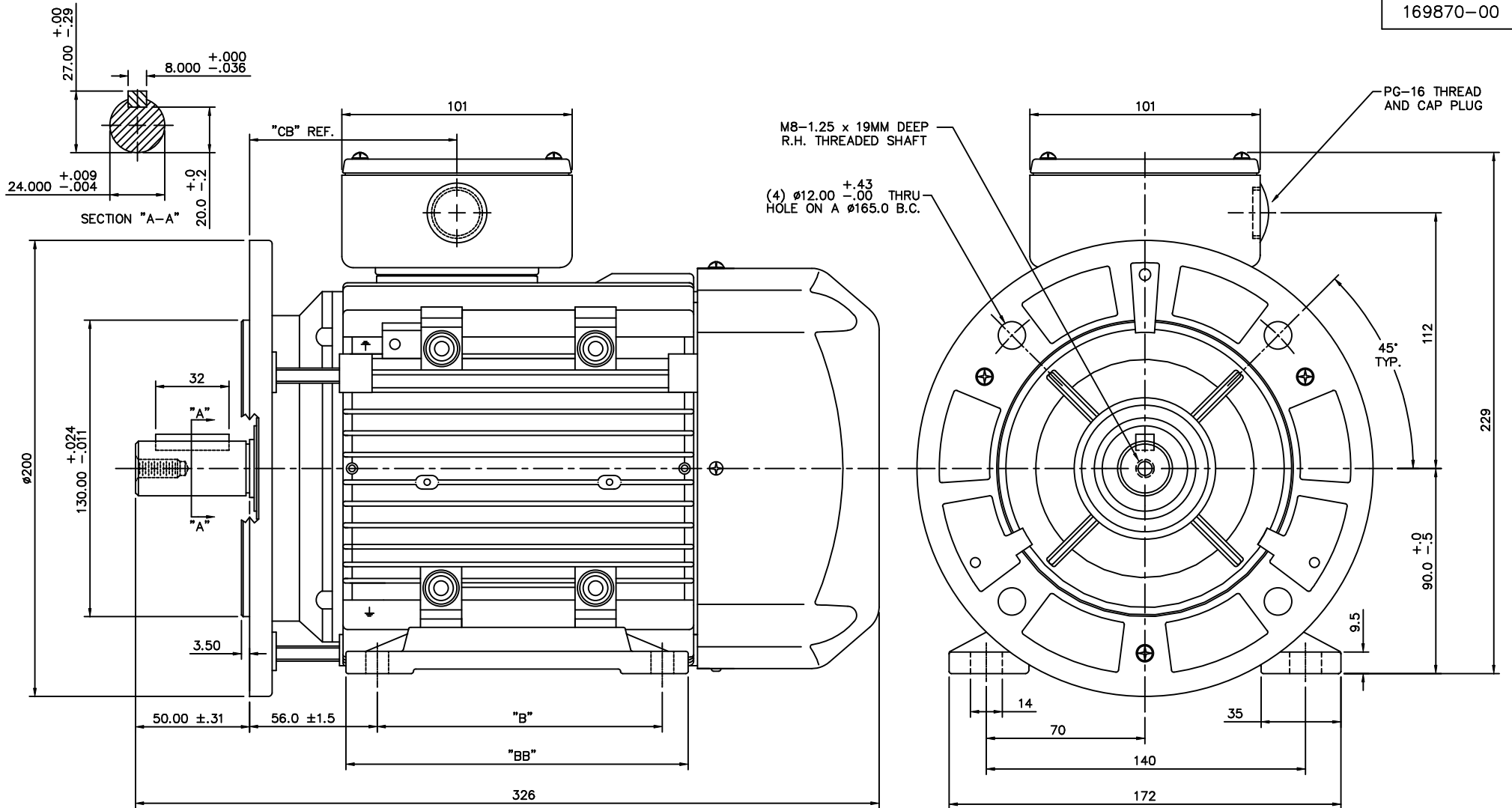


Nameplate Specifications

Phase	3	Output HP	1.50 & 1.50 Hp
Output KW	1.1 & 1.1 kW	Voltage	230/460 & 200/400 V
Speed	1745 & 1445 rpm	Service Factor	1.15 & 1.15
Frame	90S	Enclosure	Totally Enclosed Fan Cooled
Thermal Protection	No Protection	Efficiency	86.5 & 85.5 %
Ambient Temperature	40 °C	Frequency	60 & 50 Hz
Current	4.2/2.1 & 4.8/2.4 A	Power Factor	74.9
Duty	Continuous	Insulation Class	F
Design Code	B	KVA Code	J
Drive End Bearing Size	6205	Opp Drive End Bearing Size	6205
UL	Recognized	CSA	Y
CE	Y	IP Code	55
Number of Speeds	1		

Technical Specifications

Electrical Type	Squirrel Cage Induction Run	Starting Method	Across The Line
Poles	4	Rotation	Reversible
Resistance Main	0 Ohms	Mounting	Rigid Base
Motor Orientation	Horizontal	Drive End Bearing	Ball
Opp Drive End Bearing	Ball	Frame Material	Aluminum
Shaft Type	IEC	Overall Length	12.83 in
Frame Length	6.33 in	Shaft Diameter	1.000 in
Shaft Extension	1.96 in	Assembly/Box Mounting	F3
Outline Drawing	16987000	Connection Drawing	005465.01



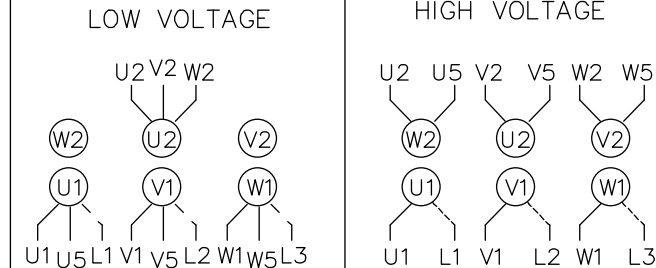
FRAME DESIGN	"B"	"BB"	"CB"
90L	125±0.7	150	91
90S	100±0.7	125	79
XXX	XXX	XXX	XXX

		TOLERANCES UNLESS SPECIFIED		LEESON	ELECTRIC MOTORS GEARMOTORS AND DRIVES	DRAWN ADS 02/01/02	
		DEC.	METRIC				CHK
		.X	±2.5			APPD	
		.XX	±.76	TITLE	METRIC OUTLINE, IMB35	SCALE 1=1.6	
		.XXX	±.127		IEC-90 FRAME RIGID W/B5 FLANGE	REF OSVC-300-567	
		.XXXX	±.0127	MAT'L	ALUMINUM	FMF LEESON STOCK	
NO.	REVISION	BY & DATE	CHK	ANG	FINISH	PREV	
			RFP		CAD FILE 16987000	SIZE B	
THIS DRAWING IN DESIGN AND DETAIL IS OUR PROPERTY AND MUST NOT BE USED EXCEPT IN CONNECTION WITH OUR WORK ALL RIGHTS OF DESIGN AND INVENTION ARE RESERVED THIS IS AN ELECTRONICALLY GENERATED DOCUMENT - DO NOT SCALE THIS PRINT						DRAWING NO.	169870-00
						REV.	



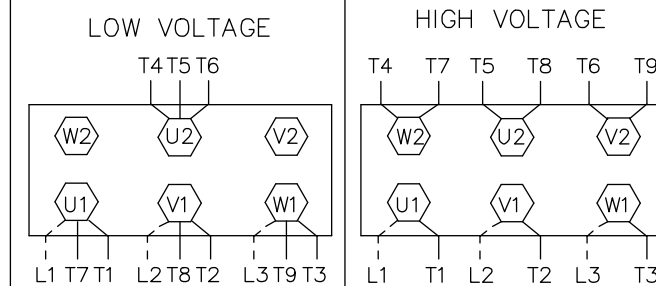
REF. DECAL (IEC) 080644
REF. DECAL (NEMA) 080446

IEC MARKINGS



LINE VOLTAGE	L1	L2	L3	JOIN		
TERMINAL	U1	V1	W1	W2	U2	V2
LOW	U1,U5	V1,V5	W1,W5	---	U2,V2,W2	---
HIGH	U1	V1	W1	U2,U5	V2,V5	W2,W5

NEMA MARKINGS



LINE VOLTAGE	L1	L2	L3	JOIN		
TERMINAL	U1	V1	W1	W2	U2	V2
LOW	T1, T7	T2, T8	T3, T9	---	T4,T5,T6	---
HIGH	T1	T2	T3	T4, T7	T5, T8	T6, T9

TOLERANCES UNLESS SPECIFIED

DEC.	INCHES
.X	±.1
.XX	±.01
.XXX	±.005
.XXXX	±.0005
ANG	±1/2'



ELECTRIC MOTORS
GEARMOTORS
AND DRIVES

DRAWN MGM 12/3/02

CHK

APPD

SCALE 1=1

REF 00537703

FMF

PREV

TITLE EXTERNAL WIRING DIAGRAM
3 PHASE - DUAL VOLTAGE - W/TERM BLOCK

MAT'L. IEC/NEMA MARKINGS

FINISH THERMAL TRANSFER

NO.	REVISION	BY & DATE	CHK	ANG
01	NEMA LV CONNECTION WAS INCORRECT	RLW 8/4/03		

THIS DRAWING IN DESIGN AND DETAIL IS OUR PROPERTY AND MUST NOT BE USED EXCEPT IN CONNECTION WITH OUR WORK ALL RIGHTS OF DESIGN AND INVENTION ARE RESERVED THIS IS AN ELECTRONICALLY GENERATED DOCUMENT - DO NOT SCALE THIS PRINT

RFP	
DIST	

CAD FILE 00546501

SIZE	DRAWING NO.	REV.
A	005465-01	01



CERTIFICATION DATA SHEET

**1051 CHEYENNE AVE.
GRAFTON, WI 53024
PH. 262-377-8810**

CONN. DIAGRAM: 005465.01

CATALOG #: 192203.00

OUTLINE: 16987000

MOUNTING: F3

WINDING #: QT9046 FR 3 A

TYPICAL MOTOR PERFORMANCE DATA

HP	kW	SYNC. RPM	F.L. RPM	FRAME	ENCLOSURE	KVA CODE	DESIGN
1 1/2&1 1/2	1.12&1.12	1800	1745&1445	D90S	TEFC	J	B

PH	Hz	VOLTS	AMPS	START TYPE	DUTY	INSL	S.F.	AMB°C
3	60/50	230/460&200/400	4.2/2.1&4.8/2.4	ACROSS THE LINE	CONTINUOUS	F5	1.15/1.15	40

FULL LOAD EFF:	86.5&85.5	3/4 LOAD EFF:	89.7	1/2 LOAD EFF:	88.3	GTD. EFF		ELEC. TYPE	
FULL LOAD PF:	74.9&74.5	3/4 LOAD PF:	69.4	1/2 LOAD PF:	56.8	0		SQ CAGE IND RUN	

F.L. TORQUE	LOCKED ROTOR AMPS	L.R. TORQUE	B.D. TORQUE	F.L. RISE°C
4,507 LB-FT	28.6 / 14.3	9.86 LB-FT 219 %	13.51 LB-FT 300 %	21

SOUND PRESSURE @ 3 FT.	SOUND POWER	ROTOR WK^2	MAX. WK^2	SAFE STALL TIME	STARTS / HOUR	APPROX. MOTOR WGT
0 dBA	10 dBA	0 LB-FT^2	0 LB-FT^2	10 SEC.	2	0 LBS.

***** SUPPLEMENTAL INFORMATION *****

DE BRACKET TYPE	ODE BRACKET TYPE	MOUNT TYPE	ORIENTATION	SEVERE DUTY	HAZARDOUS LOCATION	DRIP COVER	SCREENS	PAINT
FF-FLANGE-165	STANDARD	RIGID	HORIZONTAL	FALSE	NONE	FALSE	NONE	BLUE - LEESON (ENAMEL)

BEARINGS		GREASE	SHAFT TYPE	SPECIAL DE	SPECIAL ODE	SHAFT MATERIAL	FRAME MATERIAL
DE	ODE						
BALL	BALL	POLYREX EM	STANDARD IEC	NONE	NONE	1045 HOT ROLLED (C-204)	ALUMINUM
6205	6205						

THERMO-PROTECTORS				THERMISTORS	CONTROL	SPACE HEATERS
THERMOSTATS	PROTECTORS	WDG RTDs	BRG RTDs			
NONE	NOT	NONE	NONE	NONE	FALSE	NONE VOLTS

*
N
O
T
E
S

INVERTER TORQUE: NONE
INV. HP SPEED RANGE: NONE
ENCODER: NONE
NONE NONE
NONE NONE PPR
BRAKE: NONE NONE
NONE P/N NONE
NONE NONE
NONE FT-LB NONE V NONE HZ



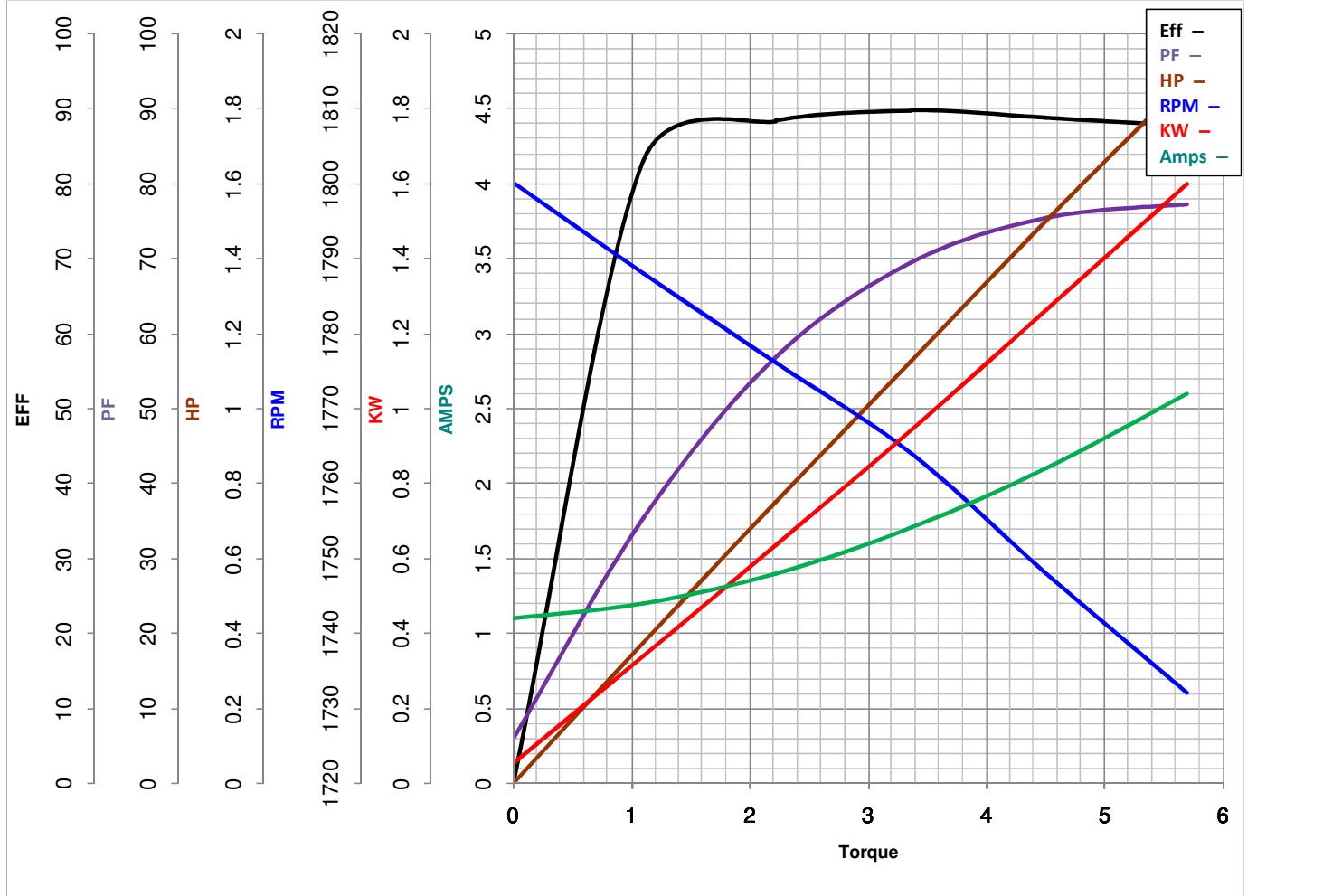
LEESON ELECTRIC CORPORATION
TYPICAL PERFORMANCE CURVE for AC MOTOR

Model No 192203.00

Curve at 460 Volts HP 1.5&1.5 PHASE 3
60 HZ
1.5 HP VOLTS 230/460&200/400

Catalog No 192203.00

HZ 60&50 RPM 1745&1445



Torque in Lb.Ft

FL TORQUE 4.507 Lb.Ft
BD TORQUE 13.5 Lb.Ft
LR TORQUE 9.86 Lb.Ft

FL AMPS 4.2/2.1
PU TORQUE 9.4 Lb.Ft
LR AMPS 14.3

WINDING QT9046-3

Date 5/23/2018

EC Declaration of Conformity

The undersigned representing
the manufacturer:

Regal Beloit America
100 East Randolph St.
Wausau, WI 54401

and the authorized representative
established within the Community:

Marathon Electric UK
6F Thistleton Road Ind. Estate
Market Overton
Oakham, Rutland LE15 7PP UK

are committed to providing customers with products that comply with applicable regulations and international protocols to which they are subject, including the requirements of the European Parliament Directive on the Harmonization of the laws relating to electrical equipment designed for use within certain voltage limits (2014/35/EU).

Regal Beloit America declares that the following product(s), to which this declaration relates, are in conformity with the relevant sections of the EC standards listed below.

This statement supersedes any statements previously issued pertaining to the product(s) listed below and is subject to change without notice.

Model No : 192203.00

(Model No. may contain prefix and/or suffix characters)

Catalog No : 192203.00

Rework No : N/A

Directives :

Low Voltage Directive 2014/35/EU

Harmonized Standards Used :

EN 60034-1: 2010 (IEC 60034-1: 2010)

EN 60034-5: 2001/A1:2007 (IEC 60034-5: 2000/A1:2006)

Authorized Representative:



Michael A. Logsdon
Vice President, Technology

Authorized Representative in the Community:



Julian Clark
Marketing Engineer

Created on 09/06/2022

CE 22