

PRODUCT INFORMATION PACKET



Model No: 132461.00
Catalog No: 132461.00
Special Voltage Motor, 3 HP, 3 Ph, 60 Hz, 575 V, 1800 RPM, 182TC Frame, TEFC



Regal and Leeson are trademarks of Regal Rexnord Corporation or one of its affiliated companies.
©2022 Regal Rexnord Corporation, All Rights Reserved. MC017097E





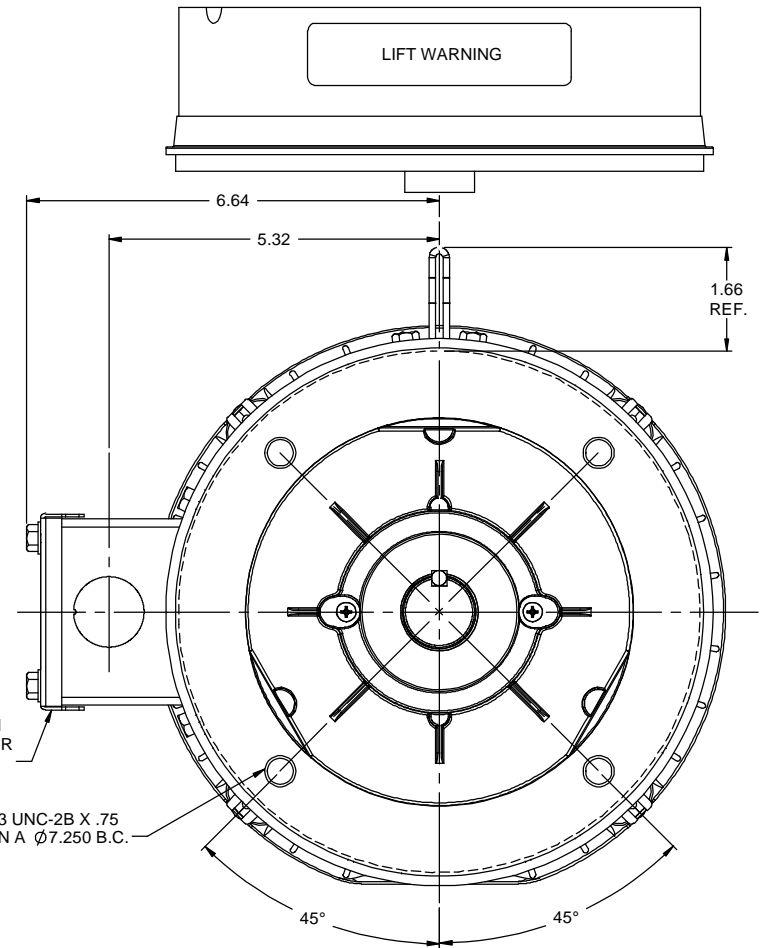
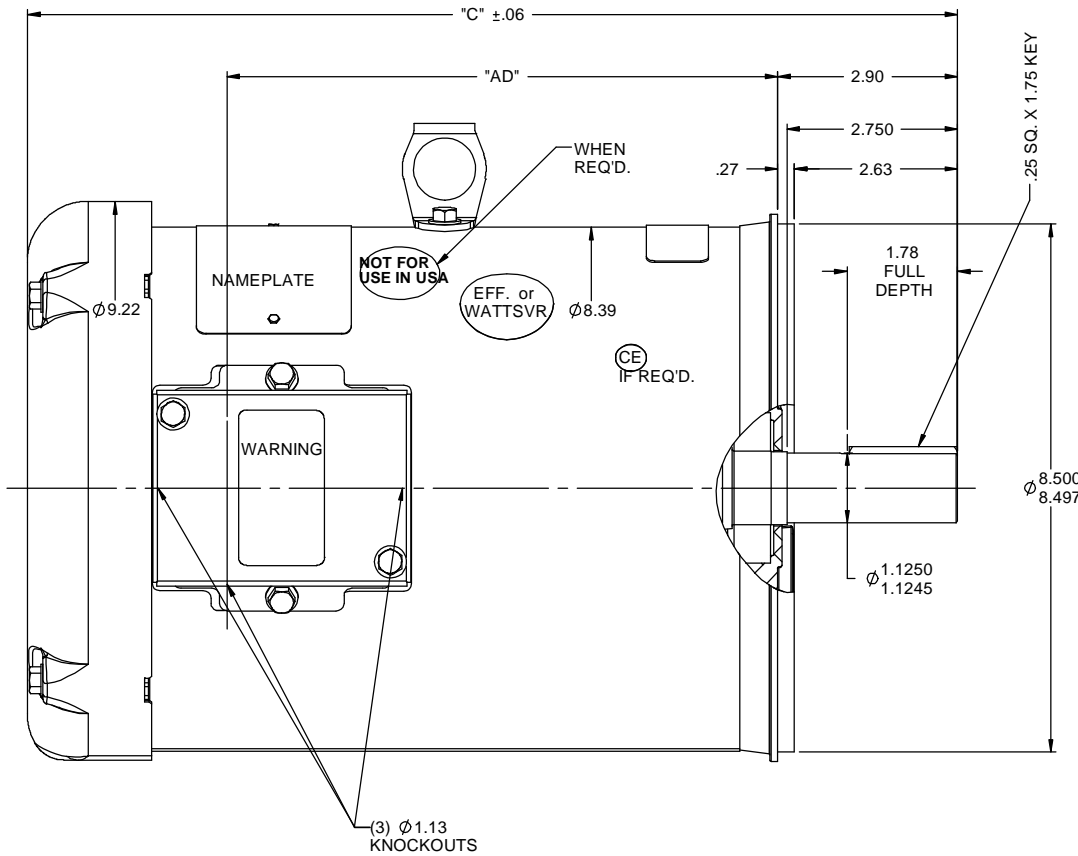
Nameplate Specifications

Output HP	3 Hp	Output KW	2.2 kW
Frequency	60 Hz	Voltage	575 V
Current	3.1 A	Speed	1770 rpm
Service Factor	1.15	Phase	3
Efficiency	89.5 %	Power Factor	80.5
Duty	Continuous	Insulation Class	F
Design Code	B	KVA Code	K
Frame	182TC	Enclosure	Totally Enclosed Fan Cooled
Thermal Protection	No Protection	Ambient Temperature	40 °C
Drive End Bearing Size	6206	Opp Drive End Bearing Size	6205
UL	Recognized	CSA	Y
CE	Y	IP Code	43
Number of Speeds	1		

Technical Specifications

Electrical Type	Squirrel Cage Induction Run	Starting Method	Across The Line
Poles	4	Rotation	Reversible
Resistance Main	6.08 Ohms	Mounting	Round
Motor Orientation	Horizontal	Drive End Bearing	Ball
Opp Drive End Bearing	Ball	Frame Material	Rolled Steel
Shaft Type	T	Overall Length	13.97 in
Frame Length	8.50 in	Shaft Diameter	1.125 in
Shaft Extension	2.75 in	Assembly/Box Mounting	F1 ONLY
Connection Drawing	005102.01	Outline Drawing	035518-850

RBC PROPRIETARY AND CONFIDENTIAL INFORMATION
 This document is the property of REGAL BELOIT CORPORATION ("RBC") including its subsidiaries and divisions and contains proprietary information of RBC. This document is loaned on the express condition that neither it nor the information contained therein shall be disclosed to others without the express written consent of RBC, and that the information shall be used by the recipient only as approved expressly by RBC. This document shall be returned to RBC upon its request. This document may be subject to certain restrictions under U.S. export control laws and regulations.



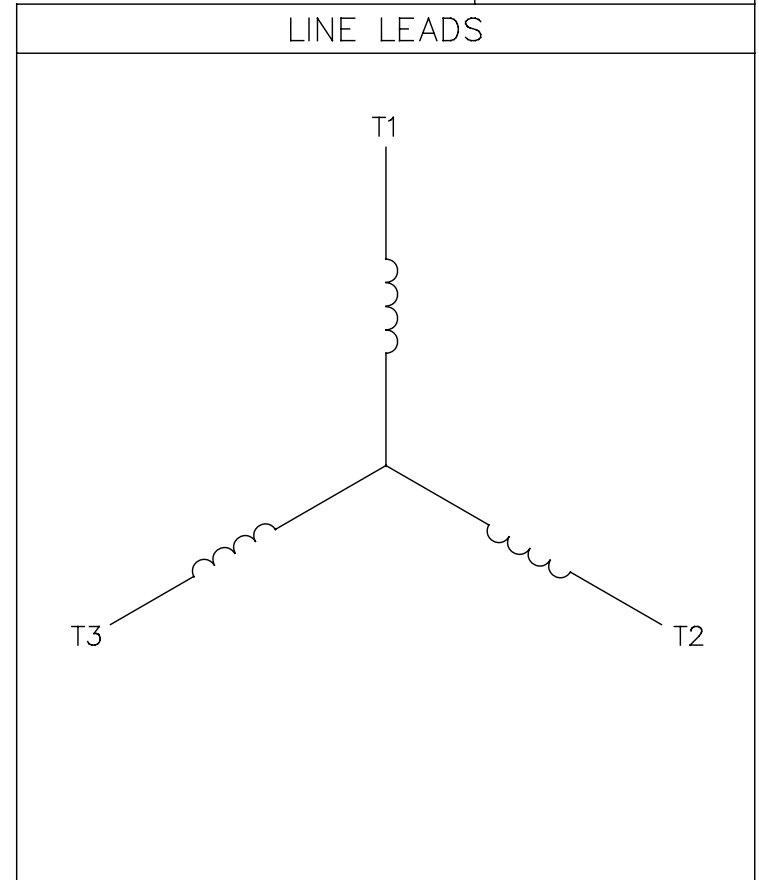
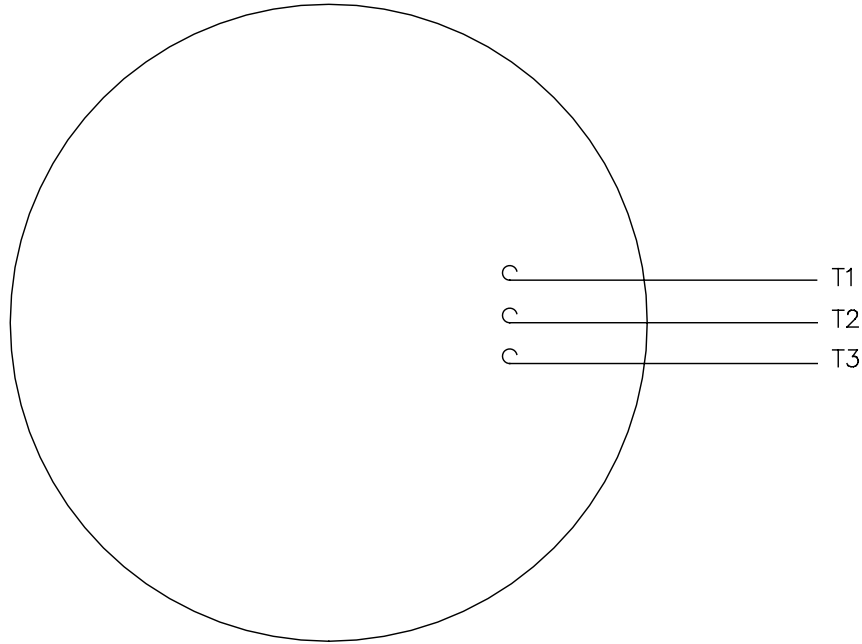
GASKETS THROUGHOUT
 MAXIMUM FACE RUNOUT TO BE .004 T.I.R.
 MAXIMUM PILOT ECCENTRICITY TO BE .004 T.I.R.
 PERMISSIBLE SHAFT RUNOUT TO BE .002 T.I.R.

DASH NO.	"C"	"AD"
750	12.97	6.88
800	13.47	7.38
850	13.97	7.88
900	14.47	8.38
950	14.97	8.88
1000	15.47	9.38
1050	15.97	9.88
1100	16.47	10.38
1150	16.97	10.88

		TOLERANCES UNLESS SPECIFIED				DRAWN RDW 4/18/07	
		DEC	INCHES			CHK	
		X	±.1	TITLE OUTLINE - 180TC FRAME		APPR SW 4/18/07	
		XX	±.03	TEFC - "C" FACE		SCALE 1:2	
		XXX	±.005	MATL GENERAL PURPOSE		REF 035452	
- UPDATED & REDRAWN IN SOLIDWORKS		LST 12/17/2009	XXXX	±.0005	FINISH		FMF
NO	REVISION	BY & DATE	CHK	LANG	±1/2°	PREV	PAGE OF
THIRD ANGLE PROJECTION		RFP		NETWORK FILE NAME		SIZE	DRAWING NO
						B	035518
							REV
							-

005102-01

VIEW FROM OUTSIDE OF MOTOR AT SWITCH END.



CONNECT LEADS AS FOLLOWS
FOR FOUR CONDUCTOR CORD ()

CORD	L1 (RED)	L2 (WHITE)	L3 (BLACK)	(GREEN)
MOTOR	T1	T2	T3	GROUND

				TOLERANCES UNLESS SPECIFIED		Regal Beloit America, Inc.			DRAWN JRW 9/11/75			
				DEC.	INCHES				CHK			
				.X	±.1	APPD JCW 9/11/75		SCALE 1=1				
08	UPDATED TO REGAL LOGO	SAJ 06/26/15	AJY	.XX	±.01	TITLE EXTERNAL WIRING DIAGRAM TYPE "T" W/O PROTECTOR			REF W-T6343-6			
07	UPDATED TO CURRENT STANDARDS	DBT 5/30/97		.XXX	±.005				MAT'L. DECAL - 004169		FMF 6T17FB7	
06	REDRAWN ON CAD; ADDED DECAL NUMBER	SAW 1/24/95		.XXXX	±.0005				FINISH		PREV	
NO.	REVISION	BY & DATE	CHK	ANG	±1/2"							
THIS DRAWING IN DESIGN AND DETAIL IS OUR PROPERTY AND MUST NOT BE USED EXCEPT IN CONNECTION WITH OUR WORK ALL RIGHTS OF DESIGN AND INVENTION ARE RESERVED THIS IS AN ELECTRONICALLY GENERATED DOCUMENT - DO NOT SCALE THIS PRINT				RFP 5/1/02		CAD FILE 00510201		SIZE A	DRAWING NO. 005102-01		REV. 08	
				DIST BRF-NLV								



CERTIFICATION DATA SHEET

**1051 CHEYENNE AVE.
GRAFTON, WI 53024
PH. 262-377-8810**

CATALOG #: 132461.00

CONN. DIAGRAM: 005102.01

OUTLINE: 035518-850

MOUNTING: F1 ONLY

WINDING #: T84174 FR 4

TYPICAL MOTOR PERFORMANCE DATA

HP	kW	SYNC. RPM	F.L. RPM	FRAME	ENCLOSURE	KVA CODE	DESIGN
3	2.24	1800	1770	182TC	TEFC	K	B

PH	Hz	VOLTS	AMPS	START TYPE	DUTY	INSL	S.F.	AMB°C
3	60	575	3.1	ACROSS THE LINE	CONTINUOUS	F4	1.15	40

FULL LOAD EFF:	89.5	3/4 LOAD EFF:	89.6	1/2 LOAD EFF:	87.7	GTD. EFF		ELEC. TYPE	
FULL LOAD PF:	80.5	3/4 LOAD PF:	73.6	1/2 LOAD PF:	33.9	0		SQ CAGE IND RUN	

F.L. TORQUE	LOCKED ROTOR AMPS	L.R. TORQUE	B.D. TORQUE	F.L. RISE°C
8.9 LB-FT	27	22 LB-FT 244 %	35.2 LB-FT 391 %	39

SOUND PRESSURE @ 3 FT.	SOUND POWER	ROTOR WK^2	MAX. WK^2	SAFE STALL TIME	STARTS / HOUR	APPROX. MOTOR WGT
0 dBA	10 dBA	0.383 LB-FT^2	0 LB-FT^2	10 SEC.	0	0 LBS.

***** SUPPLEMENTAL INFORMATION *****

DE BRACKET TYPE	ODE BRACKET TYPE	MOUNT TYPE	ORIENTATION	SEVERE DUTY	HAZARDOUS LOCATION	DRIP COVER	SCREENS	PAINT
C-FACE	STANDARD	ROUND	HORIZONTAL	FALSE	NONE	FALSE	NONE	GREEN - LEESON WATTS AVER

BEARINGS		GREASE	SHAFT TYPE	SPECIAL DE	SPECIAL ODE	SHAFT MATERIAL	FRAME MATERIAL
DE	ODE						
BALL	BALL	POLYREX EM	T	NONE	NONE	NONE	ROLLED STEEL
6206	6205						

THERMO-PROTECTORS				THERMISTORS	CONTROL	SPACE HEATERS
THERMOSTATS	PROTECTORS	WDG RTDs	BRG RTDs			
NONE	NOT	NONE	NONE	NONE	FALSE	NONE VOLTS

*
N
O
T
E
S

INVERTER TORQUE: NONE
INV. HP SPEED RANGE: NONE
ENCODER: NONE
NONE NONE
NONE NONE PPR
BRAKE: NONE NONE
NONE P/N NONE
NONE NONE
NONE FT-LB NONE V NONE Hz

Data Sheet

Date: 1/19/2018

132461.00



Data @ 575 V

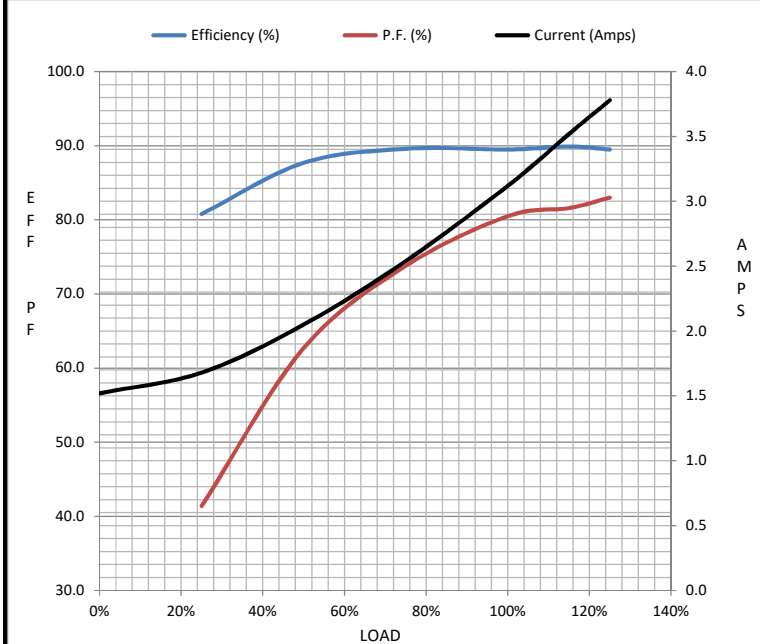
Motor Load Data

Load	0%	25%	50%	75%	100%	115%	125%	LR
Current (Amps)	1.52	1.68	2.05	2.54	3.1	3.5	3.8	26.8
Torque (ft-lb)	0.00	2.20	4.4	6.6	8.9	10.3	11.2	22.5
RPM	1800	1792	1785	1777	1770	1.766	1755	0
Efficiency (%)		80.8	87.7	89.6	89.5	89.9	89.5	
P.F. (%)	6.9	41.4	62.7	73.8	80.5	81.6	83.0	0.0

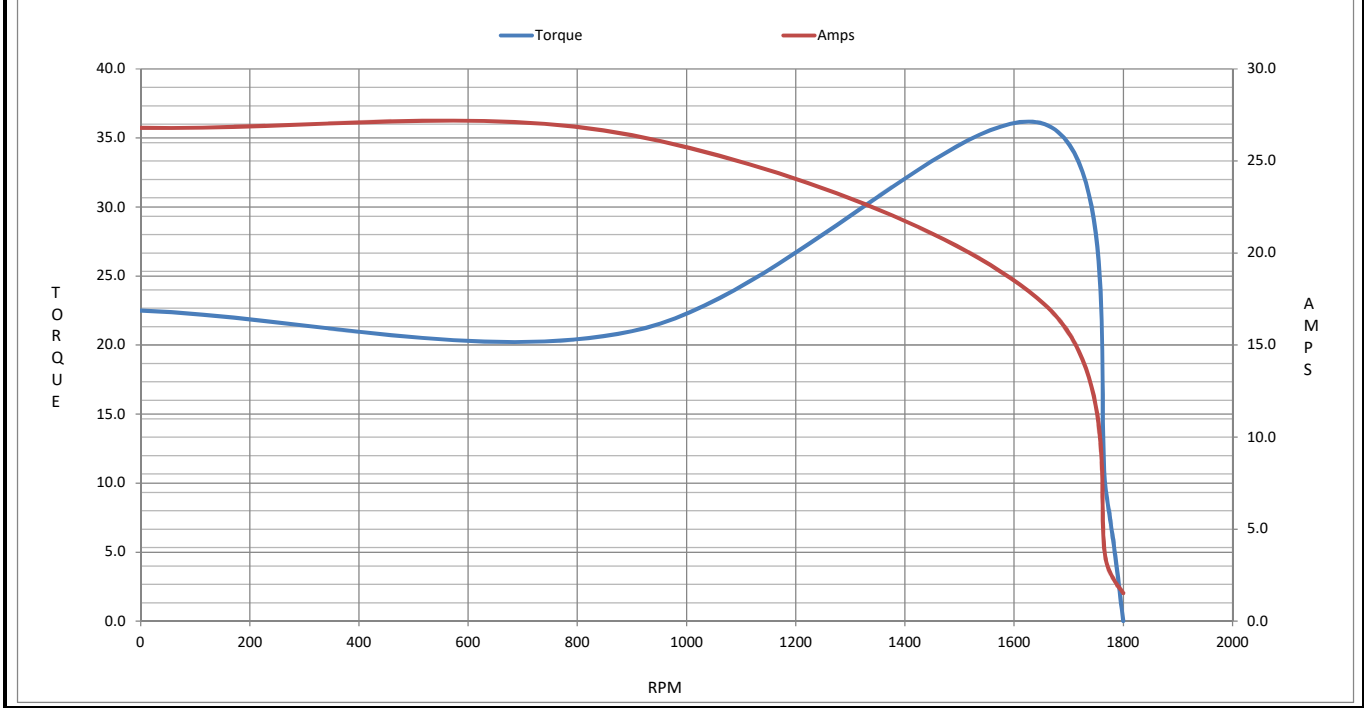
Motor Speed Data

	LR	Pull-Up	BD	Rated	Idle
Speed (RPM)	0	900	1656	1770	1800
Current (Amps)	26.8	26.4	17.2	3.1	1.52
Torque (ft-lb)	22.5	21.0	36.0	8.9	0.00

Information Block				
HP	3.0			
Sync. RPM	1800			
Frame	182			
Enclosure	TEFC			
Construction	TFW			
Voltage	575 V			
Frequency	60 Hz			
Design	B			
LR Code letter	K			
Service Factor	1.15			
Temp Rise @ FL	40 °C			
Duty	CONT			
Ambient	40 °C			
Elevation	1,000 feet			
Rotor/Shaft wk ²	0.38 Lb-Ft ²			
Ref Wdg	T84174 FR			
Sound Pressure @ 1M	0 dBA			
VFD Rating	NONE			
Outline Dwg	035518-850			
Conn. Diag	005102.01			
Additional Specifications:				
0				
0				
EQUIV CKT (OHMS / PHASE)				
R1	R2	X1	X2	Xm
0.0000	0.0000	0.0000	0.0000	0.0000



Speed - Torque Curve



EC Declaration of Conformity

The undersigned representing
the manufacturer:

Regal Beloit America
100 East Randolph St.
Wausau, WI 54401

and the authorized representative
established within the Community:

Marathon Electric UK
6F Thistleton Road Ind. Estate
Market Overton
Oakham, Rutland LE15 7PP UK

are committed to providing customers with products that comply with applicable regulations and international protocols to which they are subject, including the requirements of the European Parliament Directive on the Harmonization of the laws relating to electrical equipment designed for use within certain voltage limits (2014/35/EU).

Regal Beloit America declares that the following product(s), to which this declaration relates, are in conformity with the relevant sections of the EC standards listed below.

This statement supersedes any statements previously issued pertaining to the product(s) listed below and is subject to change without notice.

Model No : 132461.00

(Model No. may contain prefix and/or suffix characters)

Catalog No : 132461.00

Rework No : N/A

Directives :

Low Voltage Directive 2014/35/EU

Harmonized Standards Used :

EN 60034-1: 2010 (IEC 60034-1: 2010)

EN 60034-5: 2001/A1:2007 (IEC 60034-5: 2000/A1:2006)

Authorized Representative:



Michael A. Logsdon
Vice President, Technology

Authorized Representative in the Community:



Julian Clark
Marketing Engineer

Created on 09/01/2022

CE 22