

PRODUCT INFORMATION PACKET



Model No: 101013.00

Catalog No: 101013.00

General Purpose Motor, 0.33 & 0.33 HP, 3 Ph, 60 & 50 Hz, 208-230/460 & 208-230/460 V,
3600 & 3000 RPM, 48 Frame, TENV



Regal and Leeson are trademarks of Regal Rexnord Corporation or one of its affiliated companies.

©2023 Regal Rexnord Corporation, All Rights Reserved. MC017097E



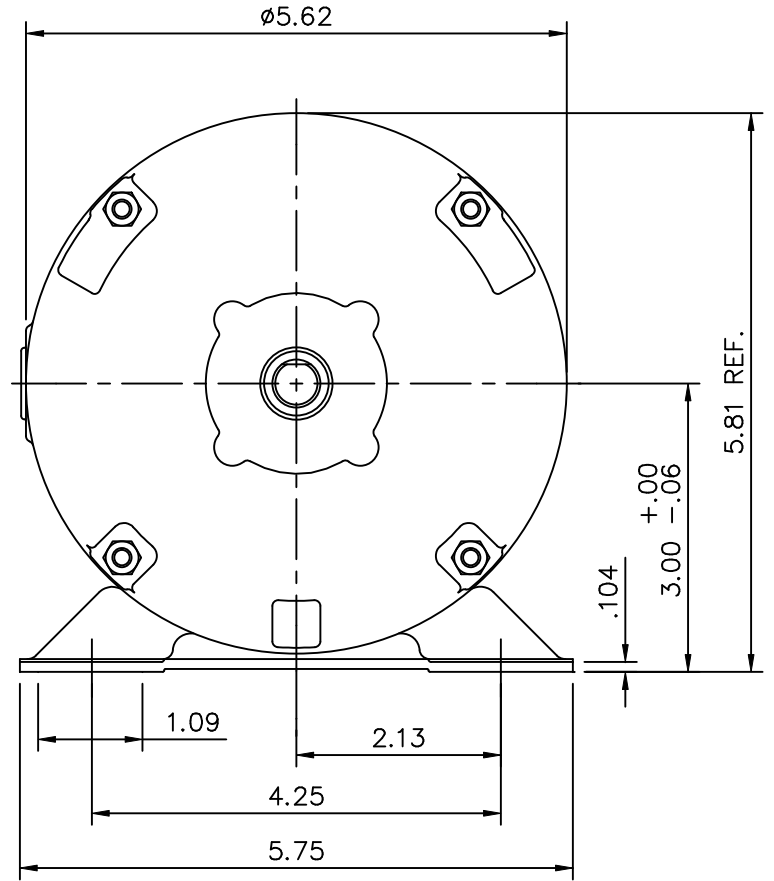
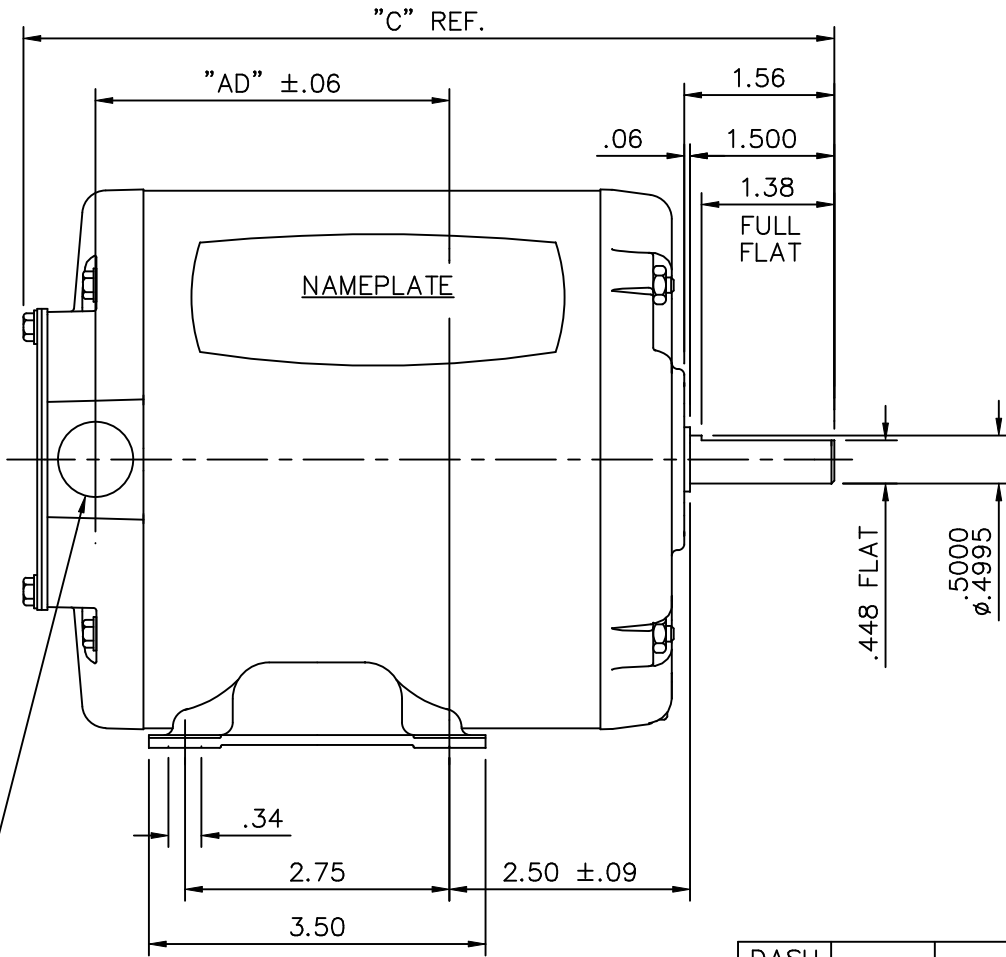


Nameplate Specifications

| | | | |
|------------------------|---------------------------|----------------------------|---------------------------------|
| Phase | 3 | Output HP | 0.33 & 0.33 Hp |
| Output KW | 0.25 & 0.25 kW | Voltage | 208-230/460 & 208-230/460 V |
| Speed | 3450 & 2850 rpm | Service Factor | 1.15 & 1.15 |
| Frame | 48 | Enclosure | Totally Enclosed Non Ventilated |
| Thermal Protection | No Protection | Efficiency | 72 & 72 % |
| Ambient Temperature | 40 °C | Frequency | 60 & 50 Hz |
| Current | 1.2-1.2/.6 & 1.5-1.4/.7 A | Power Factor | 72 |
| Duty | Continuous | Insulation Class | B |
| Design Code | NO DESIGN CODE | KVA Code | N |
| Drive End Bearing Size | 6203 | Opp Drive End Bearing Size | 6203 |
| UL | Recognized | CSA | Y |
| CE | N | IP Code | 43 |
| Number of Speeds | 1 | | |

Technical Specifications

| | | | |
|-----------------------|-----------------------------|-----------------------|-----------------|
| Electrical Type | Squirrel Cage Induction Run | Starting Method | Across The Line |
| Poles | 2 | Rotation | Reversible |
| Resistance Main | 0 Ohms | Mounting | Rigid Base |
| Motor Orientation | Horizontal | Drive End Bearing | Ball |
| Opp Drive End Bearing | Ball | Frame Material | Rolled Steel |
| Shaft Type | NEMA 48 | Overall Length | 8.62 in |
| Frame Length | 5.00 in | Shaft Diameter | 0.500 in |
| Shaft Extension | 1.5 in | Assembly/Box Mounting | F1 ONLY |
| Outline Drawing | 031804-500 | Connection Drawing | 005010.01 |



| DASH NO. | "C" | "AD" |
|----------|------|------|
| 450 | 8.12 | 3.43 |
| 475 | 8.37 | 3.68 |
| 500 | 8.62 | 3.93 |
| 525 | 8.87 | 4.18 |
| 550 | 9.12 | 4.43 |
| 575 | 9.37 | 4.68 |
| 600 | 9.62 | 4.93 |

1/2-14 NPT
CONDUIT HOLE
(PLUGGED)

GASKETS THROUGHOUT

TOLERANCES
UNLESS SPECIFIED

DEC. INCHES

.X ±.1

.XX ±.03

.XXX ±.005

.XXXX ±.0005

ANG ±1/2°



ELECTRIC MOTORS
GEARMOTORS
AND DRIVES

DRAWN PG 02/17/05

CHK

APPD PG 02/17/05

SCALE 1=2

REF 031086

FMF 101013.00

PREV

TITLE
OUTLINE - 48 FRAME
RIGID MOUNT - TENV

MAT'L.

FINISH

| NO. | REVISION | BY & DATE | CHK | ANG |
|-----|----------|-----------|-----|-----|
| | | | | |

THIS DRAWING IN DESIGN AND DETAIL IS OUR PROPERTY AND MUST NOT BE USED EXCEPT IN CONNECTION WITH OUR WORK ALL RIGHTS OF DESIGN AND INVENTION ARE RESERVED THIS IS AN ELECTRONICALLY GENERATED DOCUMENT - DO NOT SCALE THIS PRINT

RFP

DIST

CAD FILE 031804

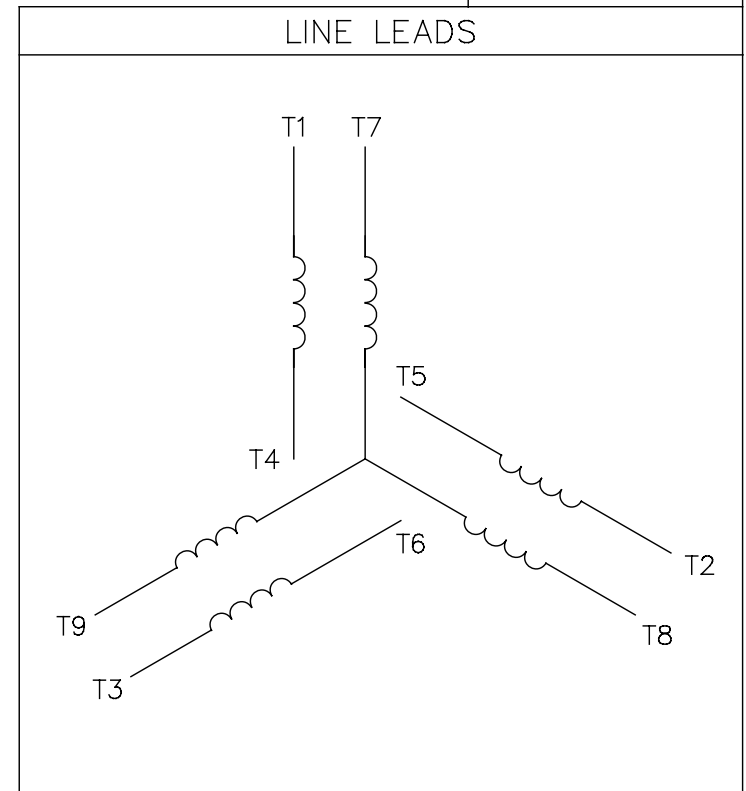
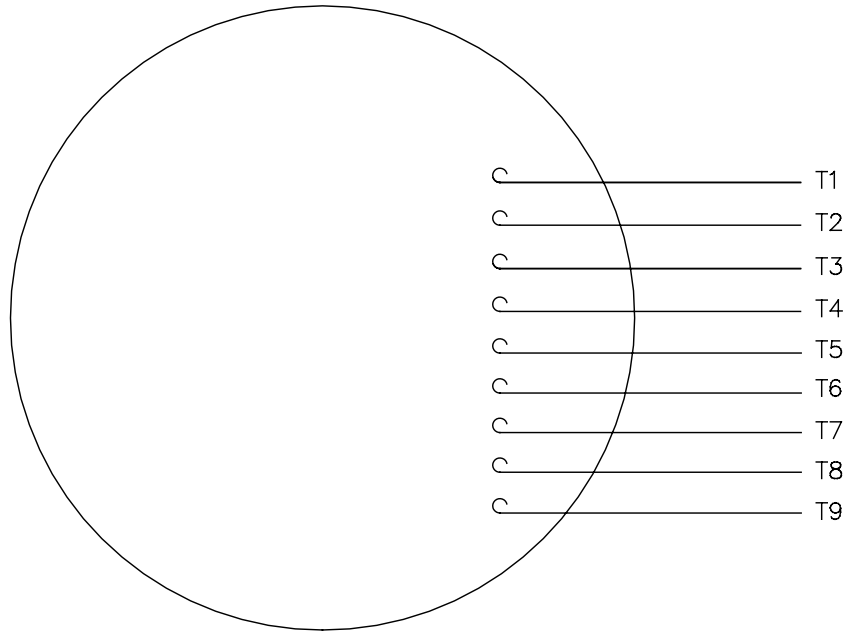
SIZE DRAWING NO.

A 031804

REV.

005010-01

VIEW FROM OUTSIDE OF MOTOR AT SWITCH END.



| VOLTAGE | L1 | L2 | L3 | JOIN & INSULATE |
|---------|-------|-------|-------|-------------------------------|
| HIGH | T1 | T2 | T3 | (T4,T7) (T5,T8) (T6,T9) |
| LOW | T1,T7 | T2,T8 | T3,T9 | T4,T5,T6 |

TOLERANCES
UNLESS SPECIFIED

DEC. INCHES

.X ±.1

.XX ±.01

.XXX ±.005

.XXXX ±.0005

NO. REVISION BY & DATE CHK ANG ±1/2"



DRAWN RDW 04/12/02

CHK

APPD

SCALE 1=1

REF FIG.2-51

FMF

PREV

| | | | | | | |
|-----|-----------------------|--------------|-----|-------|--------|--------|
| A | UPDATED TO REGAL LOGO | SAJ 06/26/15 | AJY | .XXXX | ±.0005 | MAT'L. |
| NO. | REVISION | BY & DATE | CHK | ANG | ±1/2" | FINISH |

TITLE
EXTERNAL WIRING DIAGRAM
3 PHASE W/O PROTECTOR
DECAL - 004014

THIS DRAWING IN DESIGN AND DETAIL IS OUR PROPERTY AND MUST NOT BE USED EXCEPT IN CONNECTION WITH OUR WORK ALL RIGHTS OF DESIGN AND INVENTION ARE RESERVED THIS IS AN ELECTRONICALLY GENERATED DOCUMENT - DO NOT SCALE THIS PRINT

RFP 04/12/02
DIST BRF-NLV

CAD FILE 00501001

| | | |
|------|-------------|------|
| SIZE | DRAWING NO. | REV. |
| A | 005010-01 | A |



**1051 CHEYENNE AVE.
GRAFTON, WI 53024
PH. 262-377-8810**

CERTIFICATION DATA SHEET

CATALOG #: 101013.00

CONN. DIAGRAM: 005010.01

OUTLINE: 031804-500

MOUNTING: F1 ONLY

WINDING #: T55234 NR 3 A

TYPICAL MOTOR PERFORMANCE DATA

| HP | kW | SYNC. RPM | F.L. RPM | FRAME | ENCLOSURE | KVA CODE | DESIGN |
|---------|-----------|-----------|-----------|-------|-----------|----------|----------------|
| 1/3&1/3 | 0.25&0.25 | 3600 | 3450&2850 | 48 | TENV | N | NO DESIGN CODE |

| PH | Hz | VOLTS | AMPS | START TYPE | DUTY | INSL | S.F. | AMB°C |
|----|-------|-------------------------|-----------------------|-----------------|------------|------|-----------|-------|
| 3 | 60/50 | 208-230/460&208-230/460 | 1.2-1.2/.6&1.5-1.4/.7 | ACROSS THE LINE | CONTINUOUS | B4 | 1.15/1.15 | 40 |

| FULL LOAD EFF: | 72&72 | 3/4 LOAD EFF: | 69.4 | 1/2 LOAD EFF: | 59.5 | GTD. EFF | ELEC. TYPE |
|----------------|-------|---------------|------|---------------|------|----------|-----------------|
| FULL LOAD PF: | 72&64 | 3/4 LOAD PF: | 72.6 | 1/2 LOAD PF: | 65.1 | 0 | SQ CAGE IND RUN |

| F.L. TORQUE | LOCKED ROTOR AMPS | L,R. TORQUE | B,D. TORQUE | F.L. RISE°C |
|-------------|-------------------|------------------|------------------|-------------|
| 8 OZ-FT | 10 / 5 | 27.5 OZ-FT 344 % | 38.5 OZ-FT 481 % | 0 |

| SOUND PRESSURE @ 3 FT. | SOUND POWER | ROTOR WK^2 | MAX. WK^2 | SAFE STALL TIME | STARTS / HOUR | APPROX. MOTOR WGT |
|------------------------|-------------|---------------|-----------|-----------------|---------------|-------------------|
| 0 dBA | 10 dBA | 0.015 LB-FT^2 | 0 LB-FT^2 | 10 SEC. | 0 | 0 LBS. |

***** SUPPLEMENTAL INFORMATION *****

| DE BRACKET TYPE | ODE BRACKET TYPE | MOUNT TYPE | ORIENTATION | SEVERE DUTY | HAZARDOUS LOCATION | DRIP COVER | SCREENS | PAINT |
|-----------------|------------------|------------|-------------|-------------|--------------------|------------|---------|------------------------|
| STANDARD | STANDARD | RIGID | HORIZONTAL | FALSE | NONE | FALSE | NONE | BLUE - LEESON (ENAMEL) |

| BEARINGS | | GREASE | SHAFT TYPE | SPECIAL DE | SPECIAL ODE | SHAFT MATERIAL | FRAME MATERIAL |
|----------|------|------------|-------------|------------|-------------|--------------------------|----------------|
| DE | ODE | | | | | | |
| BALL | BALL | POLYREX EM | STANDARD 48 | NONE | NONE | 1144 STRESSPROOF (C-223) | ROLLED STEEL |
| 6203 | 6203 | | | | | | |

| THERMO-PROTECTORS | | | | THERMISTORS | CONTROL | SPACE HEATERS |
|-------------------|------------|----------|----------|-------------|---------|---------------|
| THERMOSTATS | PROTECTORS | WDG RTDs | BRG RTDs | | | |
| NONE | NOT | NONE | NONE | NONE | FALSE | NONE VOLTS |

*
N
O
T
E
S

| |
|----------------------------------|
| INVERTER TORQUE: NONE |
| INV. HP SPEED RANGE: NONE |
| ENCODER: NONE |
| NONE NONE |
| NONE NONE PPR |
| BRAKE: NONE NONE |
| NONE P/N NONE |
| NONE NONE |
| NONE FT-LB NONE V NONE Hz |



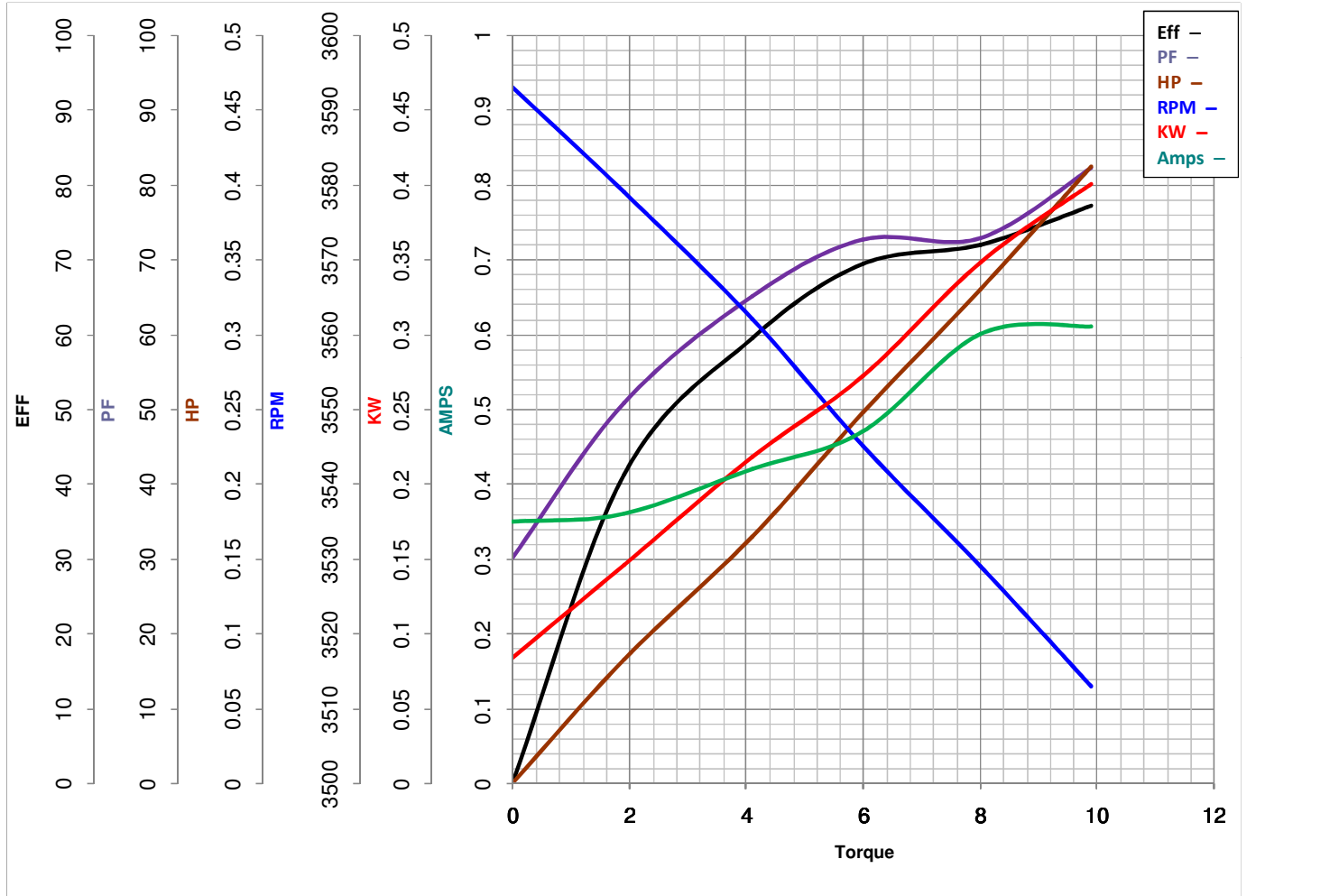
LEESON ELECTRIC CORPORATION
 TYPICAL PERFORMANCE CURVE for AC MOTOR

Model No 101013.00

Catalog No 101013.00

Curve at 460 Volts HP 0.33&0.33 PHASE 3
60 HZ
0.33 HP VOLTS 208-230/460&208-230/460

HZ 60&50 RPM 3450&2850



Torque in Oz.Ft

FL TORQUE 8 Oz.Ft
 BD TORQUE 38.5 Oz.Ft
 LR TORQUE 27.5 Oz.Ft

FL AMPS 1.2-1.2/.6
 PU TORQUE 26.0 Oz.Ft
 LR AMPS 5

WINDING T55234-3

Date 5/22/2018