

# PRODUCT INFORMATION PACKET

Model No: 096000.00

Catalog No: 096000.00

Parallel Shaft Gearmotor, 0.08 HP, 1 Ph, 60/50 Hz, 110 V, 5 RPM, L42Y Frame, TENV



Regal and are trademarks of Regal Rexnord Corporation or one of its affiliated companies.  
©2022 Regal Rexnord Corporation, All Rights Reserved. MC017097E

**Nameplate Specifications**

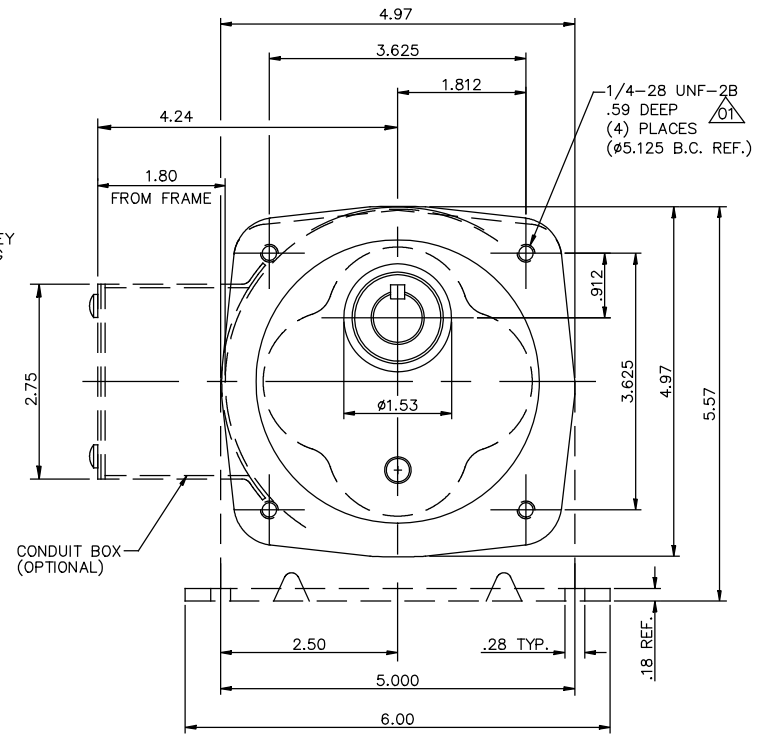
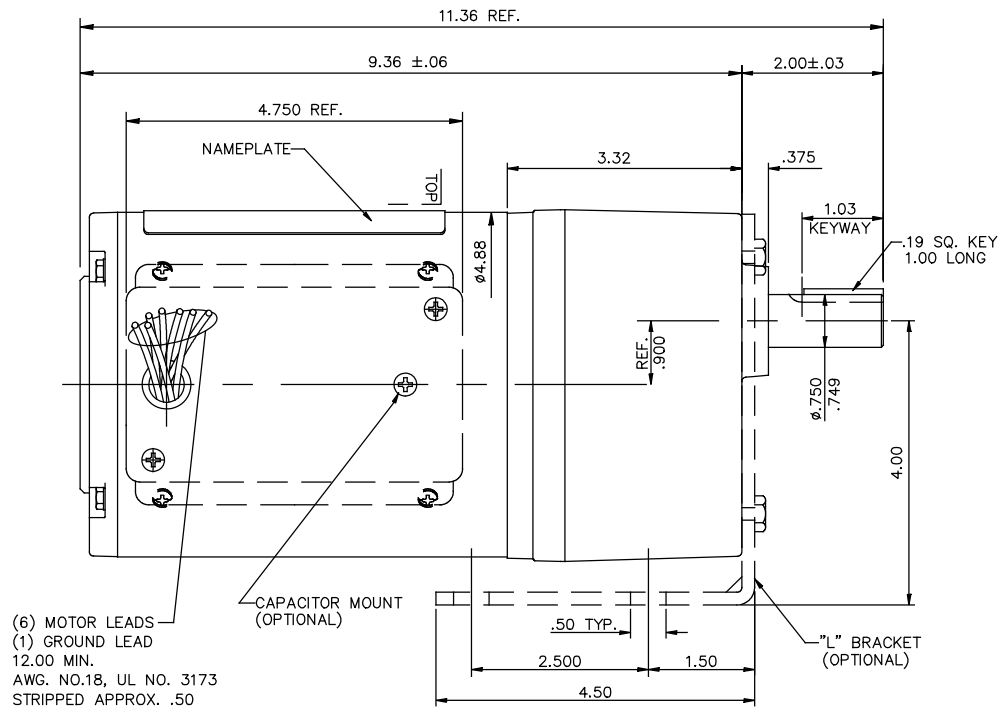
Output HP	<b>0.08 Hp</b>	Output KW	<b>0.06 kW</b>
Frequency	<b>60/50 Hz</b>	Voltage	<b>110 V</b>
Current	<b>1.3/0.65 A</b>	Speed	<b>5 rpm</b>
Service Factor	<b>1</b>	Phase	<b>1</b>
Duty	<b>Continuous</b>	Insulation Class	<b>F</b>
KVA Code	<b>G</b>	Frame	<b>L42Y</b>
Enclosure	<b>Totally Enclosed Non Ventilated</b>	Thermal Protection	<b>No Protection</b>
Ambient Temperature	<b>55 °C</b>	Drive End Bearing Size	<b>6203</b>
Opp Drive End Bearing Size	<b>6201</b>	UL	<b>Recognized</b>
CSA	<b>Y</b>	CE	<b>N</b>

**Technical Specifications**

Rotation	<b>Reversible</b>	Mounting	<b>Special</b>
Shaft Type	<b>Parallel</b>	Overall Length	<b>11.36 in</b>
Frame Length	<b>5.50 in</b>	Shaft Diameter	<b>0.750 in</b>
Shaft Extension	<b>1.625 in</b>	Torque	<b>310 LB-IN</b>
Outline Drawing	<b>027690-096000</b>	Connection Drawing	<b>005108.05</b>

This is an uncontrolled document once printed or downloaded and is subject to change without notice. Date Created:09/19/2022

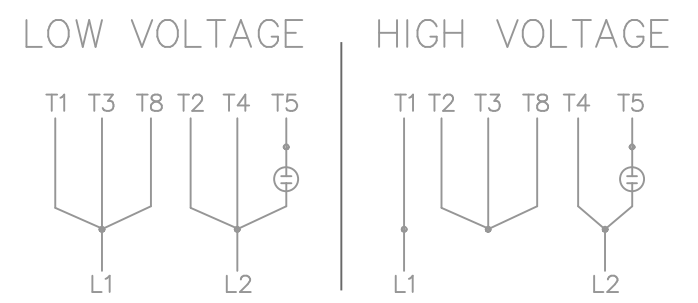
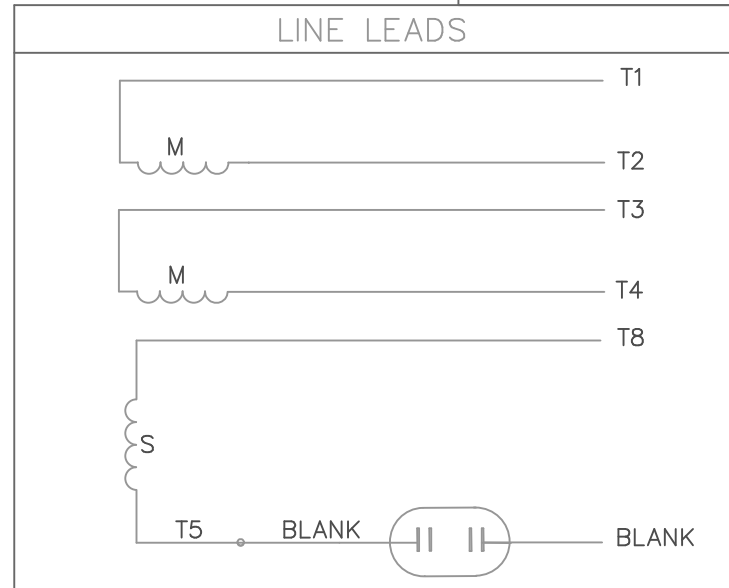
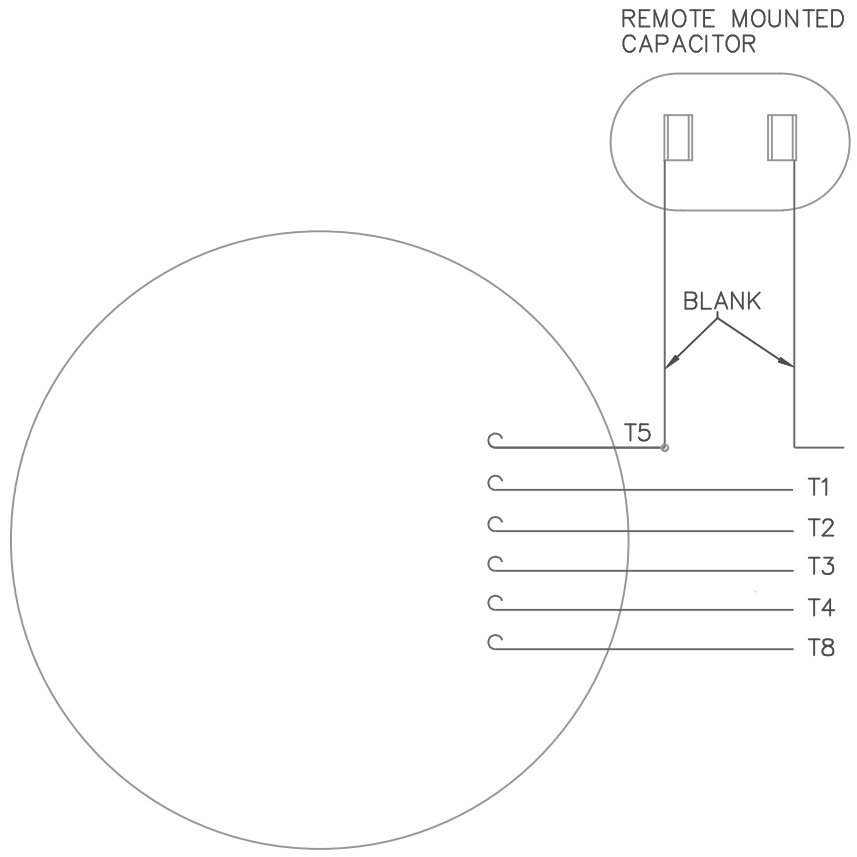
027690



CATALOG NUMBER	OUTPUT RPM	FULL LOAD TORQUE LB.-IN.	INPUT HP	OVERHUNG LOAD LBS.	RATIO TO 1
096000.00	5	310	1/12	565	336
096001.00	9	341	1/12	491	180
096002.00	14	280	1/12	459	124
096003.00	19	250	1/12	374	91

				TOLERANCES UNLESS OTHERWISE SPECIFIED		<b>LEESON ELECTRIC CORPORATION</b>					
				DECIMALS		DRAWN DWF 7/14/97					
				.00	± .01	CH'K'D.	TITLE				
				.000	± .005	APPR.	OUTLINE DRAWING				
01	THREAD DEPTH WAS .63"	JD	06/06/17	.0000	± .0005		42 FRAME PE350 STOCK				
NO.	REVISION	BY	DATE	FRACTIONS	± 1/64	SCALE	1=1.5	MAT'L			
THIS DRAWING IN DESIGN AND DETAIL IS OUR PROPERTY AND MUST NOT BE USED EXCEPT IN CONNECTION WITH OUR WORK ALL RIGHTS OF DESIGN AND INVENTION ARE RESERVED				ANGLES	± 1/2°	REF.	027689	FINISH	LEESON	SIZE	DRAWING NO.
				INCH/MM		FMF	096000.00	STOCK	B	027690	

VIEW FROM OUTSIDE OF MOTOR AT LEAD END.



2 STAGE:  
C.C.W. ROTATION FACING LEAD END AS SHOWN  
INTERCHANGE LEADS T5 & T8 FOR C.W.

3 STAGE:  
CW ROTATION FACING LEAD END AS SHOWN  
INTERCHANGE LEADS T5 & T8 FOR CCW

				TOLERANCES UNLESS OTHERWISE SPECIFIED		<b>LEESON</b> ELECTRIC CORPORATION				
				DECIMALS						
				.00	± .01	DRAWN DBT 07/21/97	TITLE			
				.000	± .005	CH'K'D.	EXTERNAL WIRING DIAGRAM TYPE "P" W/O PROTECTOR			
				.0000	± .0005	APPR.	MAT'L.			
NO.	REVISION	BY	DATE	FRACTIONS	± 1/64	SCALE 1=1	TAG - 080689.02 - 2 STAGE TAG - 080689.01 - 3 STAGE			
THIS DRAWING IN DESIGN AND DETAIL IS OUR PROPERTY AND MUST NOT BE USED EXCEPT IN CONNECTION WITH OUR WORK ALL RIGHTS OF DESIGN AND INVENTION ARE RESERVED				ANGLES	± 1/2°	REF. 005018-01	FINISH	LEESON	SIZE	DRAWING NO.
				INCH/MM		FMF	GEARMOTORS	A	005108-05	