

# PRODUCT INFORMATION PACKET

Model No: M1145142.00

Catalog No: M1145142.00

Right Angle Gearmotor, 0.16 HP, 1 Ph, 60 Hz, 110 V, 83 RPM, 38 Frame, TEFC



Regal and are trademarks of Regal Rexnord Corporation or one of its affiliated companies.  
©2022 Regal Rexnord Corporation, All Rights Reserved. MC017097E

**Nameplate Specifications**

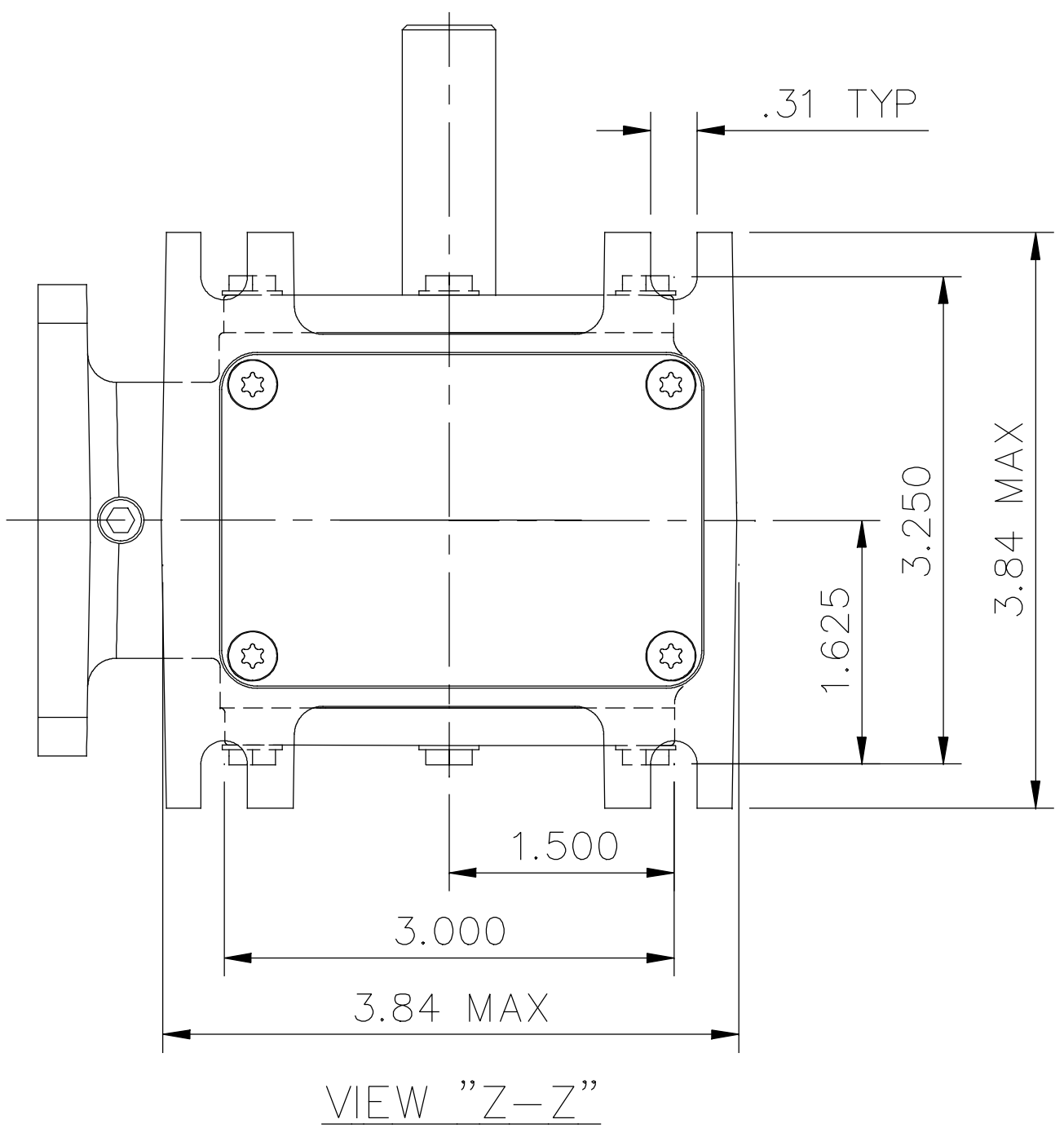
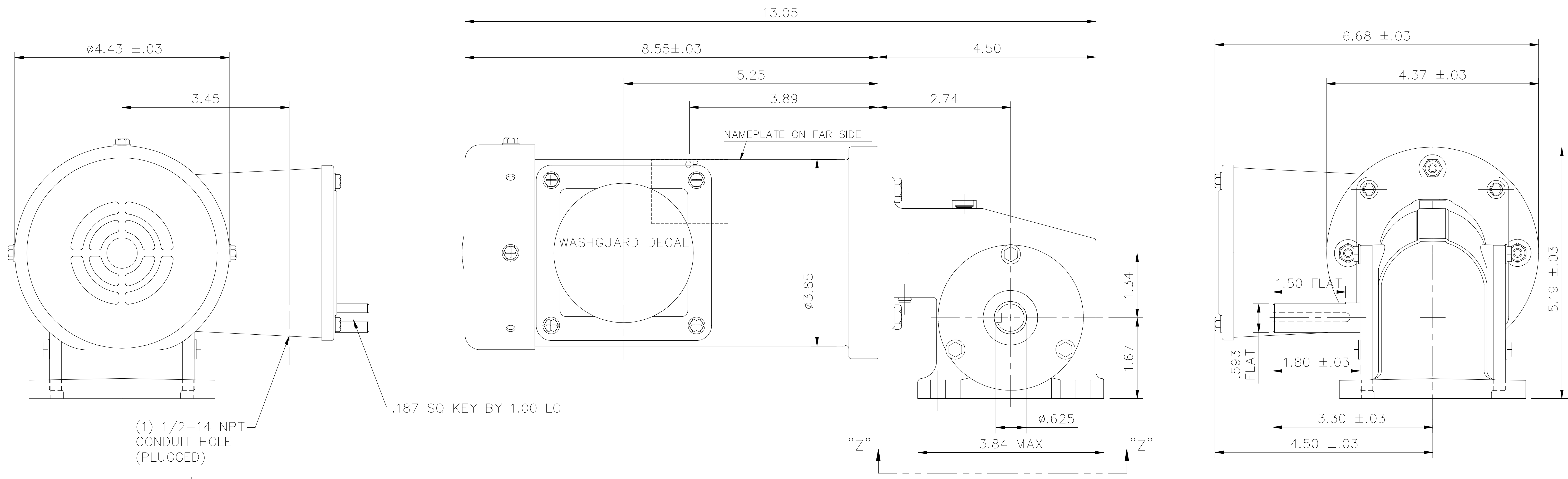
Output HP	<b>0.16 Hp</b>	Output KW	<b>0.12 kW</b>
Frequency	<b>60 Hz</b>	Voltage	<b>110 V</b>
Current	<b>2.0/1.0 A</b>	Speed	<b>83 rpm</b>
Service Factor	<b>1</b>	Phase	<b>1</b>
Duty	<b>Continuous</b>	Insulation Class	<b>F</b>
KVA Code	<b>D</b>	Frame	<b>38</b>
Enclosure	<b>Totally Enclosed Fan Cooled</b>	Thermal Protection	<b>No Protection</b>
Ambient Temperature	<b>40 °C</b>	Drive End Bearing Size	<b>6201</b>
Opp Drive End Bearing Size	<b>6201</b>	UL	<b>Recognized</b>
CSA	<b>Y</b>	CE	<b>Y</b>

**Technical Specifications**

Rotation	<b>Reversible</b>	Mounting	<b>Special</b>
Shaft Type	<b>Right Angle</b>	Overall Length	<b>13.05 in</b>
Frame Length	<b>6.63 in</b>	Shaft Diameter	<b>0.625 in</b>
Shaft Extension	<b>1.8 in</b>	Torque	<b>75 LB-IN</b>
Outline Drawing	<b>OLM1145142-M1145142</b>	Connection Drawing	<b>M1005040.02</b>


This is an uncontrolled document once printed or downloaded and is subject to change without notice. Date Created:09/19/2022

OLM1145142

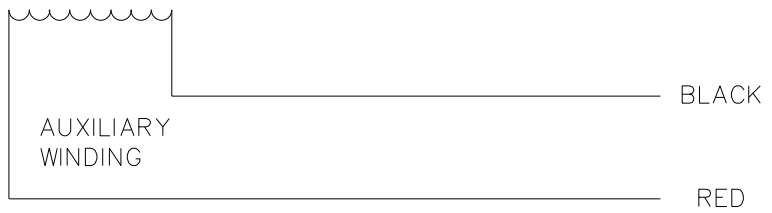
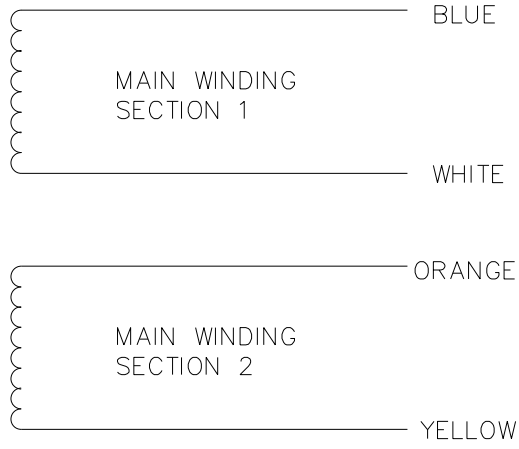
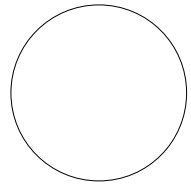


CATALOG NUMBER	SPEED RANGE RPM	FULL LOAD TORQUE LB.-IN.	INPUT HP	OVERHUNG LOAD LBS.	GEARMOTOR TYPE & FRAME	RATIO TO 1
M1145142.00	83	75	1/6	235	13F20-38F	20

- NOTES:  
 1) O-RINGS BETWEEN FRAME AND ENDBELLS.  
 2) GASKETS THROUGHOUT.  
 3) CAPACITOR LOCATED IN CONDUIT BOX.

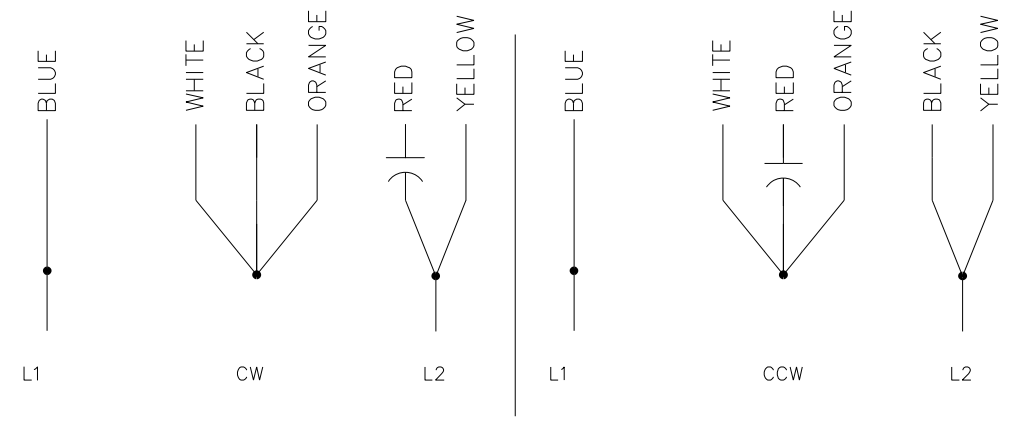
		TOLERANCES UNLESS SPECIFIED		 ELECTRIC MOTORS GEARMOTORS AND DRIVES		DRAWN SRS 12/16/08
		DEC.	INCHES			CHK
		.X	$\pm 1$	TITLE		APPD
		.XX	$\pm 0.03$	13 SERIES - 38 FRAME WASHGUARD		SCALE 1=2
		.XXX	$\pm 0.005$	MAT'L.		REF M1030422.00
E	CHANGED FAN SHROUD SCREWS PER ECO-0131101	ARV 9/12/17	SK .XXXX $\pm 0.0005$	FINISH		FMF M1145142.00
NO.	REVISION	BY & DATE	CHK ANG $\pm 1/2'$	CAD FILE OLM1145142		PREV
ORACLE REV 002		THIS DRAWING IN DESIGN AND DETAIL IS OUR PROPERTY AND MUST NOT BE USED EXCEPT IN CONNECTION WITH OUR WORK ALL RIGHTS OF DESIGN AND INVENTION ARE RESERVED THIS IS AN ELECTRONICALLY GENERATED DOCUMENT - DO NOT SCALE THIS PRINT		RFP	SIZE B	DRAWING NO. OLM1145142
				DIST	REV. E	

M1005040.02



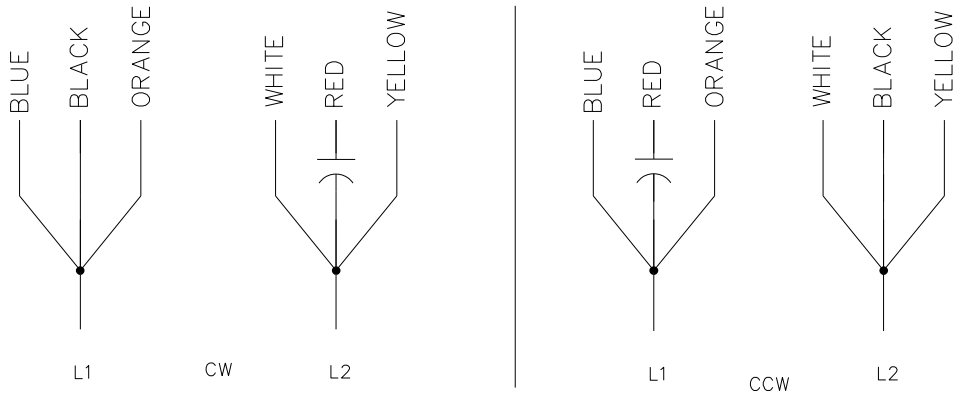
ORACLE REV
003

HIGH VOLTAGE CONNECTIONS



ROTATION VIEWING LEAD END OF MOTOR

LOW VOLTAGE CONNECTIONS



ROTATION VIEWING LEAD END OF MOTOR

TOLERANCES UNLESS OTHERWISE SPECIFIED	
DECIMALS	
.00	± .01
.000	± .005
.0000	± .0005
FRACTIONS	
	± 1/64
ANGLES	
	± 1/2°
INCH/MM	

**LEESON** ELECTRIC CORPORATION

NO.	REVISION	BY	DATE
	REMOVED NUMBERS PER ECR-0215492	ARV	2/11/22

THIS DRAWING IN DESIGN AND DETAIL IS OUR PROPERTY AND MUST NOT BE USED EXCEPT IN CONNECTION WITH OUR WORK ALL RIGHTS OF DESIGN AND INVENTION ARE RESERVED

DRAWN	DK	TITLE
CH'K'D.	10/3/91	EXTERNAL WIRING DIAGRAM DUAL VOLTAGE DUAL ROTATION
APPR.	10/3/91	MAT'L.
SCALE	NONE	
REF.		FINISH
FMF	PR91376	LECO CORP.
	SIZE	DRAWING NO.
	A	M1005040.02