

# PRODUCT INFORMATION PACKET



Model No: M1125276.00  
Catalog No: M1125276.00  
Right Angle Gearmotors

..1/8HP..250RPM.31.TENV.90V..DC.....CM31D25VZ4B.13.RT ANGLE.1.3CD.10:1.WASHGUARD..25LBIN.LEFT.....



Regal and Leeson are trademarks of Regal Rexnord Corporation or one of its affiliated companies.  
©2021 Regal Rexnord Corporation, All Rights Reserved. MC017097E





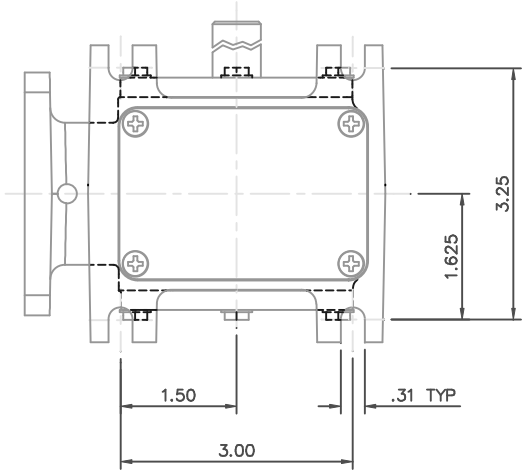
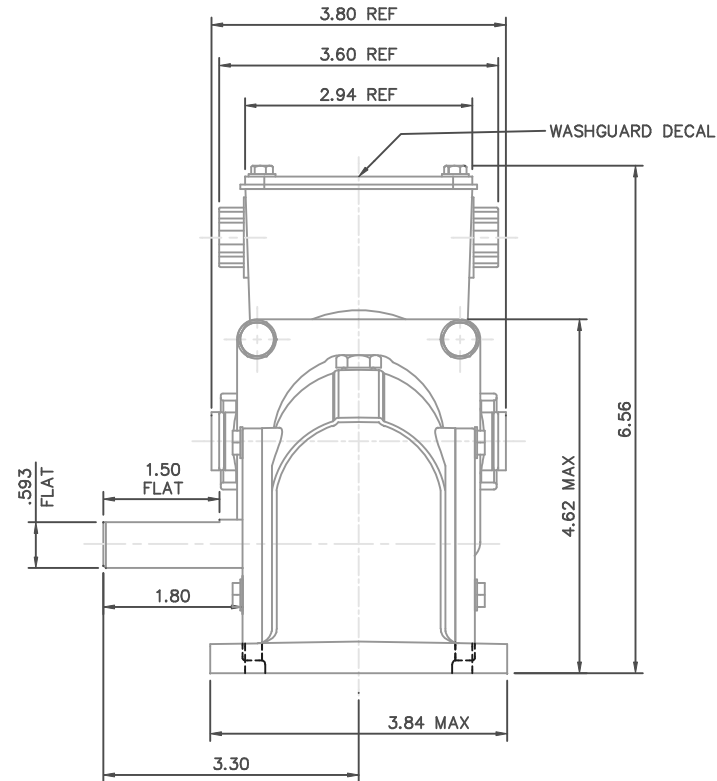
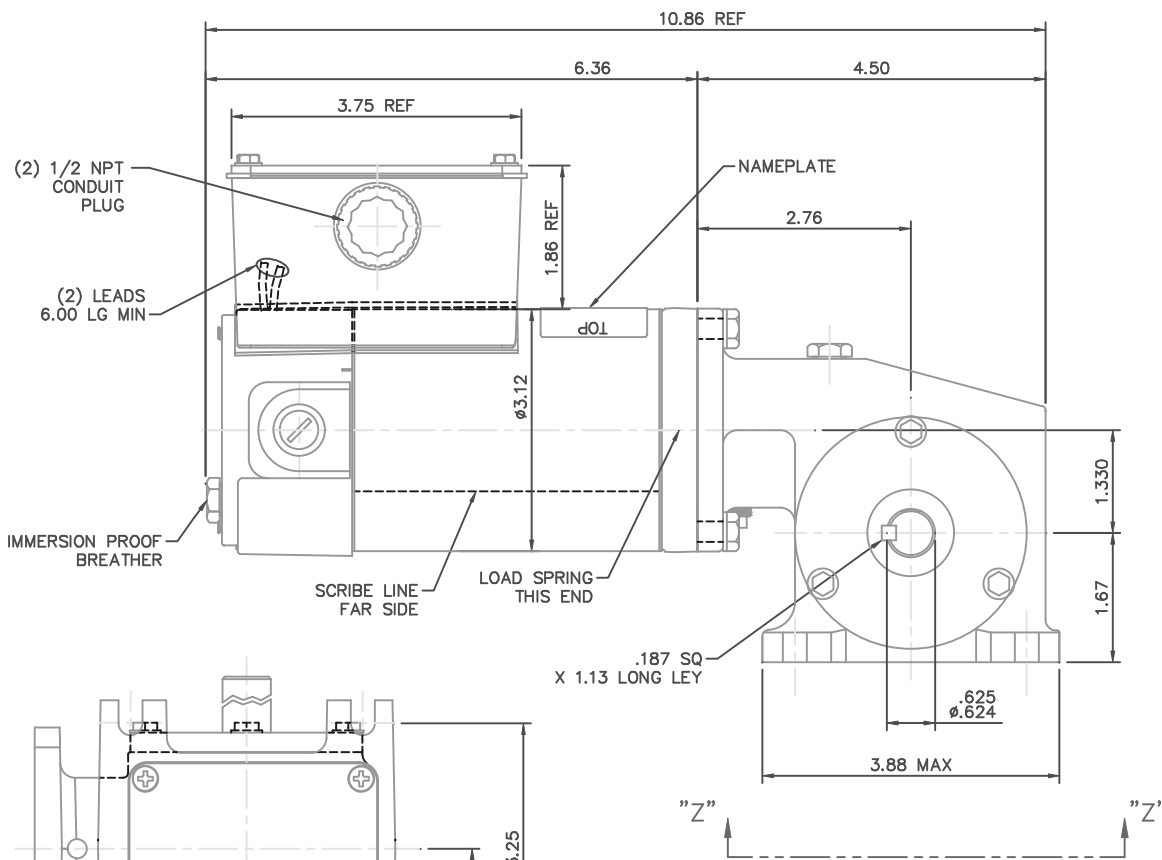
**Nameplate Specifications**

Output HP	0.13 Hp	Output KW	0.10 kW
Voltage	90 V	Current	2.4 A
Speed	250 rpm	Service Factor	1
Efficiency	32.6 %	Duty	Continuous
Insulation Class	F	Frame	31
Enclosure	IP55	Thermal Protection	No
Ambient Temperature	40 °C	Drive End Bearing Size	6201
Opp Drive End Bearing Size	6201	UL	Recognized
CSA	Y	CE	Y

**Technical Specifications**

Rotation	Reversible	Mounting	Special
Shaft Type	Right Angle	Overall Length	10.86 in
Frame Length	3.94 in	Shaft Diameter	0.625 in
Shaft Extension	1.8 in	Torque	25 LB-IN
Connection Drawing	M100530901	Outline Drawing	M1030982-M1125276

This is an uncontrolled document once printed or downloaded and is subject to change without notice. Date Created:10/11/2021



VIEW "Z-Z"

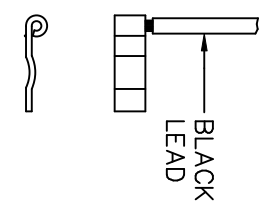
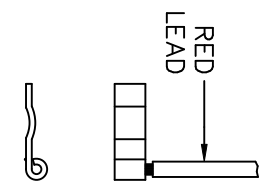
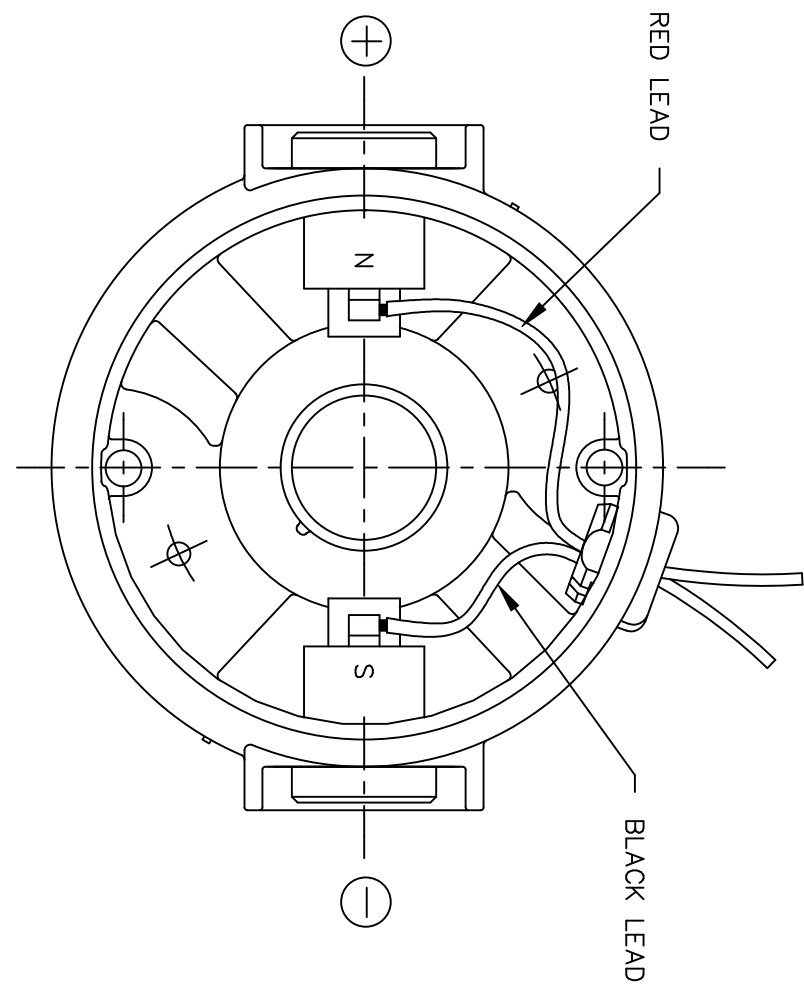
NOTES:

- 1) GASKETS BETWEEN FRAME AND ENDBELLS, CONDUIT BOX AND FRAME, AND CONDUIT BOX COVER AND CONDUIT BOX.


CATALOG NUMBER	SPEED RANGE RPM	FULL LOAD TORQUE LB.-IN.	INPUT HP	OVERHUNG LOAD LBS.	RATIO TO 1
M1125275.00	42-7	80	1/8	235	60
M1125276.00	250-4	25	1/8	235	10

				TOLERANCES UNLESS SPECIFIED		LEESON ELECTRIC MOTORS GEARMOTORS AND DRIVES		DRAWN IPG 5/2/05		
				DEC.	INCHES			CHK	SAD 5/2/05	
				.X	±.1	TITLE		APPD		
02	1/2 NPT CONDUIT PLUG QTY. WAS 3. ISAAC 08-3457	RPB	7/30/08	BC	.XX	±.03	OUTLINE - 31 FRAME DC	SCALE	5=8	
01	CHANGED TO DIE CAST GEARBOX PER ECN 06-3023.	RPB	7/12/06	BC	.XXX	±.005	13 SERIES 90V GEARMOTOR	REF	M1030980.00	
00	RELEASED: REF. M1030980.00, DIFF. FRAME SIZE	IPG	5/2/05	SAD	.XXXX	±.0005	MAT'L	FMF	M1125275.00	
NO.		REVISION		BY & DATE		FINISH		PREV		
THIS DRAWING IN DESIGN AND DETAIL IS OUR PROPERTY AND MUST NOT BE USED EXCEPT IN CONNECTION WITH OUR WORK ALL RIGHTS OF DESIGN AND INVENTION ARE RESERVED THIS IS AN ELECTRONICALLY GENERATED DOCUMENT - DO NOT SCALE THIS PRINT				RFP	ANG	±1/2"	CAD FILE	M1030982	SIZE	DRAWING NO.
				DIST			B	M1030982.00	REV.	02

D.C. MOTORS



EXTERNAL CONNECTIONS FOR CW ROTATION  
 VIEWING LEAD END OF MOTOR WITH RED LEAD  
 POSITIVE (+) AND BLACK LEAD NEGATIVE (-)  
 FOR CCW ROTATION REVERSE POLARITY

				TOLERANCES UNLESS SPECIFIED		 ELECTRIC MOTORS GEARMOTORS AND DRIVES	DRAWN	IPG 5/2/05		
				DEC.	INCHES		CHK	SAD 5/2/05		
				.X	±.1		APPD			
				.XX	±.01		TITLE	CONNECTION DIAGRAM		
				.XXX	±.005		SCALE	1=1		
00	RELEASED: REF. M1005308.01	IPG	5/2/05	SAD	.XXXX	±.0005	MAT'L.	REF	M1005308.01	
NO.	REVISION	BY & DATE	CHK	ANG	±1/2"	FINISH	FMF	M1125275.00	PREV	
THIS DRAWING IN DESIGN AND DETAIL IS OUR PROPERTY AND MUST NOT BE USED EXCEPT IN CONNECTION WITH OUR WORK ALL RIGHTS OF DESIGN AND INVENTION ARE RESERVED THIS IS AN ELECTRONICALLY GENERATED DOCUMENT - DO NOT SCALE THIS PRINT				RFP	CAD FILE			SIZE	DRAWING NO.	REV.
				DIST	M100530901			A	M1005309.01	00