

PRODUCT INFORMATION PACKET



Model No: 132565.00

Catalog No: 132565.00

Premium Duck™ General Purpose Motor, 1.50 & 1 HP, 3 Ph, 60 & 50 Hz, 230/460 & 190/380 V,
1200 & 1000 RPM, 182TC Frame, TEFC



Regal and Leeson are trademarks of Regal Rexnord Corporation or one of its affiliated companies.

©2023 Regal Rexnord Corporation, All Rights Reserved. MC017097E





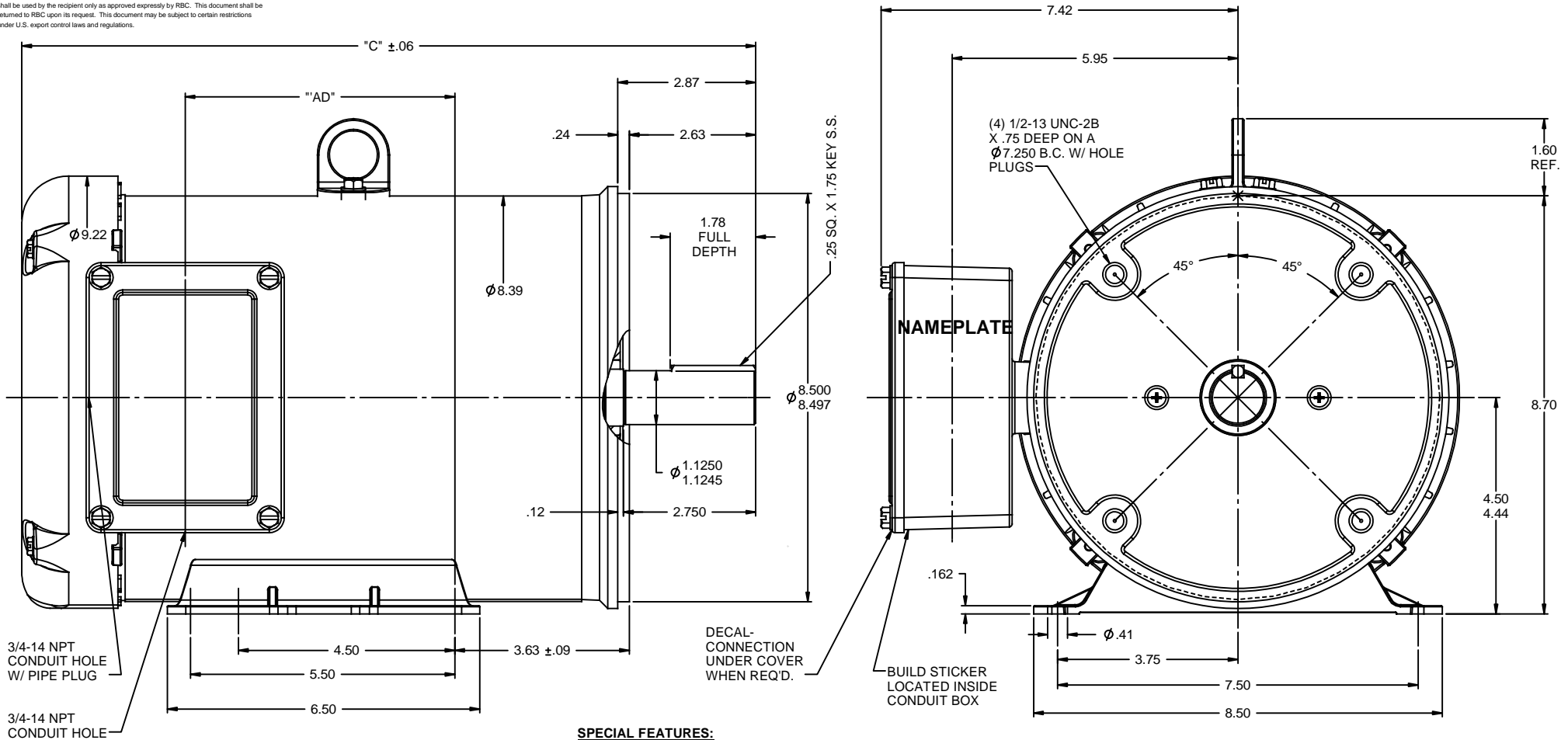
Nameplate Specifications

Phase	3	Output HP	1.50 & 1 Hp
Output KW	1.1 & 0.75 kW	Voltage	230/460 & 190/380 V
Speed	1170 & 985 rpm	Service Factor	1.15 & 1.15
Frame	182TC	Enclosure	Totally Enclosed Fan Cooled
Thermal Protection	No Protection	Efficiency	87.5 & 85.5 %
Ambient Temperature	40 °C	Frequency	60 & 50 Hz
Current	6/3 & 5.2/2.8 A	Power Factor	62
Duty	Continuous	Insulation Class	H
Design Code	B	KVA Code	K
Drive End Bearing Size	6207	Opp Drive End Bearing Size	6207
UL	Recognized	CSA	Y
CE	Y	IP Code	56
Number of Speeds	1		

Technical Specifications

Electrical Type	Squirrel Cage Inverter Rated	Starting Method	Line Or Inverter
Poles	6	Rotation	Reversible
Resistance Main	0 Ohms	Mounting	Rigid Base
Motor Orientation	Horizontal	Drive End Bearing	Ball
Opp Drive End Bearing	Ball	Frame Material	Stainless Steel
Shaft Type	T	Overall Length	14.77 in
Frame Length	9.00 in	Shaft Diameter	1.125 in
Shaft Extension	2.75 in	Assembly/Box Mounting	F1 ONLY
Inverter Load	VARIABLE 10:1		
Outline Drawing	035437-900	Connection Drawing	005010.01

RBC PROPRIETARY AND CONFIDENTIAL INFORMATION
 This document is the property of REGAL BELOIT CORPORATION ("RBC") including its subsidiaries and divisions and contains proprietary information of RBC. This document is loaned on the express condition that neither it nor the information contained therein shall be disclosed to others without the express written consent of RBC, and that the information shall be used by the recipient only as approved expressly by RBC. This document shall be returned to RBC upon its request. This document may be subject to certain restrictions under U.S. export control laws and regulations.



3/4-14 NPT CONDUIT HOLE W/ PIPE PLUG
 3/4-14 NPT CONDUIT HOLE

DECAL-
 CONNECTION
 UNDER COVER
 WHEN REQ'D.

BUILD STICKER
 LOCATED INSIDE
 CONDUIT BOX

SPECIAL FEATURES:
 DOUBLE LIP OIL SEAL BOTH ENDS
 GASKETS THROUGHOUT
 O-RING SEALED ENDBELLS & THRU BOLTS
 LOCKED BEARING W/ SEALED LOCK SCREWS

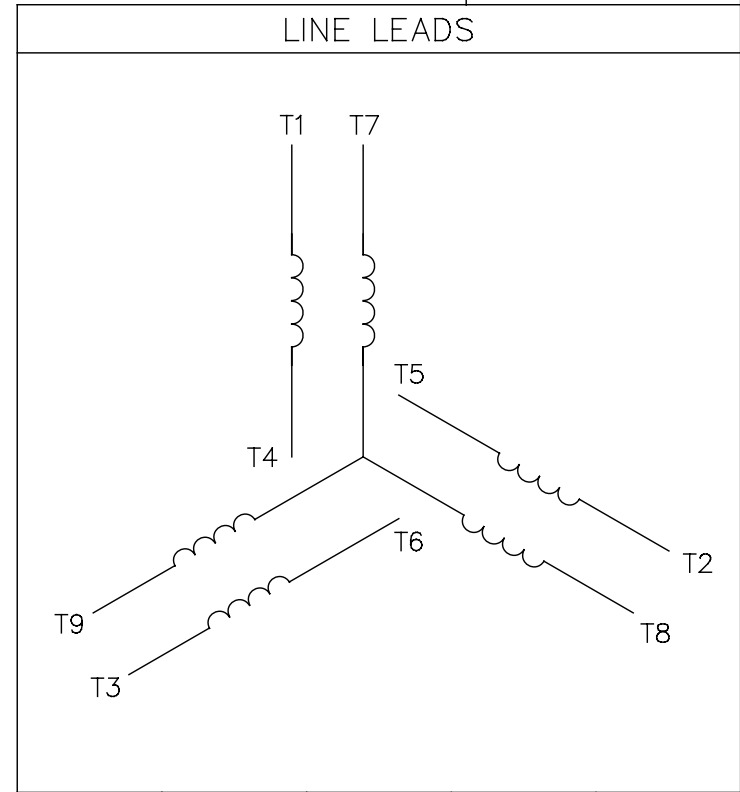
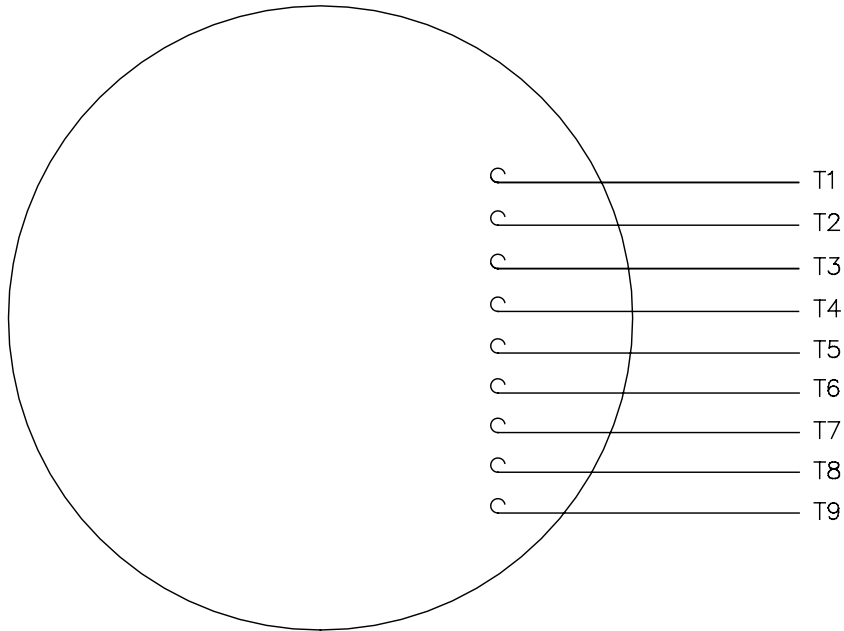
MAXIMUM FACE RUNOUT TO BE .004 T.I.R.
 MAXIMUM PILOT ECCENTRICITY TO BE .004 T.I.R.
 PERMISSIBLE SHAFT RUNOUT TO BE .002 T.I.R.

DASH NO.	"C"	"AD"
850	14.27	4.61
900	14.77	5.11
950	15.27	5.61
1000	15.77	6.11

REVISION		BY & DATE	CHK	ANG	FINISH	REV	PREV	SIZE	DRAWING NO	REV
02	ADDED DASH NO. 1000 (132208.00)	PG 9/21/2010	XX	±.03	TITLE OUTLINE - 180TC FRAME					
01	ADDED NOTE FOR BUILD STICKER LOC. PER ISAAC 10-1677	PG 5/4/2010	XXX	±.005	TEFC - RIGID "C"					
-	UPDATED & REDRAWN TO SOLIDWORKS	LST 12/11/2009	XXXX	±.0005	MATL STAINLESS STEEL DUCK					
TOLERANCES UNLESS SPECIFIED: DEC INCHES X ±.1 XX ±.03 XXX ±.005 XXXX ±.0005								DRAWN JJK 4/4/02 CHK APPR SCALE 1:2 REF OLG131167 FMF G131901.00 PAGE OF		
THIRD ANGLE PROJECTION						NETWORK FILE NAME 035437		SIZE B DRAWING NO 035437		REV 02

005010-01

VIEW FROM OUTSIDE OF MOTOR AT SWITCH END.



VOLTAGE	L1	L2	L3	JOIN & INSULATE
HIGH	T1	T2	T3	(T4,T7) (T5,T8) (T6,T9)
LOW	T1,T7	T2,T8	T3,T9	T4,T5,T6

				TOLERANCES UNLESS SPECIFIED		Regal Beloit America, Inc.		DRAWN RDW 04/12/02				
				DEC.	INCHES			CHK				
				.X	±.1			APPD				
				.XX	±.01			SCALE 1=1				
				.XXX	±.005	TITLE		REF FIG.2-51				
A	UPDATED TO REGAL LOGO			SAJ	06/26/15	AJY	.XXXX	±.0005	MAT'L.	DECAL - 004014	FMF	
NO.	REVISION			BY & DATE	CHK	ANG	±1/2"	FINISH			PREV	
THIS DRAWING IN DESIGN AND DETAIL IS OUR PROPERTY AND MUST NOT BE USED EXCEPT IN CONNECTION WITH OUR WORK ALL RIGHTS OF DESIGN AND INVENTION ARE RESERVED THIS IS AN ELECTRONICALLY GENERATED DOCUMENT - DO NOT SCALE THIS PRINT				RFP	04/12/02		CAD FILE	00501001		SIZE	DRAWING NO.	REV.
				DIST	BRF-NLV				A	005010-01		A

P.O. BOX 8003
WAUSAU, WI 54401-8003
PH. 715-675-3311



DATA VOLTS: 460

CERTIFICATION DATA SHEET

CONN. DIAGRAM: 005010.01
OUTLINE: 035437-900
WINDING: T8636

CAT #: 132565.00

FR 3

TYPICAL MOTOR PERFORMANCE DATA

HP	KW	SYNC RPM	FL RPM	FRAME	ENCLOSURE	TYPE	KVA CODE	DESIGN
1.5	1.1	1200	1175	182TC	TEFC	TFW	K	B

PH	HZ	VOLTS	AMPS	START TYPE	DUTY	INSL	S.F.	AMB	ELEV.
3	60/50	230/460#190/380	5.2/2.6&5.2/2.6	LINE OR INVERTER	CONT	H	1.15	40	3300

F.L. EFF	87.5	3/4 LD EFF	86.0	1/2 LD EFF	83.0	GTD EFF	85.5	ELECT. TYPE	SQ CAGE INV RATED
F.L. PF	62.0	3/4 LD PF	55.0	1/2 LD PF	43.0				

F.L. TORQUE	LR AMPS @ 460 V	L.R. TORQUE	B.D. TORQUE	F.L. RISE (°C)
6.7 LB-FT	15.2	11.0 LB-FT 164%	22.5 LB-FT 336%	35

PRESSURE @ 3	POWER	ROTOR WK²	MAX. LOAD WK²	SAFE STALL TIME	STARTS/HOUR	MOTOR WGT
0 dBA	9 dBA	0.56 LB-FT²	0 LB-FT²	10 SEC.	0	0 LB.

*** SUPPLEMENTAL INFORMATION ***

DE BRACKET TYPE	ODE BRACKET TYPE	MOUNT TYPE	MOTOR ORIENTATION	SEVERE DUTY	HAZARDOUS LOCATION	DRIP COVER	SCREENS	PAINT
C-FACE	STANDARD	RIGID	HORIZONTAL	NO	NONE	NO	NONE	NO PAINT

BEARINGS		GREASE	SHAFT TYPE	SPECIAL DE	SPECIAL ODE	SHAFT MATERIAL	FRAME MATERIAL
DE	ODE						
BALL	BALL	POLYREX EM	T	NONE	NONE	303 STAINLESS (C-501)	STAINLESS STEEL
6207	6207						

THERMOSTATS	PROTECTORS	WDG RTD's	BRG RTD's	THERMISTORS	CONTROL	SPACE HEATERS
NONE	NOT	NONE	NONE	NONE	FALSE	NA

R1 (ohms/ph)	R2 (ohms/ph)	X1 (ohms/ph)	X2 (ohms/ph)	Xm (ohms/ph)	VIBRATION (in/sec)	FLOAT
0	0	0	0	0	0.080	ODE

* N O T E S *	INVERTER TORQUE: VARIABLE 10:1	
	INV. HP SPEED RANGE: NONE	
	ENCODER: NONE	
	NONE	
	NONE NONE PPR	

DATE: 1/23/2018	BRAKE: NONE	
	NONE NONE NONE	
	FT-LB: NA	HZ:
VOLTAGE: NONE		
UL: Y-(LEESON UL REC)		

Data Sheet

Date: 1/23/2018

132565.00



Data @ 460 V

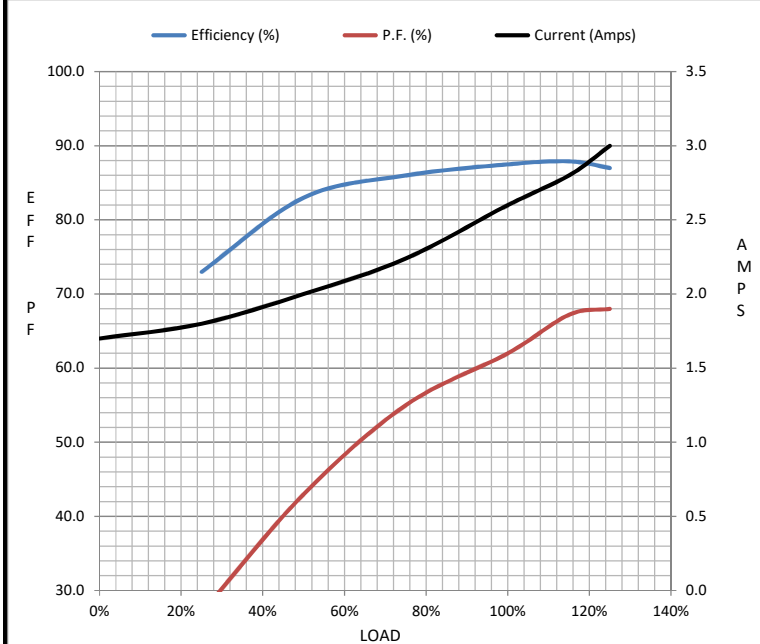
Motor Load Data

Load	0%	25%	50%	75%	100%	115%	125%	LR
Current (Amps)	1.70	1.80	2.00	2.24	2.60	2.80	3.0	15.2
Torque (ft-lb)	0.00	1.65	3.3	5.0	6.7	7.8	8.5	11.0
RPM	1200	1195	1190	1185	1175	1,175	1170	0
Efficiency (%)		73.0	83.0	86.0	87.5	87.9	87.0	
P.F. (%)	8.0	27.0	43.0	55.0	62.0	67.2	68.0	38.0

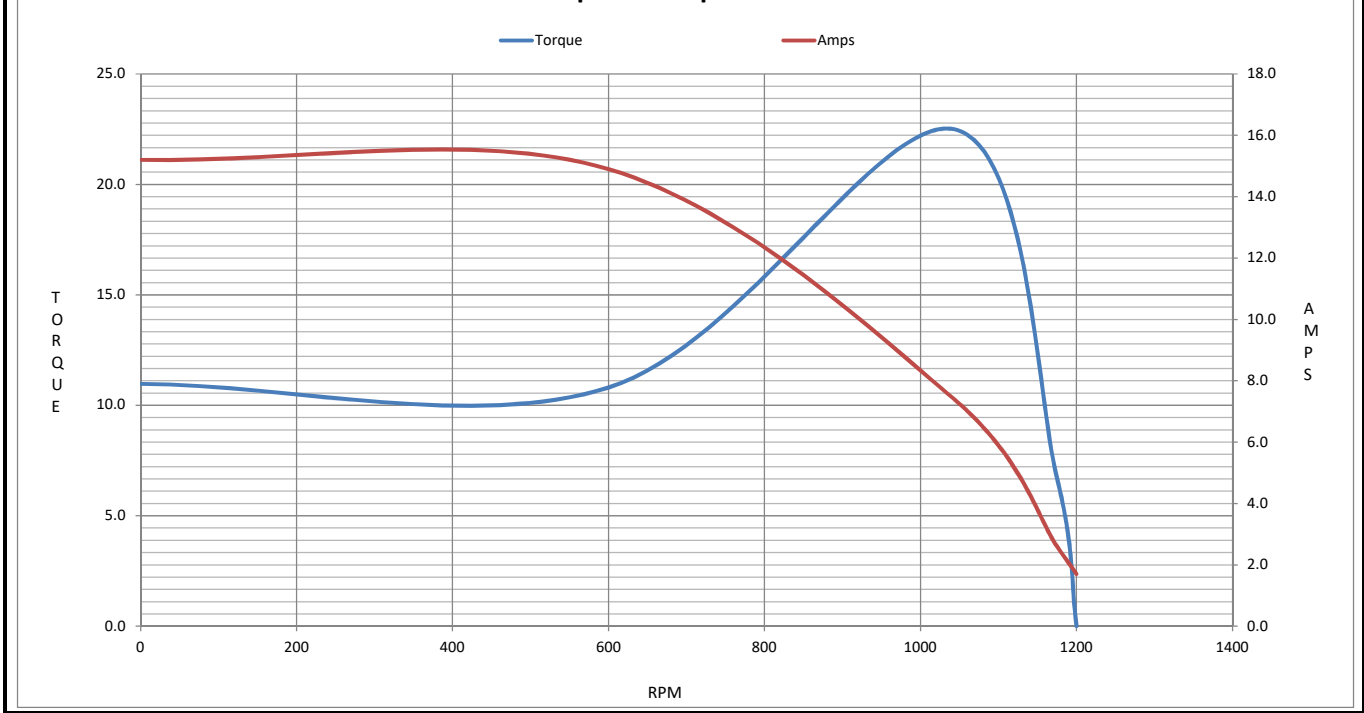
Motor Speed Data

	LR	Pull-Up	BD	Rated	Idle
Speed (RPM)	0	600	1043	1175	1200
Current (Amps)	15.2	14.9	7.4	2.60	1.70
Torque (ft-lb)	11.0	10.8	22.5	6.7	0.00

Information Block				
HP	1.5			
Sync. RPM	1200			
Frame	180			
Enclosure	TEFC			
Construction	TFW			
Voltage	230/460#190/380 V			
Frequency	60 Hz			
Design	B			
LR Code letter	K			
Service Factor	1.15			
Temp Rise @ FL	35 °C			
Duty	CONT			
Ambient	40 °C			
Elevation	1,000 feet			
Rotor/Shaft wk ²	0.56 Lb-Ft ²			
Ref Wdg	T8636 FR			
Sound Pressure @ 1M	0 dBA			
VFD Rating	VARIABLE 10:1			
Outline Dwg	035437-900			
Conn. Diag	005010.01			
Additional Specifications:				
0				
0				
EQUIV CKT (OHMS / PHASE)				
R1	R2	X1	X2	Xm
0.0000	0.0000	0.0000	0.0000	0.0000



Speed - Torque Curve



EC Declaration of Conformity

The undersigned representing
the manufacturer:

Regal Beloit America
100 East Randolph St.
Wausau, WI 54401

and the authorized representative
established within the Community:

Marathon Electric UK
6F Thistleton Road Ind. Estate
Market Overton
Oakham, Rutland LE15 7PP UK

are committed to providing customers with products that comply with applicable regulations and international protocols to which they are subject, including the requirements of the European Parliament Directive on the Harmonization of the laws relating to electrical equipment designed for use within certain voltage limits (2014/35/EU).

Regal Beloit America declares that the following product(s), to which this declaration relates, are in conformity with the relevant sections of the EC standards listed below.

This statement supersedes any statements previously issued pertaining to the product(s) listed below and is subject to change without notice.

Model No : 132565.00

(Model No. may contain prefix and/or suffix characters)

Catalog No : 132565.00

Rework No : N/A

Directives :

Low Voltage Directive 2014/35/EU

Harmonized Standards Used :

EN 60034-1: 2010 (IEC 60034-1: 2010)

EN 60034-5: 2001/A1:2007 (IEC 60034-5: 2000/A1:2006)

Authorized Representative:



Michael A. Logsdon
Vice President, Technology

Authorized Representative in the Community:



Julian Clark
Marketing Engineer

Created on 09/01/2022

CE 22