

PRODUCT INFORMATION PACKET



Model No: 131539.00

Catalog No: 131539.00

General Purpose Motor, 5 HP, 1 Ph, 60 Hz, 208-230 V, 1800 RPM, 184TC Frame, DP



Regal and Leeson are trademarks of Regal Rexnord Corporation or one of its affiliated companies.

©2023 Regal Rexnord Corporation, All Rights Reserved. MC017097E





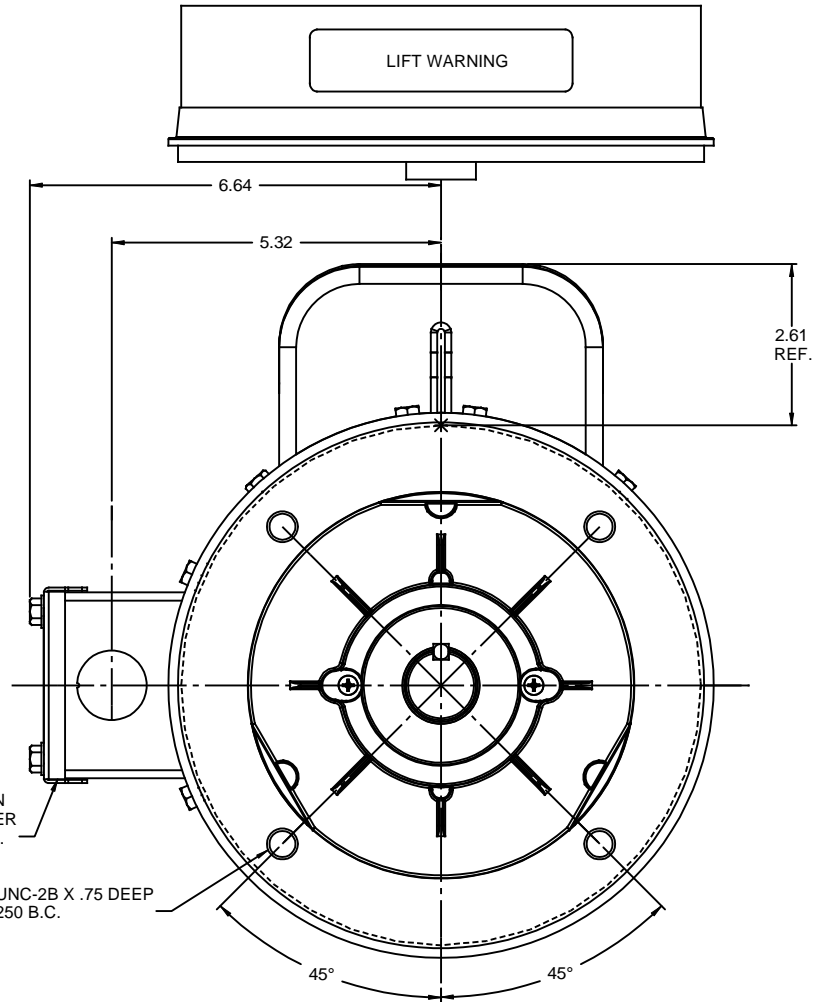
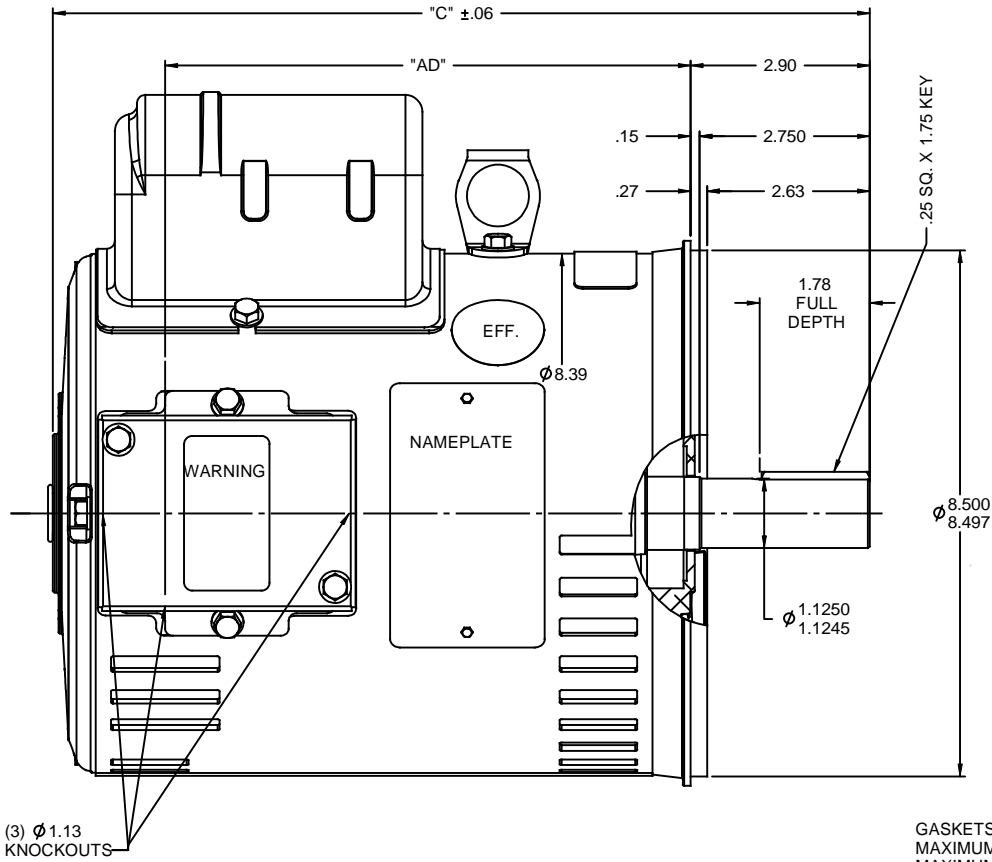
Nameplate Specifications

Phase	1	Output HP	5 Hp
Output KW	3.7 kW	Voltage	208-230 V
Speed	1740 rpm	Service Factor	1.15
Frame	184TC	Enclosure	Drip Proof
Thermal Protection	No Protection	Efficiency	83 %
Ambient Temperature	40 °C	Frequency	60 Hz
Current	23.0-21.0 A	Power Factor	94
Duty	Continuous	Insulation Class	F
Design Code	L	KVA Code	H
Drive End Bearing Size	6206	Opp Drive End Bearing Size	6205
UL	Recognized	CSA	Y
CE	N	IP Code	22
Number of Speeds	1		

Technical Specifications

Electrical Type	Capacitor Start Capacitor Run	Starting Method	Across The Line
Poles	4	Rotation	Selective Counterclockwise
Resistance Main	.48 Ohms	Mounting	Round
Motor Orientation	Horizontal	Drive End Bearing	Ball
Opp Drive End Bearing	Ball	Frame Material	Rolled Steel
Shaft Type	T	Overall Length	14.70 in
Frame Length	10.50 in	Shaft Diameter	1.125 in
Shaft Extension	2.75 in	Assembly/Box Mounting	F1 ONLY
Connection Drawing	005018.01	Outline Drawing	035371-1050

RBC PROPRIETARY AND CONFIDENTIAL INFORMATION
 This document is the property of REGAL BELOIT CORPORATION ("RBC") including its subsidiaries and divisions and contains proprietary information of RBC. This document is loaned on the express condition that neither it nor the information contained therein shall be disclosed to others without the express written consent of RBC, and that the information shall be used by the recipient only as approved expressly by RBC. This document shall be returned to RBC upon its request. This document may be subject to certain restrictions under U.S. export control laws and regulations.



GASKETS THROUGHOUT
 MAXIMUM FACE RUNOUT TO BE .004 T.I.R.
 MAXIMUM PILOT ECCENTRICITY TO BE .004 T.I.R.
 PERMISSIBLE SHAFT RUNOUT TO BE .002 T.I.R.

(3) Ø 1.13
 KNOCKOUTS

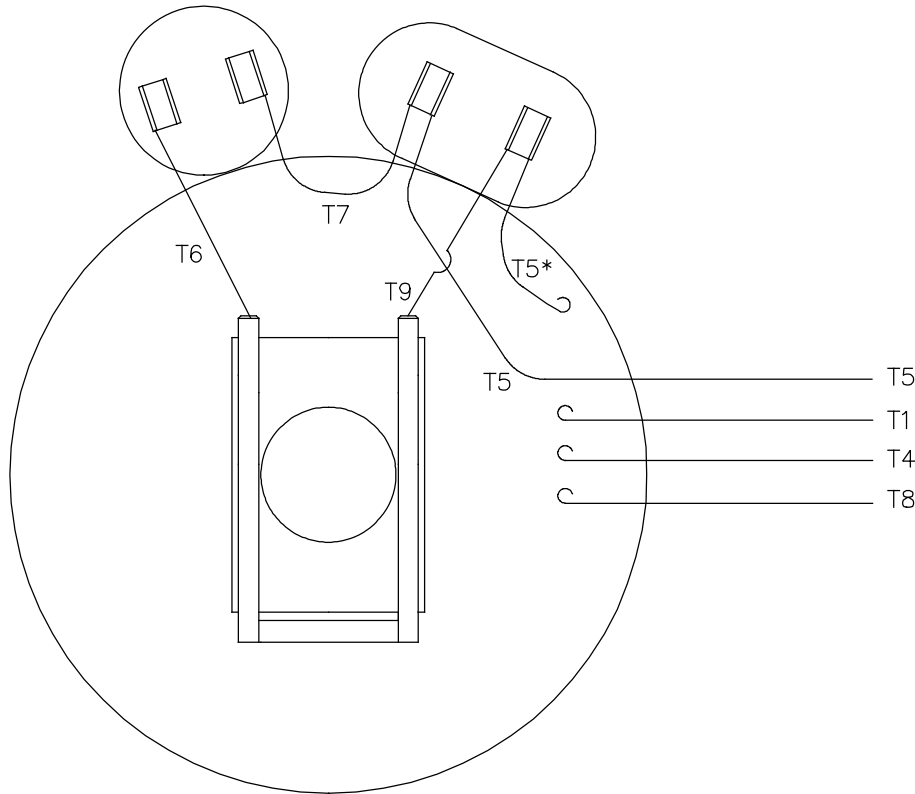
DASH NO.	"C"	"AD"
850	12.70	7.88
900	13.20	8.38
950	13.70	8.88
1000	14.20	9.38
1050	14.70	9.88
1100	15.20	10.38
1150	15.70	10.88

REVISION		BY & DATE	CHK	ANG	FINISH	PREV	SIZE	DRAWING NO	REV
- UPDATED AND REDRAWN IN SOLIDWORKS		LST 12/21/2009	XX	XXX	±.0005	MAT'L			
NO				±1/2°			B	035371	-

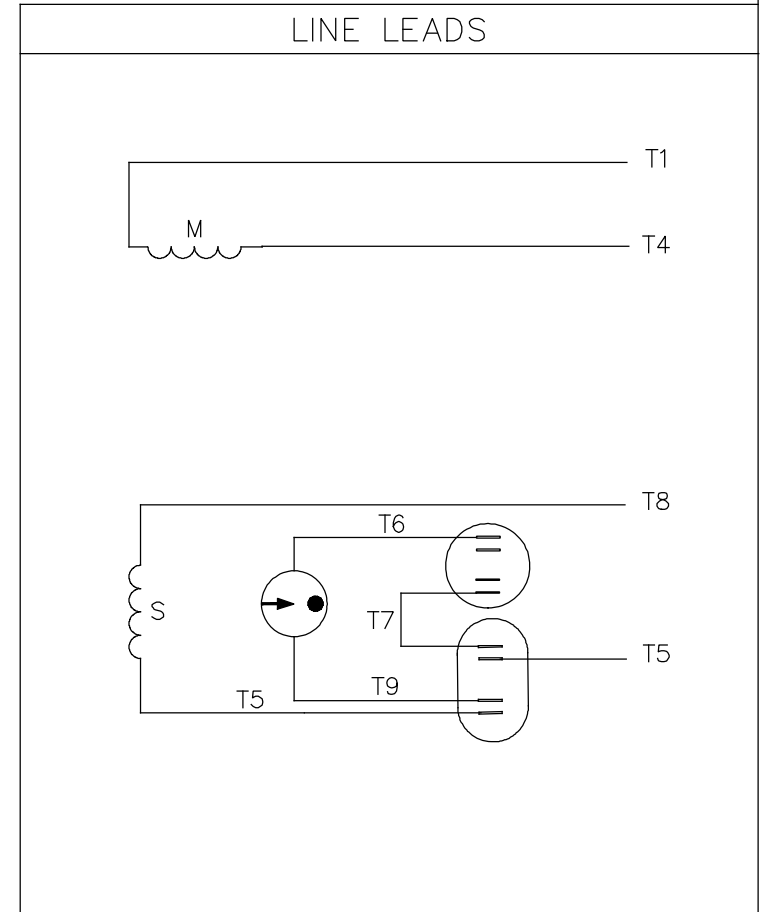
TOLERANCES UNLESS SPECIFIED	DEC	INCHES	DRAWN	PG 10/3/97
X		±.1	CHK	RSK 10/3/97
.XX		±.03	APPR	
.XXX		±.005	SCALE	1:2
.XXXX		±.0005	REF	035059
			FMF	STANDARD
			PAGE	OF

REV	DESCRIPTION	DATE
1	THIRD ANGLE PROJECTION	

VIEW FROM OUTSIDE OF MOTOR AT SWITCH END.




* THIS LEAD MAY BE WHITE



ROTATION FACING LEAD END	L1	L2
C.C.W.	T1, T8	T4, T5
C.W.	T1, T5	T4, T8

NO.	REVISION	BY & DATE	CHK	ANG	TOLERANCES UNLESS SPECIFIED	
					DEC.	INCHES
21	LOGO UPDATED FROM LEESON TO MARATHON	AS 07/03/19	AS	.X	±.1	
20	ALTERNATE T5 LEAD MARKING WAS RED	RLW 7/22/02	KH	.XX	±.01	
19	ADDED ALTERNATE T5 LEAD MARKING	RLW 5/31/02	KH	.XXX	±.005	
18	REDRAWN ON CAD	DBT 06/24/97		.XXXX	±.0005	
					±1/2"	

 Regal Beloit America, Inc.		DRAWN	ADH 02/19/74
		CHK	WRK 02/20/74
		APPD	JCW 02/20/74
TITLE		SCALE	1=1
EXTERNAL WIRING DIAGRAM TYPE "K" W/O PROTECTOR		REF	
MAT'L.		FMF	
DECAL - 004018		PREV	

THIS DRAWING IN DESIGN AND DETAIL IS OUR PROPERTY AND MUST NOT BE USED EXCEPT IN CONNECTION WITH OUR WORK ALL RIGHTS OF DESIGN AND INVENTION ARE RESERVED THIS IS AN ELECTRONICALLY GENERATED DOCUMENT - DO NOT SCALE THIS PRINT		RFP	CAD FILE	00501801	SIZE	DRAWING NO.	REV.
		DIST	BRF-NLV		A	005018-01	21



CERTIFICATION DATA SHEET

**1051 CHEYENNE AVE.
GRAFTON, WI 53024
PH. 262-377-8810**

CATALOG #: 131539.00

CONN. DIAGRAM: 005018.01

OUTLINE: 035371-1050

MOUNTING: F1 ONLY

WINDING #: K8450 DR 2 A

TYPICAL MOTOR PERFORMANCE DATA

HP	kW	SYNC. RPM	F.L. RPM	FRAME	ENCLOSURE	KVA CODE	DESIGN
5	3.70	1800	1740	184TC	DP	H	L

PH	Hz	VOLTS	AMPS	START TYPE	DUTY	INSL	S.F.	AMB°C
1	60	208-230	23-21	ACROSS THE LINE	CONTINUOUS	F4	1.15	40

FULL LOAD EFF:	83	3/4 LOAD EFF:	81.9	1/2 LOAD EFF:	77.2	GTD. EFF		ELEC. TYPE	
FULL LOAD PF:	94	3/4 LOAD PF:	93.5	1/2 LOAD PF:	89.6	80		CAP START CAP RUN	

F.L. TORQUE	LOCKED ROTOR AMPS	L.R. TORQUE	B.D. TORQUE	F.L. RISE°C
15 LB-FT	138	41.1 LB-FT 242 %	32.5 LB-FT 191 %	72

SOUND PRESSURE @ 3 FT.	SOUND POWER	ROTOR WK^2	MAX. WK^2	SAFE STALL TIME	STARTS / HOUR	APPROX. MOTOR WGT
62 dBA	72 dBA	0.46 LB-FT^2	0.5 LB-FT^2	10 SEC.	0	84 LBS.

***** SUPPLEMENTAL INFORMATION *****

DE BRACKET TYPE	ODE BRACKET TYPE	MOUNT TYPE	ORIENTATION	SEVERE DUTY	HAZARDOUS LOCATION	DRIP COVER	SCREENS	PAINT
C-FACE	STANDARD	ROUND	HORIZONTAL	FALSE	NONE	FALSE	NONE	BLUE - LEESON (ENAMEL)

BEARINGS		GREASE	SHAFT TYPE	SPECIAL DE	SPECIAL ODE	SHAFT MATERIAL	FRAME MATERIAL
DE	ODE						
BALL	BALL	POLYREX EM	T	NONE	NONE	AISI 1045 (C-240)	ROLLED STEEL
6206	6205						

THERMO-PROTECTORS				THERMISTORS	CONTROL	SPACE HEATERS
THERMOSTATS	PROTECTORS	WDG RTDs	BRG RTDs			
NONE	NOT	NONE	NONE	NONE	FALSE	NONE VOLTS

*
N
O
T
E
S

INVERTER TORQUE: NONE
INV. HP SPEED RANGE: NONE
ENCODER: NONE
NONE NONE
NONE NONE PPR
BRAKE: NONE NONE
NONE P/N NONE
NONE NONE
NONE FT-LB NONE V NONE HZ

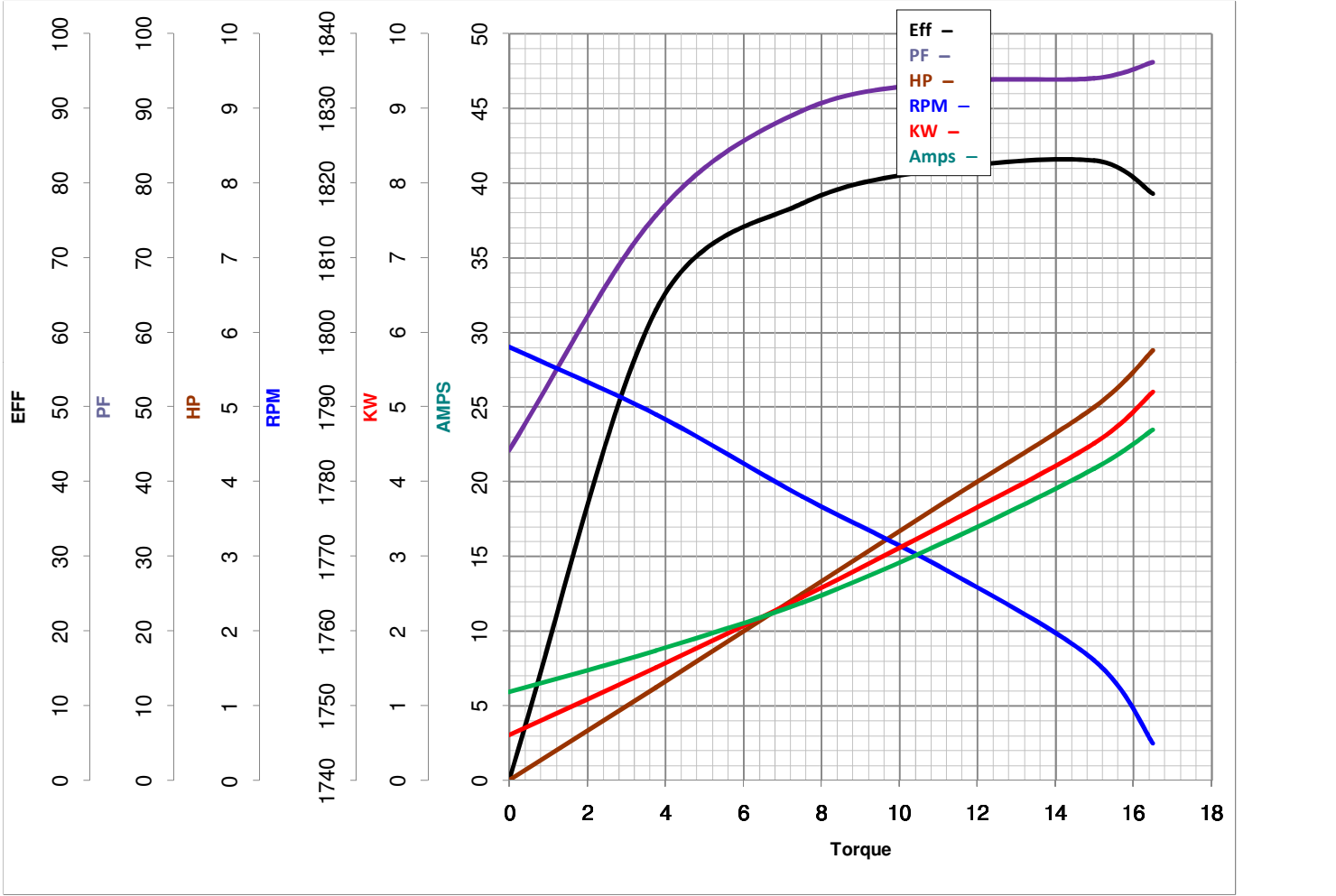


LEESON ELECTRIC CORPORATION
 TYPICAL PERFORMANCE CURVE for AC MOTOR

Model No 131539.00

Catalog No 131539.00

Curve at 230 Volts HP 5.00 PHASE 1
60 HZ
5 HP VOLTS 208-230
 HZ 60 RPM 1740



FL TORQUE	<u>15</u>	Lb.Ft	FL AMPS	<u>23-21</u>	
BD TORQUE	<u>32.5</u>	Lb.Ft	PU TORQUE	<u>28.9</u>	Lb.Ft
LR TORQUE	<u>41.1</u>	Lb.Ft	LR AMPS	<u>138</u>	
WINDING	K8450-2		Date	4/9/2018	