

PRODUCT INFORMATION PACKET



Model No: 120376.00
Catalog No: 120376.00
Agricultural Motor, 3 HP, 1 Ph, 60 Hz, 230 V, 3600 RPM, 145T Frame, TEAO



Regal and Leeson are trademarks of Regal Rexnord Corporation or one of its affiliated companies.
©2022 Regal Rexnord Corporation, All Rights Reserved. MC017097E





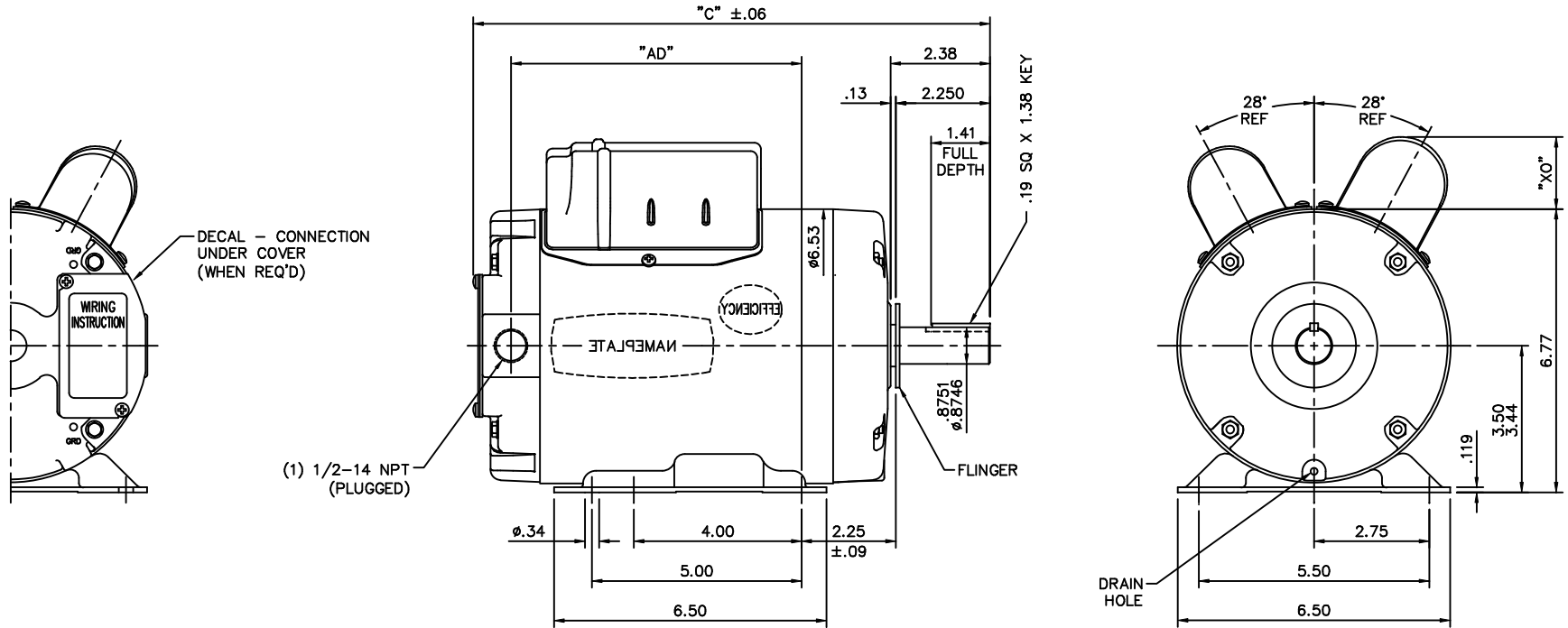
Nameplate Specifications

| | | | |
|------------------------|----------------------|----------------------------|----------------------------------|
| Output HP | 3 Hp | Output KW | 2.2 kW |
| Frequency | 60 Hz | Voltage | 230 V |
| Current | 12.8 A | Speed | 3450 rpm |
| Service Factor | 1 | Phase | 1 |
| Efficiency | 82.5 % | Power Factor | 92 |
| Duty | Continuous | Insulation Class | F |
| Design Code | L | KVA Code | J |
| Frame | 145T | Enclosure | Totally Enclosed Air Over |
| Thermal Protection | No Protection | Ambient Temperature | 40 °C |
| Drive End Bearing Size | 6205 | Opp Drive End Bearing Size | 6203 |
| UL | Recognized | CSA | Y |
| CE | N | IP Code | 43 |
| Number of Speeds | 1 | | |

Technical Specifications

| | | | |
|-----------------------|--------------------------------------|-----------------------|-----------------------------------|
| Electrical Type | Capacitor Start Capacitor Run | Starting Method | Across The Line |
| Poles | 2 | Rotation | Selective Counterclockwise |
| Resistance Main | .71 Ohms | Mounting | Rigid Base |
| Motor Orientation | Horizontal | Drive End Bearing | Ball |
| Opp Drive End Bearing | Ball | Frame Material | Rolled Steel |
| Shaft Type | T | Overall Length | 13.84 in |
| Frame Length | 8.50 in | Shaft Diameter | 0.875 in |
| Shaft Extension | 2.25 in | Assembly/Box Mounting | F1 ONLY |
| Connection Drawing | 005018.09 | Outline Drawing | 028649-850B |

This is an uncontrolled document once printed or downloaded and is subject to change without notice. Date Created:11/28/2022



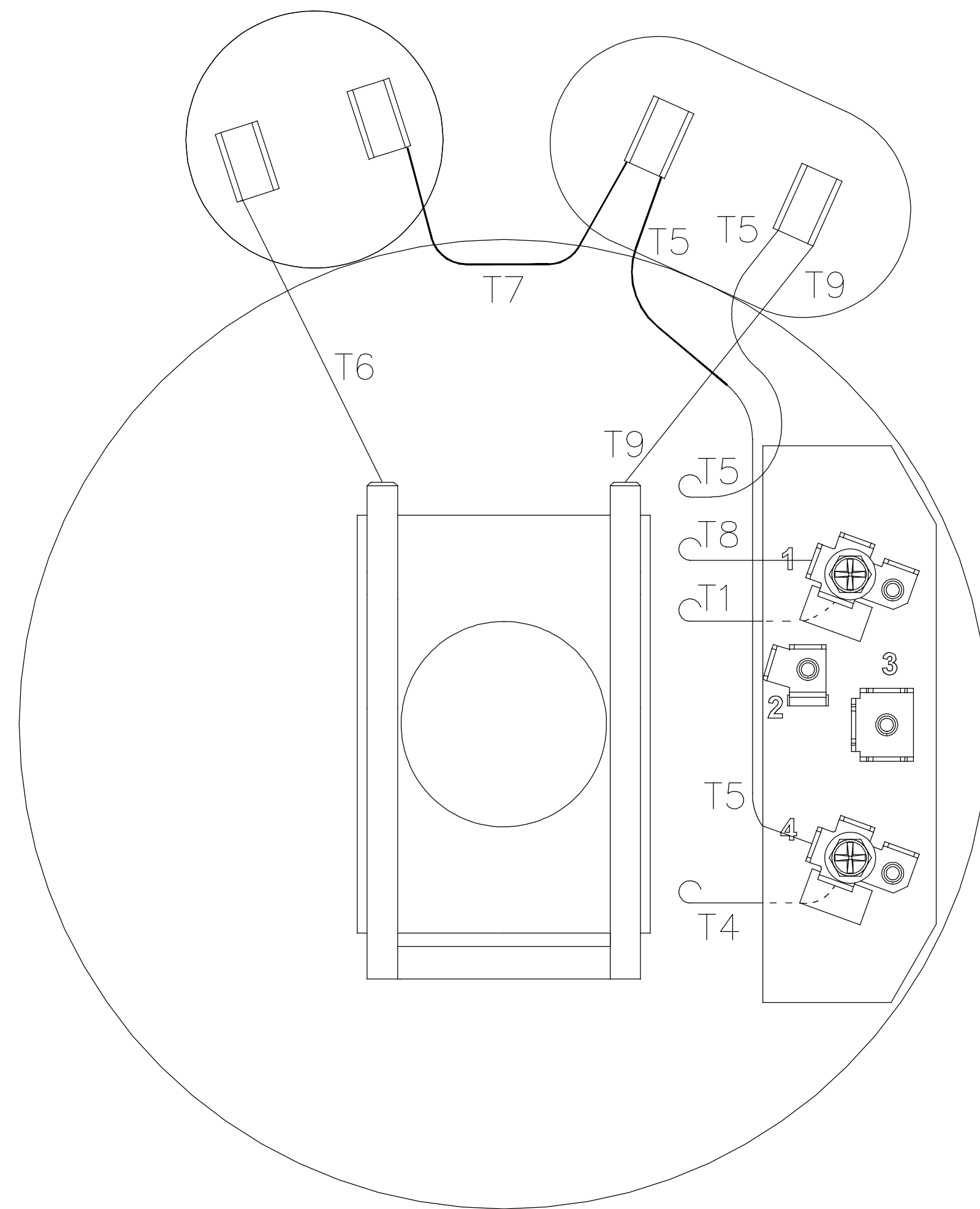
| DASH NO. | "C" | "AD" | CAP. DASH | "XO" |
|----------|-------|------|-----------|------|
| 650 | 11.84 | 6.44 | A | 1.06 |
| 700 | 12.34 | 6.94 | B | 1.51 |
| 750 | 12.84 | 7.44 | C | 1.73 |
| 800 | 13.34 | 7.94 | | |
| 850 | 13.84 | 8.44 | | |

GASKETS THROUGHOUT

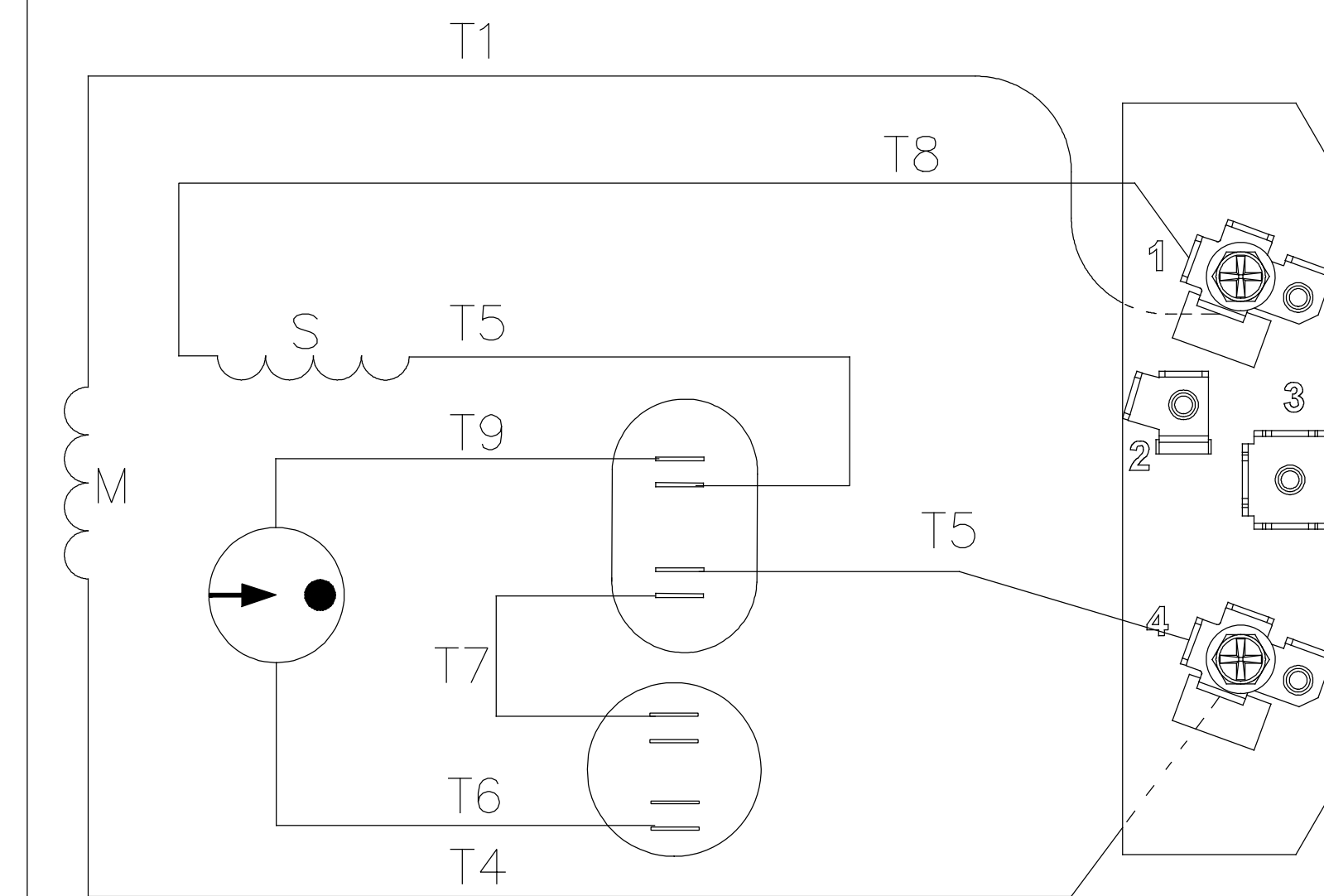
| NO. | | REVISION | BY & DATE | CHK | ANG | ±1/2" | FINISH | ELECTRIC MOTORS GEARMOTORS AND DRIVES | | DRAWN | RDW 10/27/04 | | | |
|--|--|----------|-----------|-----|-----|-------|--------|---|----------|----------|--------------|------|-------------|------|
| TOLERANCES UNLESS SPECIFIED | | | | | | | | | | CHK | | | | |
| DEC. INCHES | | | | | | | | | | APPD | SW 10/27/04 | | | |
| .X ±.1 | | | | | | | | | | TITLE | SCALE 3=8 | | | |
| .XX ±.03 | | | | | | | | | | REF | | | | |
| .XXX ±.005 | | | | | | | | | | FMF | 120376 | | | |
| .XXXX ±.0005 | | | | | | | | MAT'L | PREV | | | | | |
| THIS DRAWING IN DESIGN AND DETAIL IS OUR PROPERTY AND MUST NOT BE USED EXCEPT IN CONNECTION WITH OUR WORK ALL RIGHTS OF DESIGN AND INVENTION ARE RESERVED THIS IS AN ELECTRONICALLY GENERATED DOCUMENT - DO NOT SCALE THIS PRINT | | | | | | | | RFP | 10/27/04 | CAD FILE | 028649 | SIZE | DRAWING NO. | REV. |
| | | | | | | | | DIST | BRF | B | 028649 | | | |

005018-09

VIEW FROM OUTSIDE OF MOTOR AT SWITCH END.



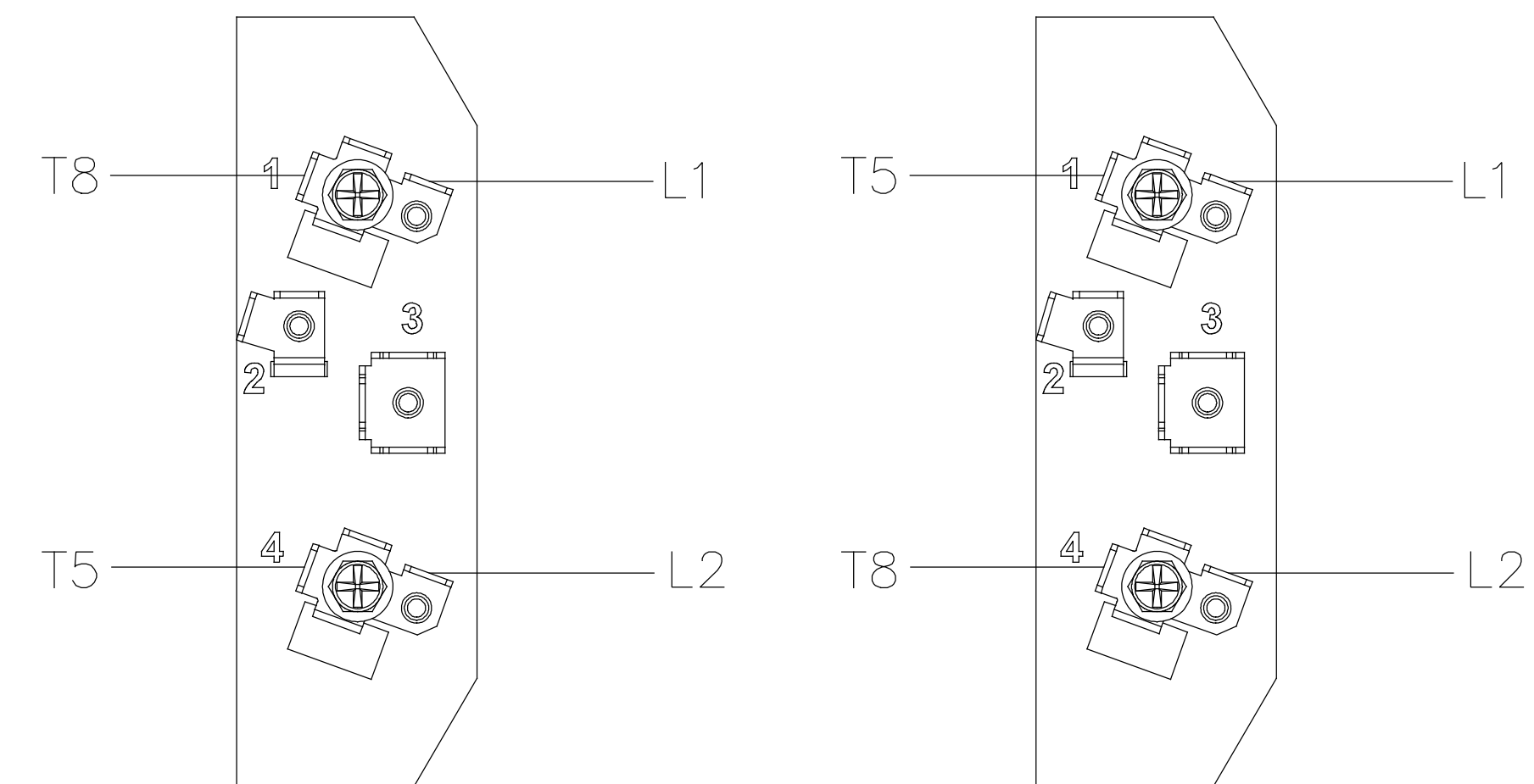
LINE LEADS



CONNECT T1 & T4 LEADS TO UNDERSIDE OF TERMINAL BOARD

C.C.W.LE ROTATION

C.W.LE ROTATION



ORACLE REV
005

| | | | | | | | | |
|---|--|-----|----------|---------------------------------------|---------|------------------------------------|--------|-------------------------|
| | | | | TOLERANCES UNLESS OTHERWISE SPECIFIED | | LEESON ELECTRIC CORPORATION | | |
| | | | | DECIMALS | | | | |
| E | ADDED NOTE FOR T1 & T4 PER ECO-0138106 | ARV | 1/17/18 | .00 | ± .01 | DRAWN PG 10/20/82 | TITLE | EXTERNAL WIRING DIAGRAM |
| D | UPDATED DRAWING PER ECO-0138043 | ARV | 1/16/18 | .000 | ± .005 | CH'K'D. RPB 10/20/82 | | TYPE "K" W/O PROTECTOR |
| C | UPDATED DRAWING PER ECO-0085728 | ARV | 09/24/15 | .0000 | ± .0005 | APPR. JCW 10/20/82 | MAT'L. | DECAL - |
| NO. | REVISION | BY | DATE | FRACTIONS | ± 1/64 | SCALE 1=1 | | BRF |
| THIS DRAWING IN DESIGN AND DETAIL IS OUR PROPERTY AND MUST NOT BE USED EXCEPT IN CONNECTION WITH OUR WORK ALL RIGHTS OF DESIGN AND INVENTION ARE RESERVED | | | | ANGLES | ± 1/2° | REF. 005018-P5 | FINISH | TAYLOR FREEZER |
| | | | | INCH/MM | | FMF | SIZE | A |



**1051 CHEYENNE AVE.
GRAFTON, WI 53024
PH. 262-377-8810**

CERTIFICATION DATA SHEET

CATALOG #: 120376.00

CONN. DIAGRAM: 005018.09

OUTLINE: 028649-850B

WINDING #: K632141 NR 2 B

MOUNTING: F1 ONLY

TYPICAL MOTOR PERFORMANCE DATA

| HP | kW | SYNC. RPM | F.L. RPM | FRAME | ENCLOSURE | KVA CODE | DESIGN |
|----|------|-----------|----------|-------|-----------|----------|--------|
| 3 | 2.24 | 3600 | 3450 | 145T | TEAO | J | L |

| PH | Hz | VOLTS | AMPS | START TYPE | DUTY | INSL | S.F. | AMB°C |
|----|----|-------|------|-----------------|------------|------|------|-------|
| 1 | 60 | 230 | 12.8 | ACROSS THE LINE | CONTINUOUS | F4 | 1.0 | 40 |

| FULL LOAD EFF: | 82.5 | 3/4 LOAD EFF: | 82 | 1/2 LOAD EFF: | 75 | GTD. EFF | ELEC. TYPE |
|----------------|------|---------------|------|---------------|------|----------|-------------------|
| FULL LOAD PF: | 92 | 3/4 LOAD PF: | 89.7 | 1/2 LOAD PF: | 85.2 | 80 | CAP START CAP RUN |

| F.L. TORQUE | LOCKED ROTOR AMPS | L.R. TORQUE | B.D. TORQUE | F.L. RISE°C |
|-------------|-------------------|-----------------|------------------|-------------|
| 4.5 LB-FT | 95 | 7.6 LB-FT 169 % | 12.1 LB-FT 269 % | 50 |

| SOUND PRESSURE @ 3 FT. | SOUND POWER | ROTOR WK^2 | MAX. WK^2 | SAFE STALL TIME | STARTS / HOUR | APPROX. MOTOR WGT |
|------------------------|-------------|---------------|-------------|-----------------|---------------|-------------------|
| 0 dBA | 10 dBA | 0.095 LB-FT^2 | 0.1 LB-FT^2 | 0 SEC. | 0 | 48 LBS. |

***** SUPPLEMENTAL INFORMATION *****

| DE BRACKET TYPE | ODE BRACKET TYPE | MOUNT TYPE | ORIENTATION | SEVERE DUTY | HAZARDOUS LOCATION | DRIP COVER | SCREENS | PAINT |
|-----------------|------------------|------------|-------------|-------------|--------------------|------------|---------|----------------------|
| STANDARD | STANDARD | RIGID | HORIZONTAL | FALSE | NONE | FALSE | NONE | GRAY - LIGHT (EPOXY) |

| BEARINGS | | GREASE | SHAFT TYPE | SPECIAL DE | SPECIAL ODE | SHAFT MATERIAL | FRAME MATERIAL |
|----------|------|------------|------------|------------|-------------|--------------------------|----------------|
| DE | ODE | | | | | | |
| BALL | BALL | POLYREX EM | T | NONE | NONE | 1144 STRESSPROOF (C-223) | ROLLED STEEL |
| 6205 | 6203 | | | | | | |

| THERMO-PROTECTORS | | | | THERMISTORS | CONTROL | SPACE HEATERS |
|-------------------|------------|----------|----------|-------------|---------|---------------|
| THERMOSTATS | PROTECTORS | WDG RTDs | BRG RTDs | | | |
| NONE | NOT | NONE | NONE | NONE | FALSE | NONE VOLTS |

*
N
O
T
E
S
*

| |
|--|
| INVERTER TORQUE: NONE |
| INV. HP SPEED RANGE: NONE |
| ENCODER: NONE NONE NONE NONE NONE PPR |
| BRAKE: NONE NONE NONE P/N NONE NONE NONE NONE FT-LB NONE V NONE Hz |



LEESON ELECTRIC CORPORATION

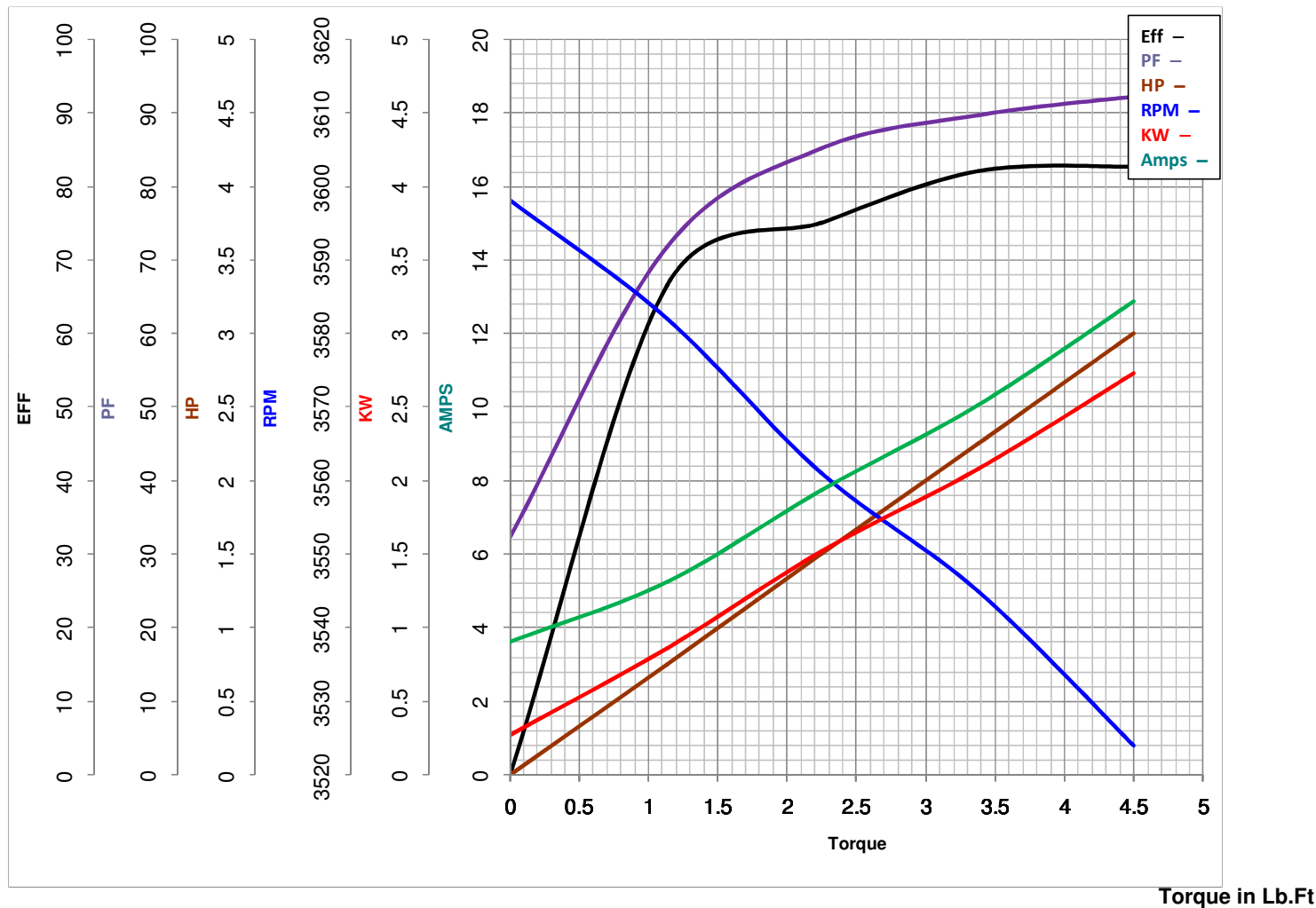
TYPICAL PERFORMANCE CURVE for AC MOTOR

Model No 120376.00

Catalog No 120376.00

Curve at 230 Volts HP 3.00 PHASE 1
60 HZ
3 HP VOLTS 230

HZ 60 RPM 3450



| | | | | | |
|-----------|-------------|-------|-----------|------------------|-------|
| FL TORQUE | <u>4.5</u> | Lb.Ft | FL AMPS | <u>12.8</u> | |
| BD TORQUE | <u>12.1</u> | Lb.Ft | PU TORQUE | <u>7.0</u> | Lb.Ft |
| LR TORQUE | <u>7.6</u> | Lb.Ft | LR AMPS | <u>95</u> | |
| WINDING | K632141-2 | | Date | <u>3/15/2018</u> | |