

# PRODUCT INFORMATION PACKET



Model No: 117866.00  
Catalog No: 117866.00  
Agricultural Motor, 1.50 HP, 1 Ph, 60 Hz, 115/230 V, 1800 RPM, 56H Frame, TEFC

**Operational at 115/208-230 V @60HZ**



Regal and Leeson are trademarks of Regal Rexnord Corporation or one of its affiliated companies.  
©2023 Regal Rexnord Corporation, All Rights Reserved. MC017097E



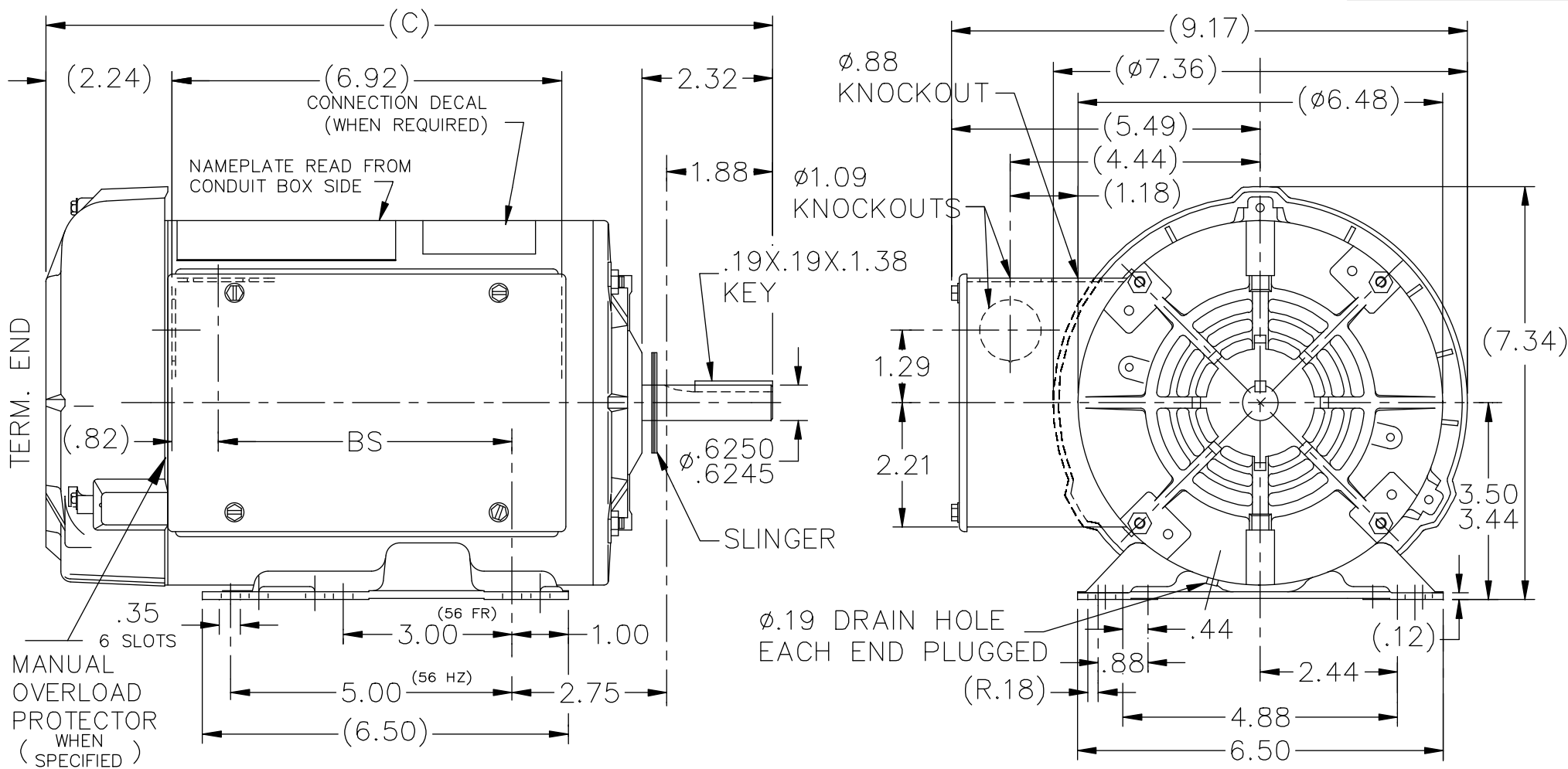


### Nameplate Specifications


Phase	1	Output HP	1.50 Hp
Output KW	1.1 kW	Voltage	115/230 V
Speed	1725 rpm	Service Factor	1.15
Frame	56H	Enclosure	Totally Enclosed Fan Cooled
Thermal Protection	Manual	Efficiency	80 %
Ambient Temperature	40 °C	Frequency	60 Hz
Current	15.2/7.6 A	Power Factor	80
Duty	Continuous	Insulation Class	B
Design Code	L	KVA Code	J
Drive End Bearing Size	6203	Opp Drive End Bearing Size	6203
UL	Recognized	CSA	Y
CE	N	IP Code	43
Number of Speeds	1		

### Technical Specifications

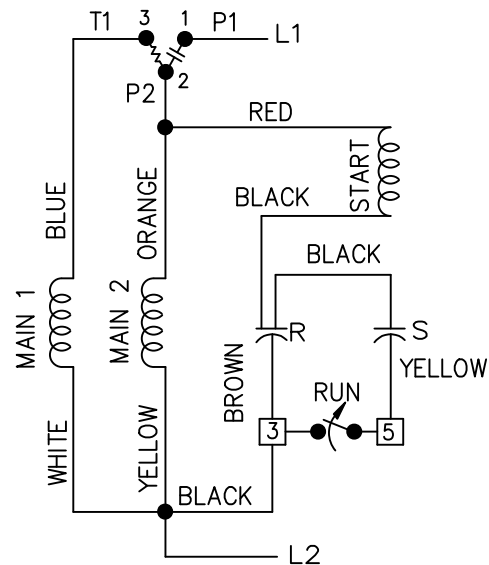
Electrical Type	Capacitor Start Capacitor Run	Starting Method	Across The Line
Poles	4	Rotation	Selective Counterclockwise
Resistance Main	0 Ohms	Mounting	Rigid Base
Motor Orientation	Horizontal	Drive End Bearing	Ball
Opp Drive End Bearing	Ball	Frame Material	Rolled Steel
Shaft Type	NEMA 56	Overall Length	13.82 in
Frame Length	8.56 in	Shaft Diameter	0.625 in
Shaft Extension	1.88 in	Assembly/Box Mounting	F1 ONLY
Connection Drawing	A-102006-52-LE	Outline Drawing	A-100138LE-856



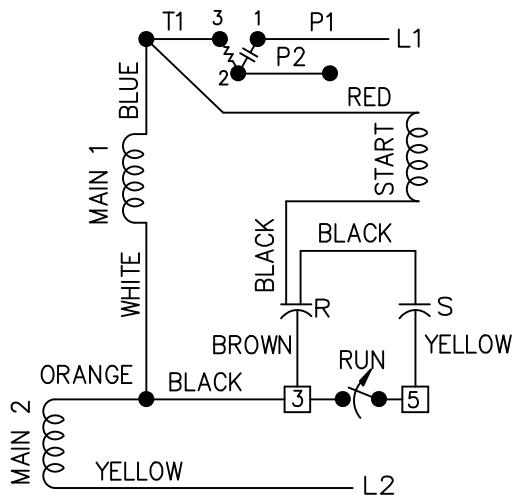
DASH	FR.	C	BS
856	56-85	13.82	6.14

				TOLERANCES UNLESS SPECIFIED		 ELECTRIC MOTORS GEARMOTORS AND DRIVES	DRAWN ML 01-11-1992
				DEC.	INCHES		CHK GK 01-12-1992
				.X	±.1		APPD FG 01-12-1992
				.XX	±.03		SCALE 3=8
4	REDRAWN IN AUTOCAD	TAT 06-13-2005	ML	.XXX	±.005	TITLE OUTLINE	REF
3	REDRAWN ON CADD, ADDED CONN. DECAL	ML 01-12-1992		.XXXX	±.0005	56 FR.-BB-TEFC-1Ø-MAN. PROT.	FMF
NO.	REVISION	BY & DATE	CHK	ANG	±7'30"	MAT'L.	PREV
THIS DRAWING IN DESIGN AND DETAIL IS OUR PROPERTY AND MUST NOT BE USED EXCEPT IN CONNECTION WITH OUR WORK ALL RIGHTS OF DESIGN AND INVENTION ARE RESERVED THIS IS AN ELECTRONICALLY GENERATED DOCUMENT - DO NOT SCALE THIS PRINT				RFP		CAD FILE 100138LE	SIZE A
				DIST	WP		DRAWING NO. 100138LE
							PAGE OF 4
							REV. 4

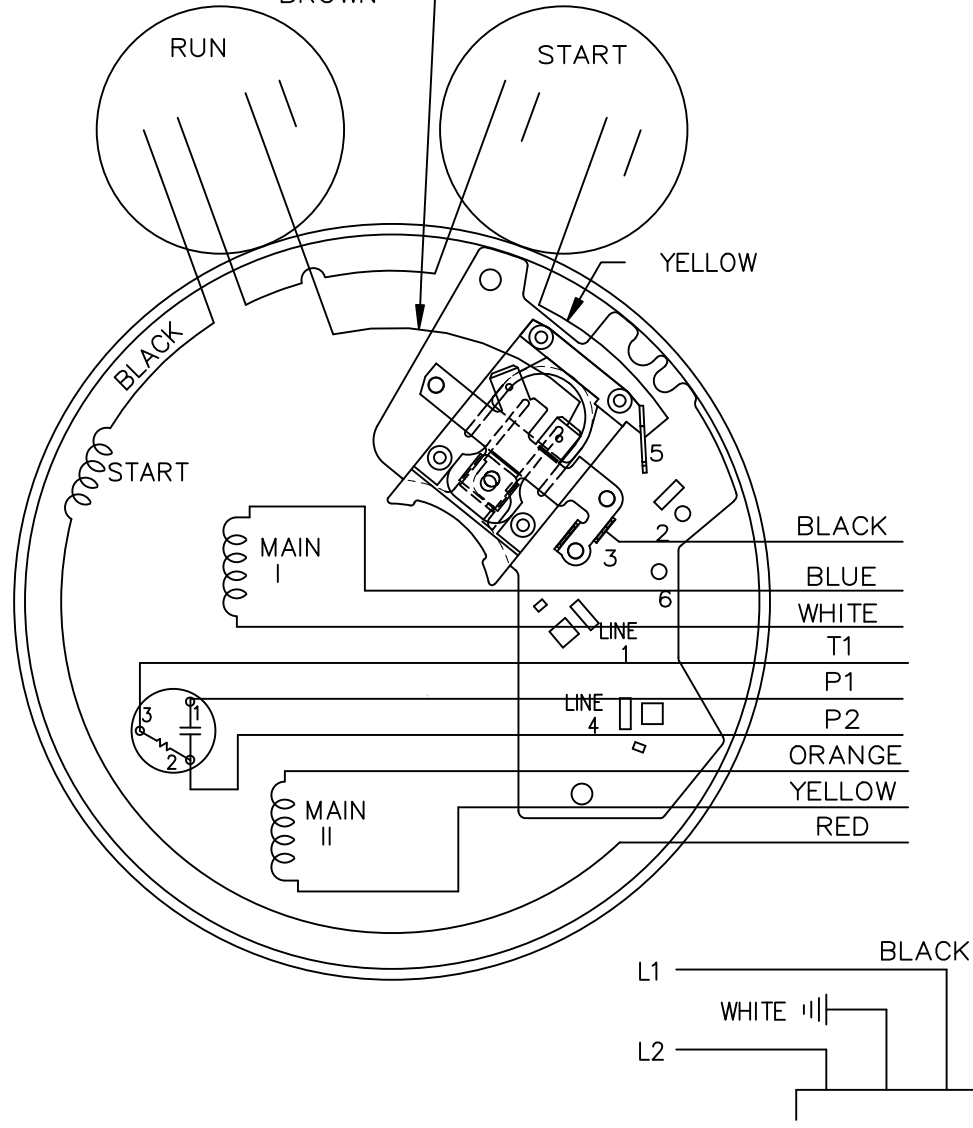
LOW VOLTAGE C.C.W.



HIGH VOLTAGE C.C.W.



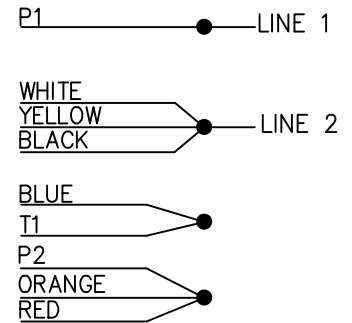
BROWN LEAD MAYBE CONNECTED ON POST 3 TO ELIMINATE GROUNDING



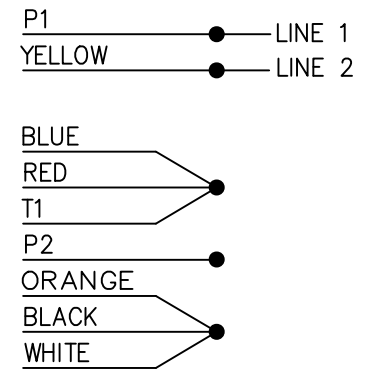
102006-52-LE

DUAL VOLTAGE  
CAP START-CAP RUN  
OVERLOAD  
SELECT ROTATION


LOW VOLT. CCW ROT.



HIGH VOLT. CCW ROT.



FOR CW ROT. EITHER  
VOLTAGE INTERCHANGE  
RED WITH BLACK LEAD.

				TOLERANCES UNLESS SPECIFIED		 ELECTRIC MOTORS GEARMOTORS AND DRIVES	DRAWN NJS 02-24-2004
				DEC.	INCHES		CHK ML 02-24-2004
				.X	±.1		APPD JET 02-25-2004
				.XX	±.02		SCALE 5=8
				.XXX	±.005		REF
1	CHG'ED SWITCH TO OPEN WHEN RUNNING ISAAC 11-2715	KBB 06-23-2011	EH	.XXXX	±.0005	MAT'L.	FMF MU49983
NO.	REVISION	BY & DATE	CHK	ANG	±7'30"	FINISH	PREV
THIS DRAWING IN DESIGN AND DETAIL IS OUR PROPERTY AND MUST NOT BE USED EXCEPT IN CONNECTION WITH OUR WORK ALL RIGHTS OF DESIGN AND INVENTION ARE RESERVED THIS IS AN ELECTRONICALLY GENERATED DOCUMENT - DO NOT SCALE THIS PRINT				RFP 02-25-2004	CAD FILE 102006-52-LE	SIZE A	DRAWING NO. 102006-52-LE
				DIST WP			PAGE OF 1



1051 CHEYENNE AVE.  
 GRAFTON, WI 53024  
 PH. 262-377-8810

**CERTIFICATION DATA SHEET**

**CONN. DIAGRAM:** A-102006-52-LE  
**OUTLINE:** A-100138LE-856  
**WINDING #:** ZB406 3

**CATALOG #:** 117866.00  
**MOUNTING:** F1 ONLY

**TYPICAL MOTOR PERFORMANCE DATA**

HP	kW	SYNC. RPM	F.L. RPM	FRAME	ENCLOSURE	KVA CODE	DESIGN
1 1/2	1.12	1800	1725	56H	TEFC	J	L

PH	Hz	VOLTS	AMPS	START TYPE	DUTY	INSL	S.F.	AMB°C
1	60	115/208-230	15.2/8.2-7.6	ACROSS THE LINE	CONTINUOUS	B3	1.15	40

FULL LOAD EFF:	80	3/4 LOAD EFF:	80.5	1/2 LOAD EFF:	76.1	GTD. EFF	ELEC. TYPE
FULL LOAD PF:	80	3/4 LOAD PF:	71.2	1/2 LOAD PF:	61	77	CAP START CAP RUN

F.L. TORQUE	LOCKED ROTOR AMPS	L.R. TORQUE	B.D. TORQUE	F.L. RISE°C
4.51 LB-FT	107.6 / 53.8	14.8 LB-FT 328 %	12.4 LB-FT 275 %	70

SOUND PRESSURE @ 3 FT.	SOUND POWER	ROTOR WK^2	MAX. WK^2	SAFE STALL TIME	STARTS / HOUR	APPROX. MOTOR WGT
0 dBA	10 dBA	0 LB-FT^2	0 LB-FT^2	0 SEC.	0	50 LBS.

**\*\*\* SUPPLEMENTAL INFORMATION \*\*\***

DE BRACKET TYPE	ODE BRACKET TYPE	MOUNT TYPE	ORIENTATION	SEVERE DUTY	HAZARDOUS LOCATION	DRIP COVER	SCREENS	PAINT
STANDARD	STANDARD	RIGID	HORIZONTAL	FALSE	NONE	FALSE	NONE	GRAY (POWDER)

BEARINGS		GREASE	SHAFT TYPE	SPECIAL DE	SPECIAL ODE	SHAFT MATERIAL	FRAME MATERIAL
DE	ODE						
BALL	BALL	POLYREX EM	T	NONE	NONE	1144 STRESSPROOF (C-223)	ROLLED STEEL
6203	6203						

THERMO-PROTECTORS				THERMISTORS	CONTROL	SPACE HEATERS
THERMOSTATS	PROTECTORS	WDG RTDs	BRG RTDs			
NONE	MANUAL	NONE	NONE	NONE	FALSE	NONE VOLTS

\*  
N  
O  
T  
E  
S  
\*

<b>INVERTER TORQUE:</b> NONE
<b>INV. HP SPEED RANGE:</b> NONE
<b>ENCODER:</b> NONE NONE NONE NONE NONE PPR
<b>BRAKE:</b> NONE NONE NONE P/N NONE NONE NONE FT-LB NONE V NONE Hz



**1051 CHEYENNE AVE.  
GRAFTON, WI 53024  
PH. 262-377-8810**

**CERTIFICATION DATA SHEET**

**CUSTOMER:**  
**ORDER #:**  
**CONN. DIAGRAM:** A-102006-52-LE  
**OUTLINE:** A-100138LE-856  
**WINDING #:** ZB406 3

**CUSTOMER PO#:**  
**CATALOG #:**  
**CUSTOMER PART #:**  
**MOUNTING:** F1 ONLY

**TYPICAL MOTOR PERFORMANCE DATA**

HP	kW	SYNC. RPM	F.L. RPM	FRAME	ENCLOSURE	KVA CODE	DESIGN
1 1/2	1.12	1800	1725	56H	TEFC	J	L

PH	Hz	VOLTS	AMPS	START TYPE	DUTY	INSL	S.F.	AMB°C
1	60	115/208-230	15.2/8.2-7.6	ACROSS THE LINE	CONTINUOUS	B3	1.15	40

FULL LOAD EFF:	80	3/4 LOAD EFF:	80.5	1/2 LOAD EFF:	76.1	GTD. EFF	ELEC. TYPE
FULL LOAD PF:	80	3/4 LOAD PF:	71.2	1/2 LOAD PF:	61	77	CAP START CAP RUN

F.L. TORQUE	LOCKED ROTOR AMPS	L.R. TORQUE	B.D. TORQUE	F.L. RISE°C
4.51 LB-FT	107.6 / 53.8	14.8 LB-FT 328 %	12.4 LB-FT 275 %	70

SOUND PRESSURE @ 3 FT.	SOUND POWER	ROTOR WK^2	MAX. WK^2	SAFE STALL TIME	STARTS / HOUR	APPROX. MOTOR WGT
0 dBA	10 dBA	0 LB-FT^2	0 LB-FT^2	0 SEC.	0	0 LBS.

**\*\*\* SUPPLEMENTAL INFORMATION \*\*\***

DE BRACKET TYPE	ODE BRACKET TYPE	MOUNT TYPE	ORIENTATION	SEVERE DUTY	HAZARDOUS LOCATION	DRIP COVER	SCREENS	PAINT
STANDARD	STANDARD	RIGID	HORIZONTAL	FALSE	NONE	FALSE	NONE	GRAY (POWDER)

BEARINGS		GREASE	SHAFT TYPE	SPECIAL DE	SPECIAL ODE	SHAFT MATERIAL	FRAME MATERIAL
DE	ODE						
BALL	BALL	POLYREX EM	T	NONE	NONE	1144 STRESSPROOF (C-223)	ROLLED STEEL
6203	6203						

THERMO-PROTECTORS				THERMISTORS	CONTROL	SPACE HEATERS
THERMOSTATS	PROTECTORS	WDG RTDs	BRG RTDs			
NONE	MANUAL	NONE	NONE	NONE	FALSE	NONE VOLTS

* N O T E S *	<b>INVERTER TORQUE:</b> NONE
	<b>INV. HP SPEED RANGE:</b> NONE
	<b>ENCODER:</b> NONE NONE NONE NONE NONE PPR
	<b>BRAKE:</b> NONE NONE NONE P/N NONE NONE NONE FT-LB NONE V NONE Hz

**PREPARED BY:** Dinesh  
Suddula **DATE:**  
02/26/2019 07:24:24 AM  
FORM 3531 REV.3 02/07/99  
\*\* Subject to change without  
notice.



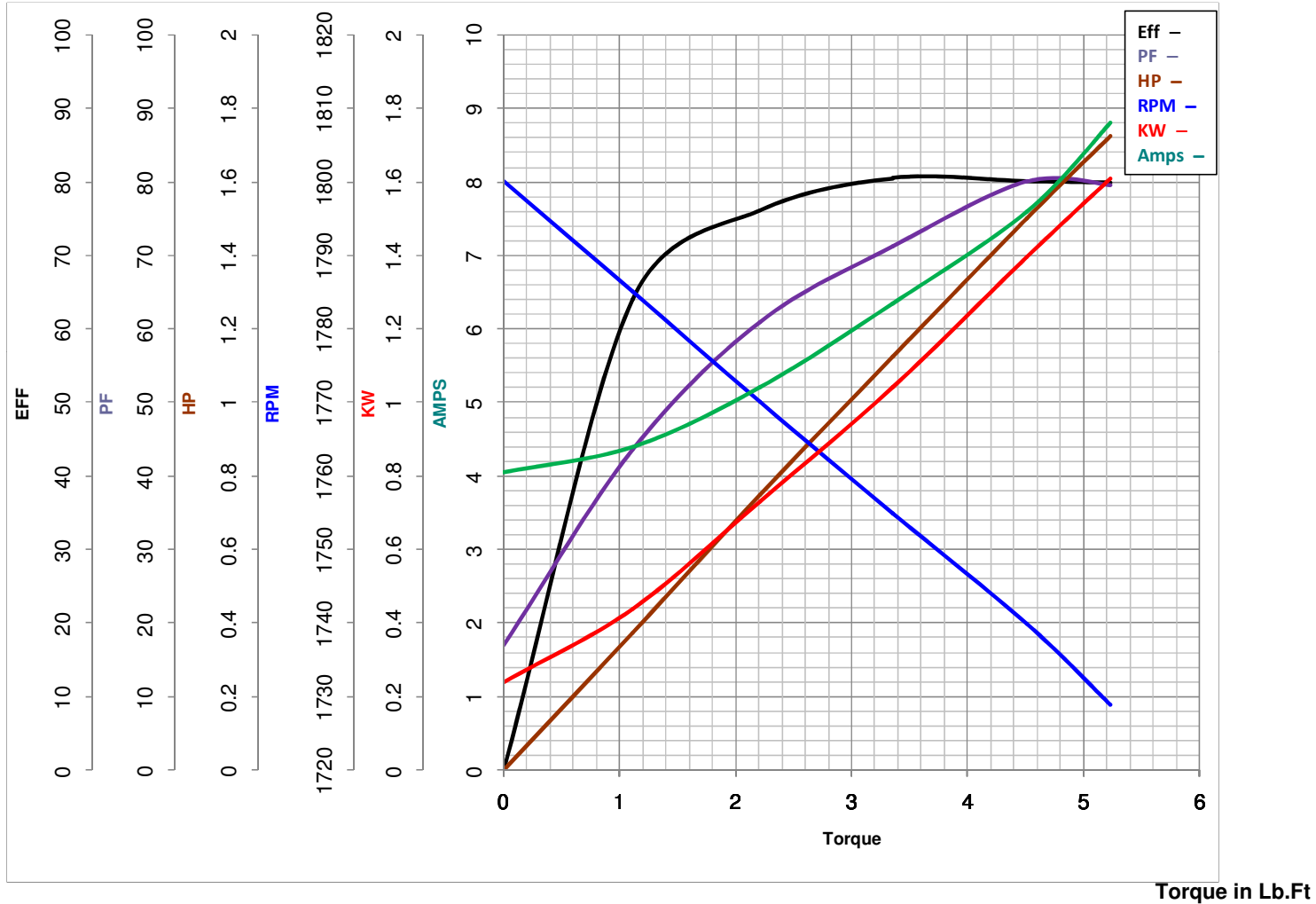
**LEESON ELECTRIC CORPORATION**  
 TYPICAL PERFORMANCE CURVE for AC MOTOR

Model No 117866.00

Catalog No 117866.00

Curve at 230 Volts HP 1.50 PHASE 1  
60 HZ  
1.5 HP VOLTS 115/208-230

HZ 60 RPM 1725



Torque in Lb.Ft

FL TORQUE 4.51 Lb.Ft  
 BD TORQUE 12.4 Lb.Ft  
 LR TORQUE 14.8 Lb.Ft

FL AMPS 15.2/8.2-7.6  
 PU TORQUE 12.6 Lb.Ft  
 LR AMPS 53.8

WINDING ZB406-3

Date 3/26/2018