

PRODUCT INFORMATION PACKET



Model No: 101079.00

Catalog No: 101079.00

0.33 HP General Purpose Motor, 3 phase, 1800 RPM, 208-230/460 V, 56 Frame, TEFC
General Purpose Motors



Regal and Leeson are trademarks of Regal Rexnord Corporation or one of its affiliated companies.
©2021 Regal Rexnord Corporation, All Rights Reserved. MC017097E



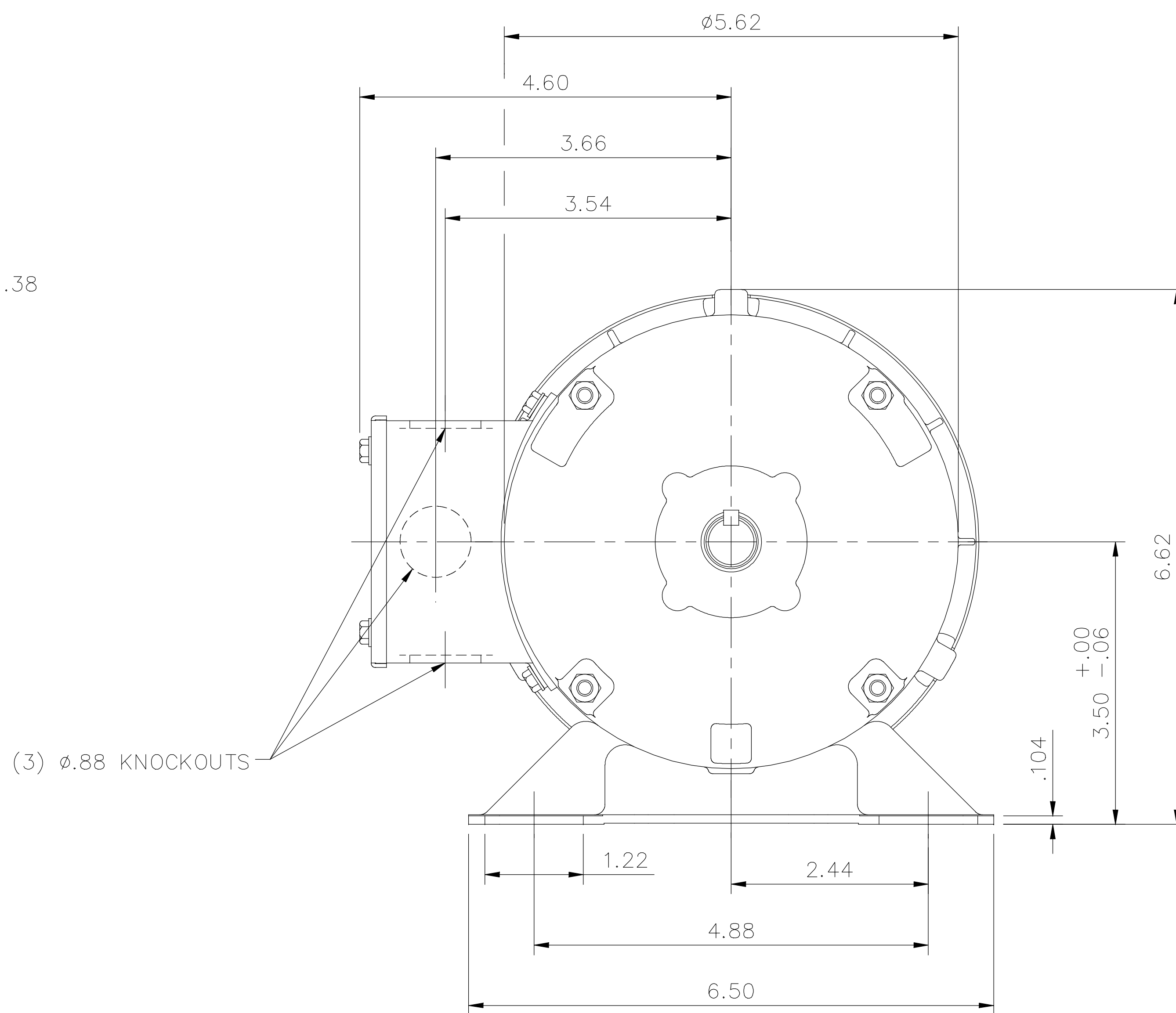
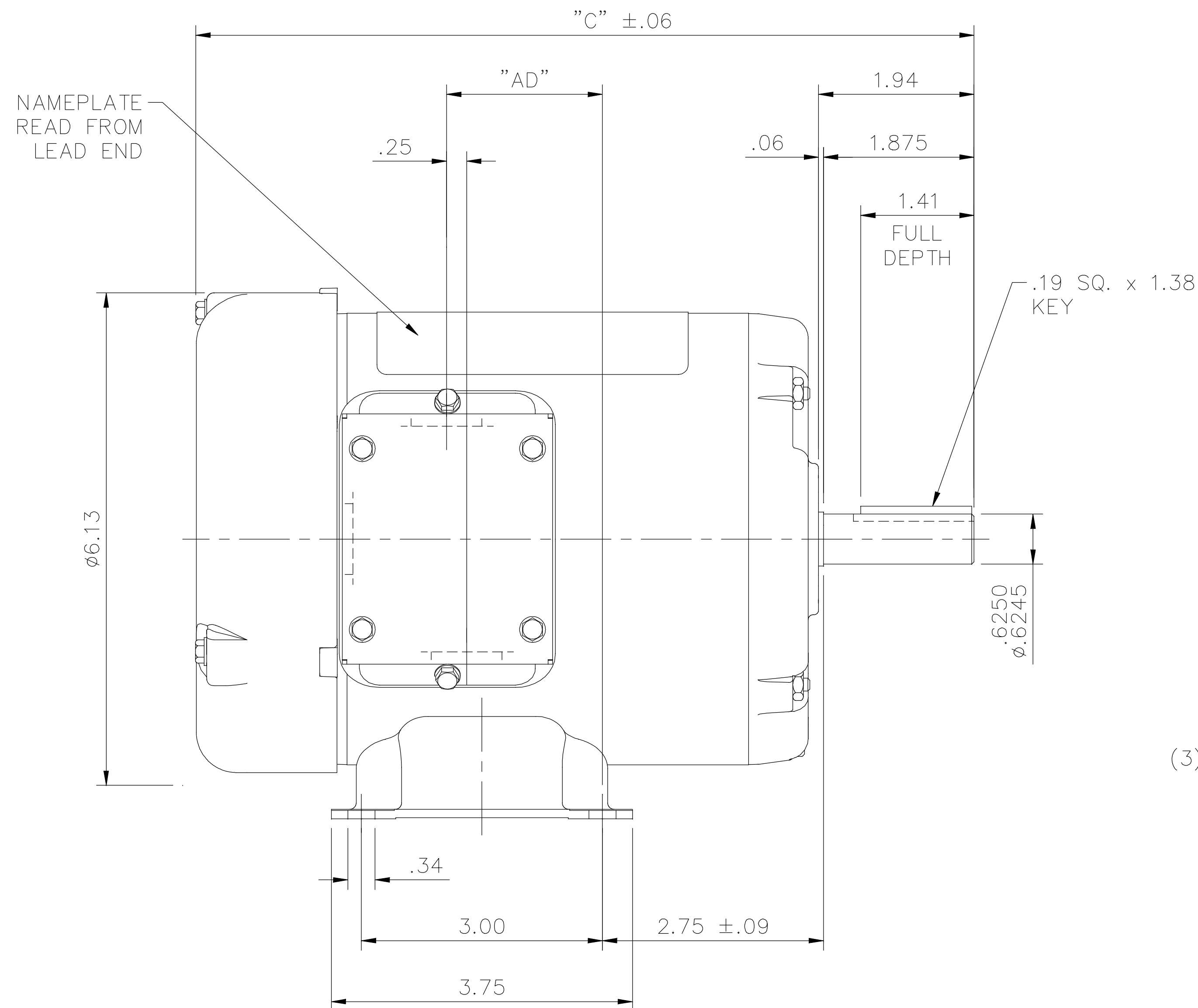


Nameplate Specifications

Output HP	0.33 Hp	Output KW	0.25 kW
Frequency	60 Hz	Voltage	208-230/460 V
Current	1.5-1.6/0.80 A	Speed	1725 rpm
Service Factor	1.15	Phase	3
Efficiency	64.3 %	Power Factor	61.1
Duty	Continuous	Insulation Class	B
Design Code	B	KVA Code	M
Frame	S56	Enclosure	Totally Enclosed Fan Cooled
Thermal Protection	No	Ambient Temperature	40 °C
Drive End Bearing Size	6203	Opp Drive End Bearing Size	6203
UL	Recognized	CSA	Y
CE	N	IP Code	43
Number of Speeds	1		

Technical Specifications

Electrical Type	Squirrel Cage Induction Run	Starting Method	Across The Line
Poles	4	Rotation	Reversible
Resistance Main	13.128 Ohms	Mounting	Rigid Base
Motor Orientation	Horizontal	Drive End Bearing	Ball
Opp Drive End Bearing	Ball	Frame Material	Rolled Steel
Shaft Type	NEMA 56	Overall Length	9.69 in
Frame Length	5.00 in	Shaft Diameter	0.625 in
Shaft Extension	1.88 in	Assembly/Box Mounting	F1 ONLY
Outline Drawing	031632-500	Connection Drawing	005010.01



DASH NO.	"C"	"AD"
500	9.69	1.94
525	9.94	2.19
550	10.19	2.44
575	10.44	2.69
600	10.69	2.94
625	10.94	3.19
650	11.19	3.44
675	11.44	3.69

GASKETS THROUGHOUT

				TOLERANCES UNLESS OTHERWISE SPECIFIED			LEESON ELECTRIC CORPORATION						
				DEC.	INCHES	METRIC	DRAWN PG 5/30/01		TITLE OUTLINE - S56 FRAME RIGID MOUNT - TEFC				
				.X	±.1	±2.5	APPR.		MAT'L. 3 PHASE				
A	ADDED NAMEPLATE ORIENTATION			DS	04/05/18	PVR	.XXX	±.005	±.127	R.F.P.			
NO.	REVISION			BY & DATE	CH'K'D.	.XXXX	±.0005	±.0127	SCALE	1=2			
THIS DRAWING IN DESIGN AND DETAIL IS OUR PROPERTY AND MUST NOT BE USED EXCEPT IN CONNECTION WITH OUR WORK ALL RIGHTS OF DESIGN AND INVENTION ARE RESERVED THIS IS AN ELECTRONICALLY GENERATED DOCUMENT - DO NOT SCALE THIS PRINT							FRACTIONS	±1/64	REF.	030391	FINISH	REV. A	DRAWING NO. 031632
							ANGLES	±1/2°	FMF	101078			

005010-01

VIEW FROM OUTSIDE OF MOTOR AT SWITCH END.



VOLTAGE	L1	L2	L3	JOIN & INSULATE
HIGH	T1	T2	T3	(T4,T7) (T5,T8) (T6,T9)
LOW	T1,T7	T2,T8	T3,T9	T4,T5,T6

				TOLERANCES UNLESS SPECIFIED		Regal Beloit America, Inc.		DRAWN RDW 04/12/02				
				DEC.	INCHES			CHK				
				.X	±.1			APPD				
				.XX	±.01			SCALE 1=1				
				.XXX	±.005	TITLE		REF FIG.2-51				
A	UPDATED TO REGAL LOGO			SAJ	06/26/15	AJY	.XXXX	±.0005	MAT'L. DECAL - 004014	FMF		
NO.	REVISION			BY & DATE	CHK	ANG	±1/2"		FINISH	PREV		
THIS DRAWING IN DESIGN AND DETAIL IS OUR PROPERTY AND MUST NOT BE USED EXCEPT IN CONNECTION WITH OUR WORK ALL RIGHTS OF DESIGN AND INVENTION ARE RESERVED THIS IS AN ELECTRONICALLY GENERATED DOCUMENT - DO NOT SCALE THIS PRINT				RFP	04/12/02		CAD FILE	00501001		SIZE	DRAWING NO.	REV.
				DIST	BRF-NLV				A	005010-01		A

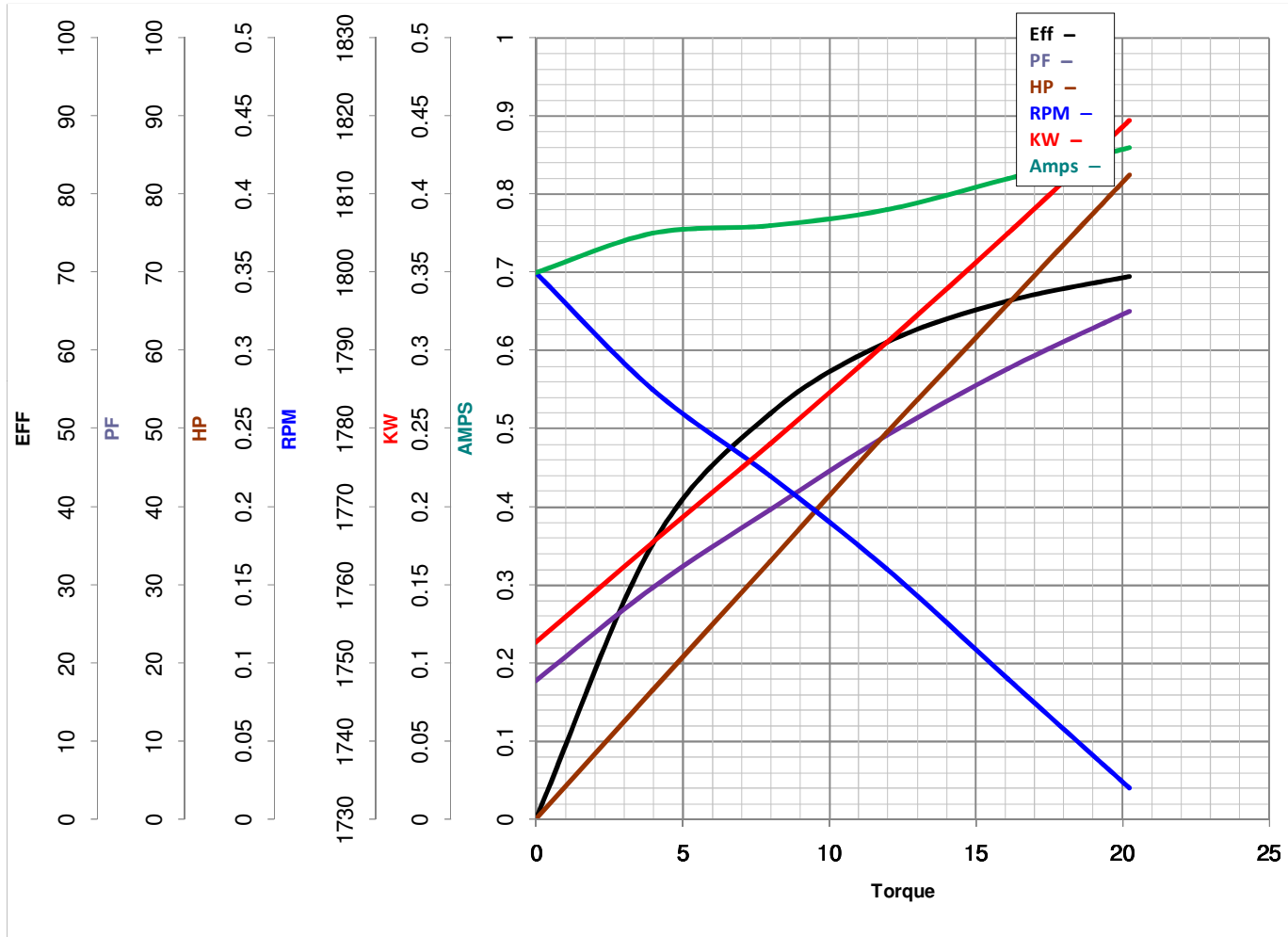


LEESON ELECTRIC CORPORATION
 TYPICAL PERFORMANCE CURVE for AC MOTOR

Model No 101079.00

Catalog No 101079.00

Curve at 460 Volts HP 0.33 PHASE 3
60 HZ
0.33 HP VOLTS 208-230/460
 HZ 60 RPM 1725



Torque in Oz.Ft

FL TORQUE 16.08 Oz.Ft
 BD TORQUE 82.3 Oz.Ft
 LR TORQUE 67.11 Oz.Ft

FL AMPS 1.5-1.6/8
 PU TORQUE 66.6 Oz.Ft
 LR AMPS 4.7

WINDING TE48414-3

Date 5/28/2018