

# PRODUCT INFORMATION PACKET



Model No: 170143.60

Catalog No: 170143.60

WATTSAYER® General Purpose Motor, 10 & 7.50 HP, 3 Ph, 60 & 50 Hz, 208-230/460 & 190/380 V,  
3600 & 3000 RPM, 213T Frame, DP



Regal and Leeson are trademarks of Regal Rexnord Corporation or one of its affiliated companies.

©2023 Regal Rexnord Corporation, All Rights Reserved. MC017097E



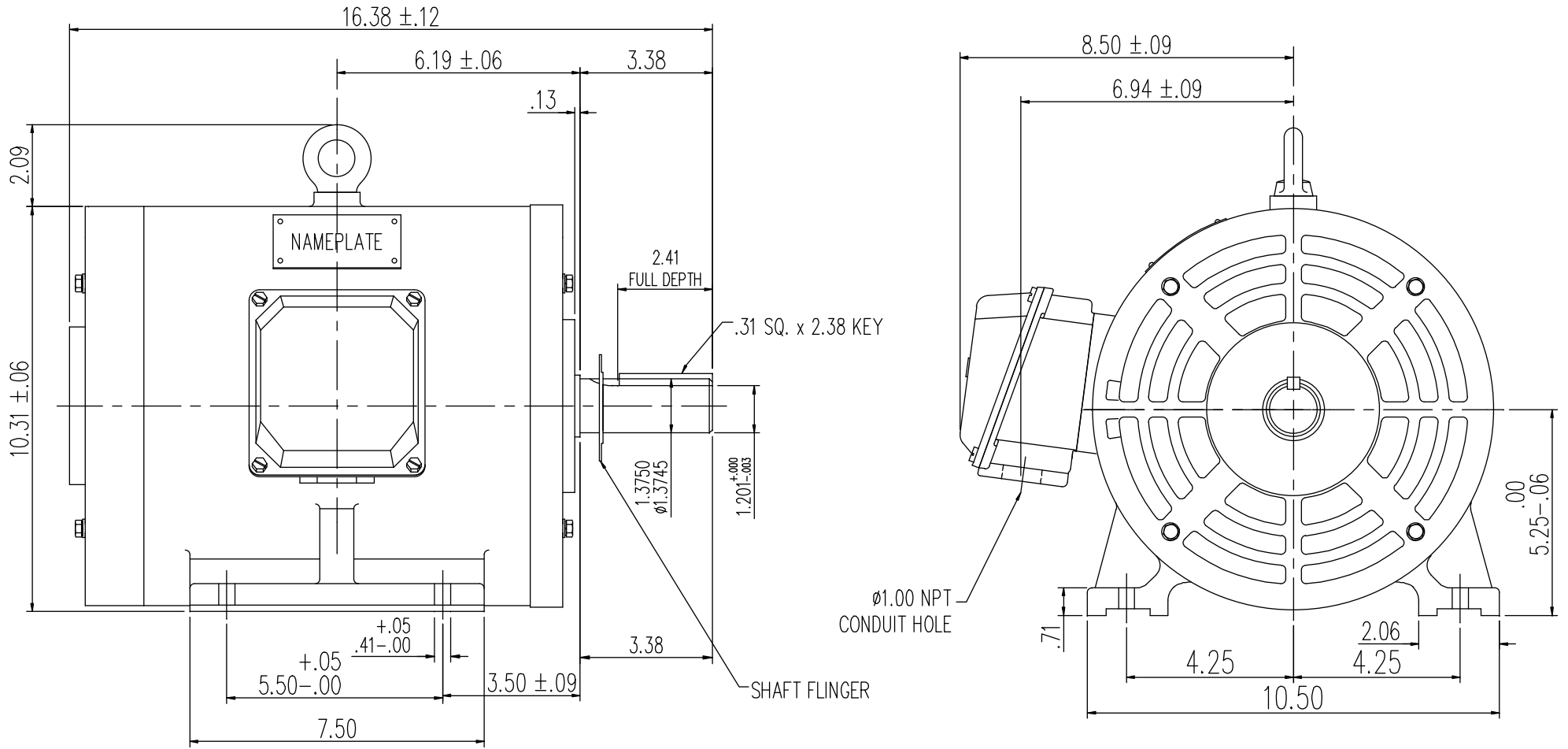



### Nameplate Specifications

Phase	<b>3</b>	Output HP	<b>10 &amp; 7.50 Hp</b>
Output KW	<b>7.5 &amp; 5.6 kW</b>	Voltage	<b>208-230/460 &amp; 190/380 V</b>
Speed	<b>3525 &amp; 2930 rpm</b>	Service Factor	<b>1.15 &amp; 1.15</b>
Frame	<b>213T</b>	Enclosure	<b>Drip Proof</b>
Thermal Protection	<b>Thermostat</b>	Efficiency	<b>90.2 &amp; 90.2 %</b>
Ambient Temperature	<b>40 °C</b>	Frequency	<b>60 &amp; 50 Hz</b>
Current	<b>25-23.6/11.8 &amp; 21.6/10.8 A</b>	Power Factor	<b>87.5</b>
Duty	<b>Continuous</b>	Insulation Class	<b>F</b>
Design Code	<b>B</b>	KVA Code	<b>H</b>
Drive End Bearing Size	<b>6308</b>	Opp Drive End Bearing Size	<b>6208</b>
UL	<b>Recognized</b>	CSA	<b>Y</b>
CE	<b>N</b>	IP Code	<b>22</b>
Number of Speeds	<b>1</b>		

### Technical Specifications

Electrical Type	<b>Squirrel Cage Inverter Rated</b>	Starting Method	<b>Line Or Inverter</b>
Poles	<b>2</b>	Rotation	<b>Reversible</b>
Resistance Main	<b>.267 Ohms</b>	Mounting	<b>Rigid Base</b>
Motor Orientation	<b>Horizontal</b>	Drive End Bearing	<b>Ball</b>
Opp Drive End Bearing	<b>Ball</b>	Frame Material	<b>Cast Iron</b>
Shaft Type	<b>T</b>	Overall Length	<b>16.38 in</b>
Shaft Diameter	<b>1.375 in</b>	Shaft Extension	<b>3.38 in</b>
Assembly/Box Mounting	<b>F1/F2 CAPABLE</b>		
Connection Drawing	<b>005010.01</b>	Outline Drawing	<b>16954960</b>



				TOLERANCES UNLESS SPECIFIED		 <b>REGAL</b> REGAL-BELOIT CORPORATION		DRAWN DRZ 03/21/01	
				DEC.	INCHES			CHK	
				.X	±.1	APPD		SCALE 1=1	
				.XX	±.03	TITLE		REF 169515	
				.XXX	±.005	ODP, RIGID MOUNT, NEW CON-BOX		FMF	
				.XXXX	±.0005	MAT'L.		PREV	
A		REVISED TO NEW BORDER FORMAT	DWF	12/14/01	CHK	ANG	±1/2	FINISH	
NO.		REVISION	BY & DATE		CHK	ANG	±1/2	FINISH	
THIS DRAWING IN DESIGN AND DETAIL IS OUR PROPERTY AND MUST NOT BE USED EXCEPT IN CONNECTION WITH OUR WORK ALL RIGHTS OF DESIGN AND INVENTION ARE RESERVED THIS IS AN ELECTRONICALLY GENERATED DOCUMENT - DO NOT SCALE THIS PRINT					RFP	CAD FILE 16954960		SIZE	DRAWING NO.
					DIST			B	169549-60
									REV. A

005010-01

VIEW FROM OUTSIDE OF MOTOR AT SWITCH END.



VOLTAGE	L1	L2	L3	JOIN & INSULATE
HIGH	T1	T2	T3	(T4,T7) (T5,T8) (T6,T9)
LOW	T1,T7	T2,T8	T3,T9	T4,T5,T6

				TOLERANCES UNLESS SPECIFIED		<b>REGAL</b> ™ Regal Beloit America, Inc.		DRAWN RDW 04/12/02		
				DEC.	INCHES			CHK		
				.X	±.1			APPD		
				.XX	±.01			SCALE 1=1		
				.XXX	±.005	TITLE		REF FIG.2-51		
A	UPDATED TO REGAL LOGO	SAJ 06/26/15	AJY	.XXXX	±.0005	MAT'L.		FMF		
NO.	REVISION	BY & DATE	CHK	ANG	±1/2"	FINISH		PREV		
THIS DRAWING IN DESIGN AND DETAIL IS OUR PROPERTY AND MUST NOT BE USED EXCEPT IN CONNECTION WITH OUR WORK ALL RIGHTS OF DESIGN AND INVENTION ARE RESERVED THIS IS AN ELECTRONICALLY GENERATED DOCUMENT - DO NOT SCALE THIS PRINT				RFP	04/12/02	CAD FILE		SIZE	DRAWING NO.	REV.
				DIST	BRF-NLV	00501001		A	005010-01	A



1051 CHEYENNE AVE.  
GRAFTON, WI 53024  
PH. 262-377-8810

CERTIFICATION DATA SHEET

CATALOG #: 170143.60

CONN. DIAGRAM: 005010.01

OUTLINE: 16954960

MOUNTING: F1/F2 CAPABLE

WINDING #: T10702006 DR 3 A

TYPICAL MOTOR PERFORMANCE DATA

HP	kW	SYNC. RPM	F.L. RPM	FRAME	ENCLOSURE	KVA CODE	DESIGN
10&7 1/2	7.50&5.60	3600	3525&2930	213T	DP	H	B

PH	Hz	VOLTS	AMPS	START TYPE	DUTY	INSL	S.F.	AMB°C
3	60/50	208-230/460&190/380	25-23.6/11.8&21.6/10.8	LINE OR INVERTER	CONTINUOUS	F5	1.15/1.15	40

FULL LOAD EFF:	90.2&90.2	3/4 LOAD EFF:	90	1/2 LOAD EFF:	88.7	GTD. EFF		ELEC. TYPE	
FULL LOAD PF:	87.5&88.5	3/4 LOAD PF:	84.3	1/2 LOAD PF:	76.6	-		SQ CAGE INV RATED	

F.L. TORQUE	LOCKED ROTOR AMPS	L.R. TORQUE	B.D. TORQUE	F.L. RISE°C
15 LB-FT	162 / 81	29.8 LB-FT 200 %	49.2 LB-FT 330 %	50

SOUND PRESSURE @ 3 FT.	SOUND POWER	ROTOR WK^2	MAX. WK^2	SAFE STALL TIME	STARTS / HOUR	APPROX. MOTOR WGT
53 dBA	63 dBA	0.344 LB-FT^2	0.3 LB-FT^2	- SEC.	-	- LBS.

\*\*\* SUPPLEMENTAL INFORMATION \*\*\*

DE BRACKET TYPE	ODE BRACKET TYPE	MOUNT TYPE	ORIENTATION	SEVERE DUTY	HAZARDOUS LOCATION	DRIP COVER	SCREENS	PAINT
STANDARD	STANDARD	RIGID	HORIZONTAL	FALSE	NONE	FALSE	NONE	BLUE (ENAMEL)

BEARINGS		GREASE	SHAFT TYPE	SPECIAL DE	SPECIAL ODE	SHAFT MATERIAL	FRAME MATERIAL
DE	ODE						
BALL	BALL	POLYREX EM	T	NONE	NONE	AISI 1045 (C-240)	CAST IRON
6308	6208						

THERMO-PROTECTORS				THERMISTORS	CONTROL	SPACE HEATERS
THERMOSTATS	PROTECTORS	WDG RTDs	BRG RTDs			
TSTATS (N/C)	NOT	NONE	NONE	NONE	FALSE	NONE VOLTS

\*  
N  
O  
T  
E  
S

<b>INVERTER TORQUE:</b> CONSTANT 2:1
<b>INV. HP SPEED RANGE:</b> NONE
<b>ENCODER:</b> NONE
NONE NONE
NONE NONE PPR
<b>BRAKE:</b> NONE NONE
NONE P/N NONE
NONE NONE
NONE FT-LB NONE V NO BRAKE Hz

Data Sheet

Date: 1/17/2018

170143.60



Data @ 460 V

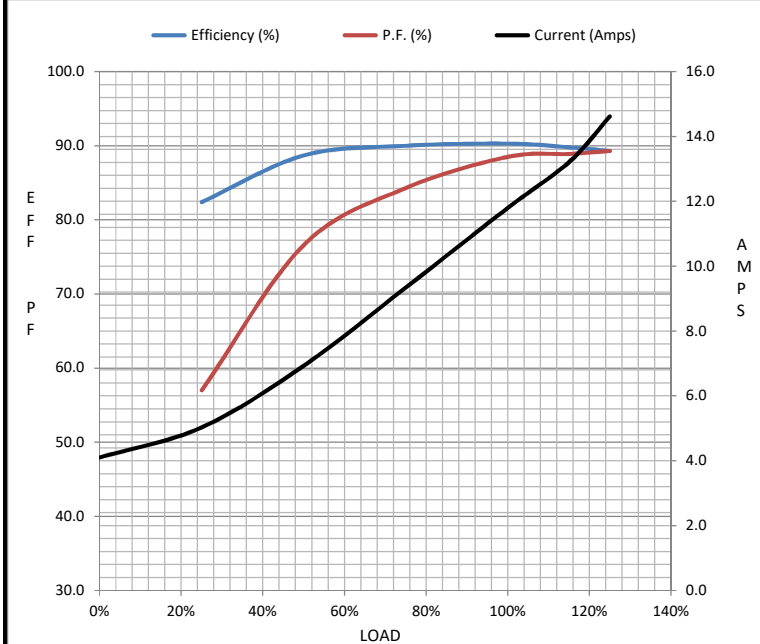
Motor Load Data

Load	0%	25%	50%	75%	100%	115%	125%	LR
Current (Amps)	4.1	5.0	6.9	9.3	11.8	13.2	14.6	81.0
Torque (ft-lb)	0.00	3.7	7.4	11.2	15.0	16.8	18.7	29.8
RPM	3600	3582	3565	3545	3525	3,517	3505	0
Efficiency (%)		82.4	88.7	90.0	90.3	89.8	89.3	
P.F. (%)	9.2	57.0	76.6	84.3	88.5	88.9	89.3	0.0

Motor Speed Data

	LR	Pull-Up	BD	Rated	Idle
Speed (RPM)	0	1800	3312	3525	3600
Current (Amps)	81.0	74.5	48.6	11.8	4.1
Torque (ft-lb)	29.8	27.8	49.2	15.0	0.00

Information Block				
HP	10.0			
Sync. RPM	3600			
Frame	213			
Enclosure	DP			
Construction	TDC			
Voltage	208-230/460#190/380 V			
Frequency	60 Hz			
Design	B			
LR Code letter	H			
Service Factor	1.15			
Temp Rise @ FL	45 °C			
Duty	CONT			
Ambient	40 °C			
Elevation	1,000 feet			
Rotor/Shaft wk <sup>2</sup>	0.34 Lb-Ft <sup>2</sup>			
Ref Wdg	T10702006 DR			
Sound Pressure @ 1M	53 dBA			
VFD Rating	CONSTANT 2:1			
Outline Dwg	16954960			
Conn. Diag	005010.01			
Additional Specifications:				
0				
0				
EQUIV CKT (OHMS / PHASE)				
R1	R2	X1	X2	Xm
0.0000	0.0000	0.0000	0.0000	0.0000



Speed - Torque Curve

