

# PRODUCT INFORMATION PACKET



Model No: 121937.00  
Catalog No: 121937.00  
Special Voltage Motor, 1 HP, 3 Ph, 60 Hz, 575 V, 1800 RPM, 143T Frame, TEFC



Regal and Leeson are trademarks of Regal Rexnord Corporation or one of its affiliated companies.  
©2022 Regal Rexnord Corporation, All Rights Reserved. MC017097E





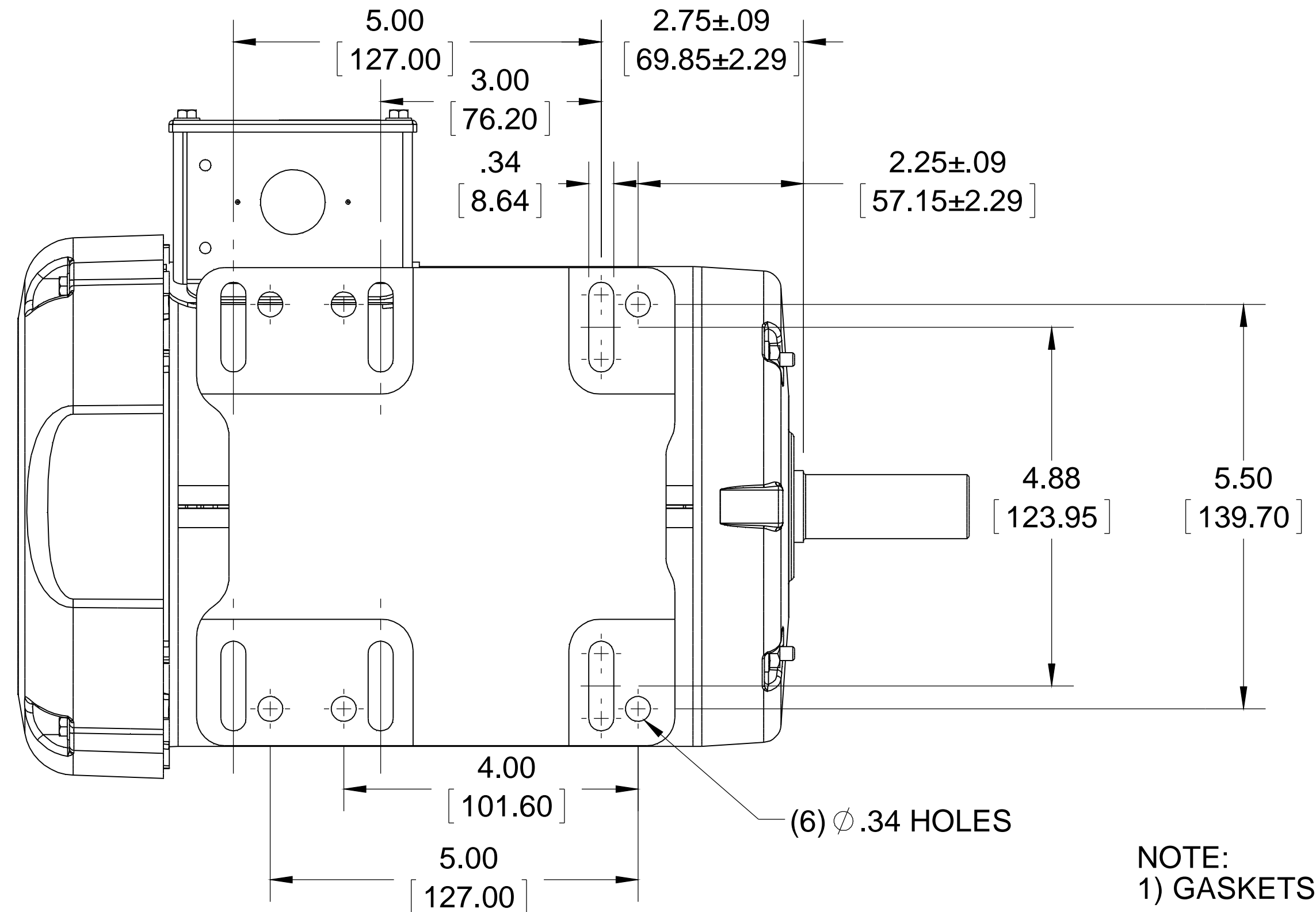
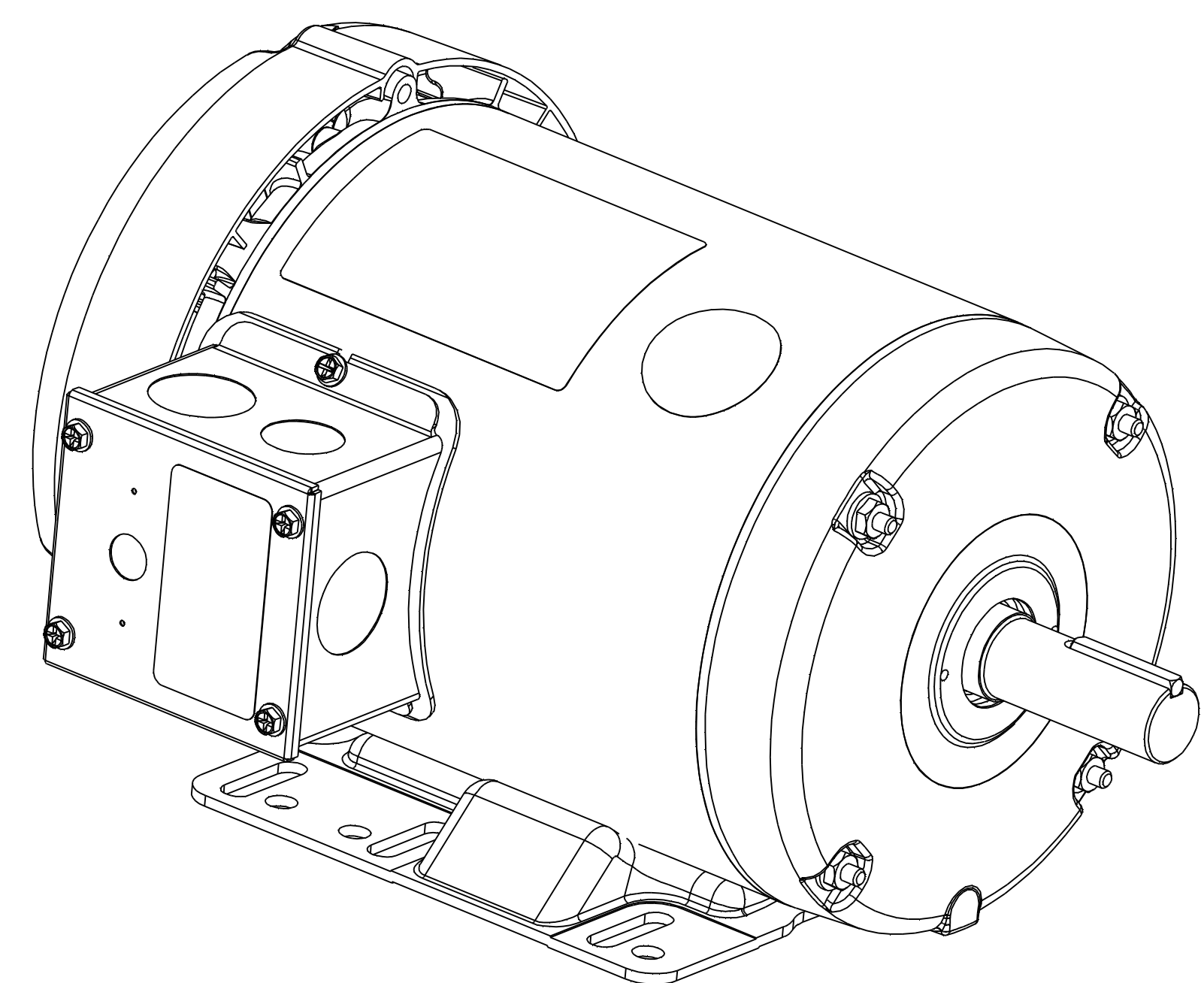
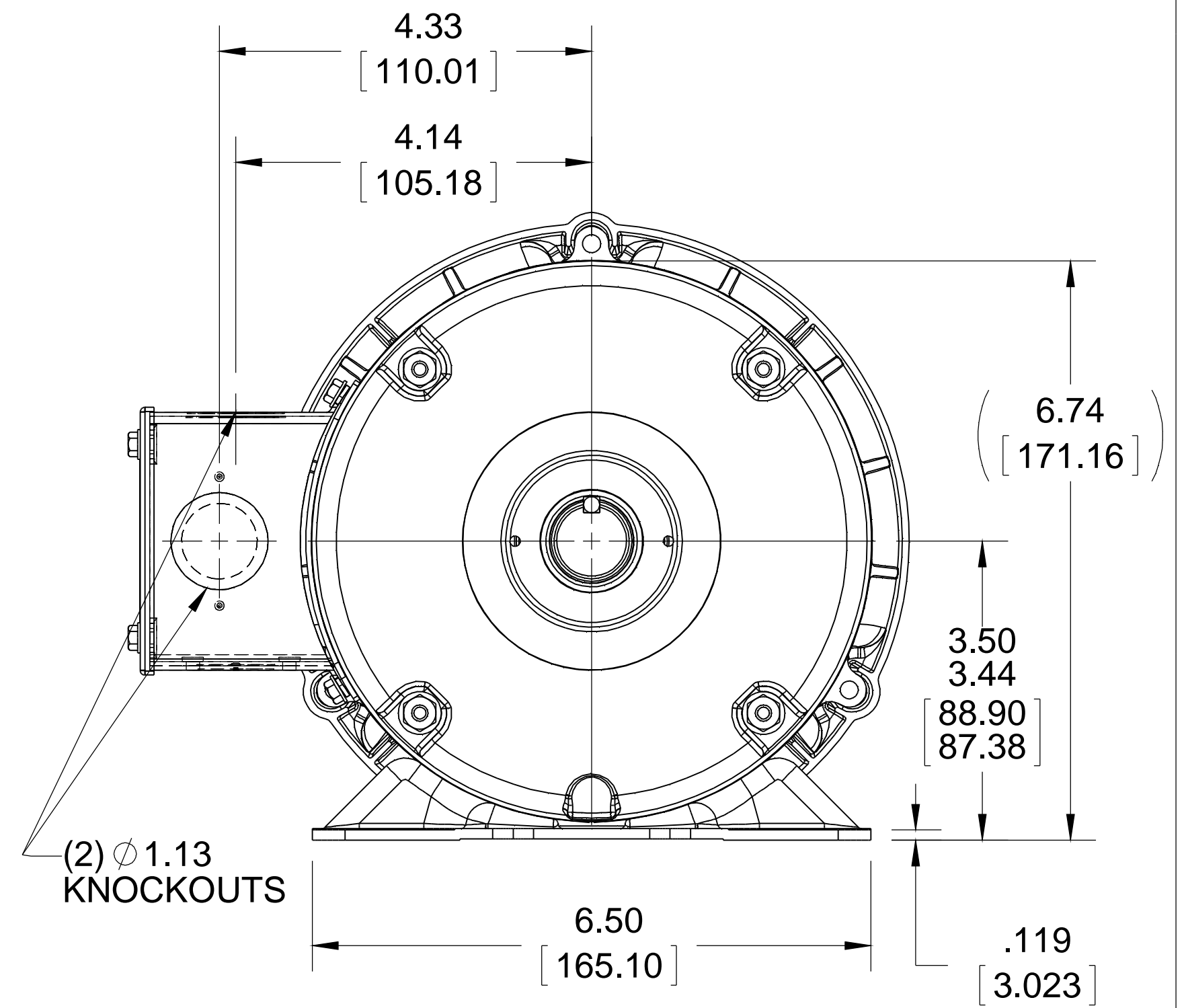
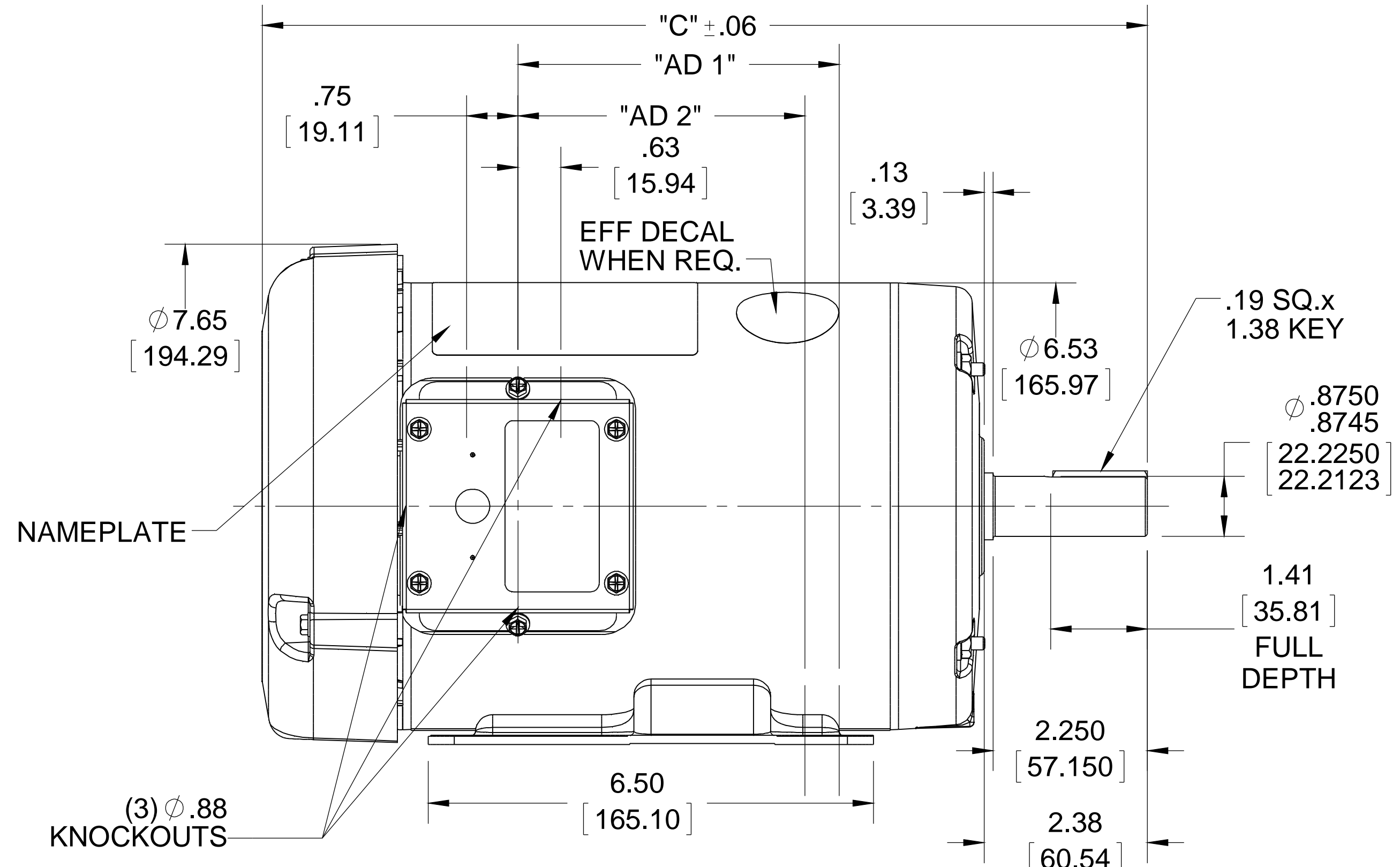
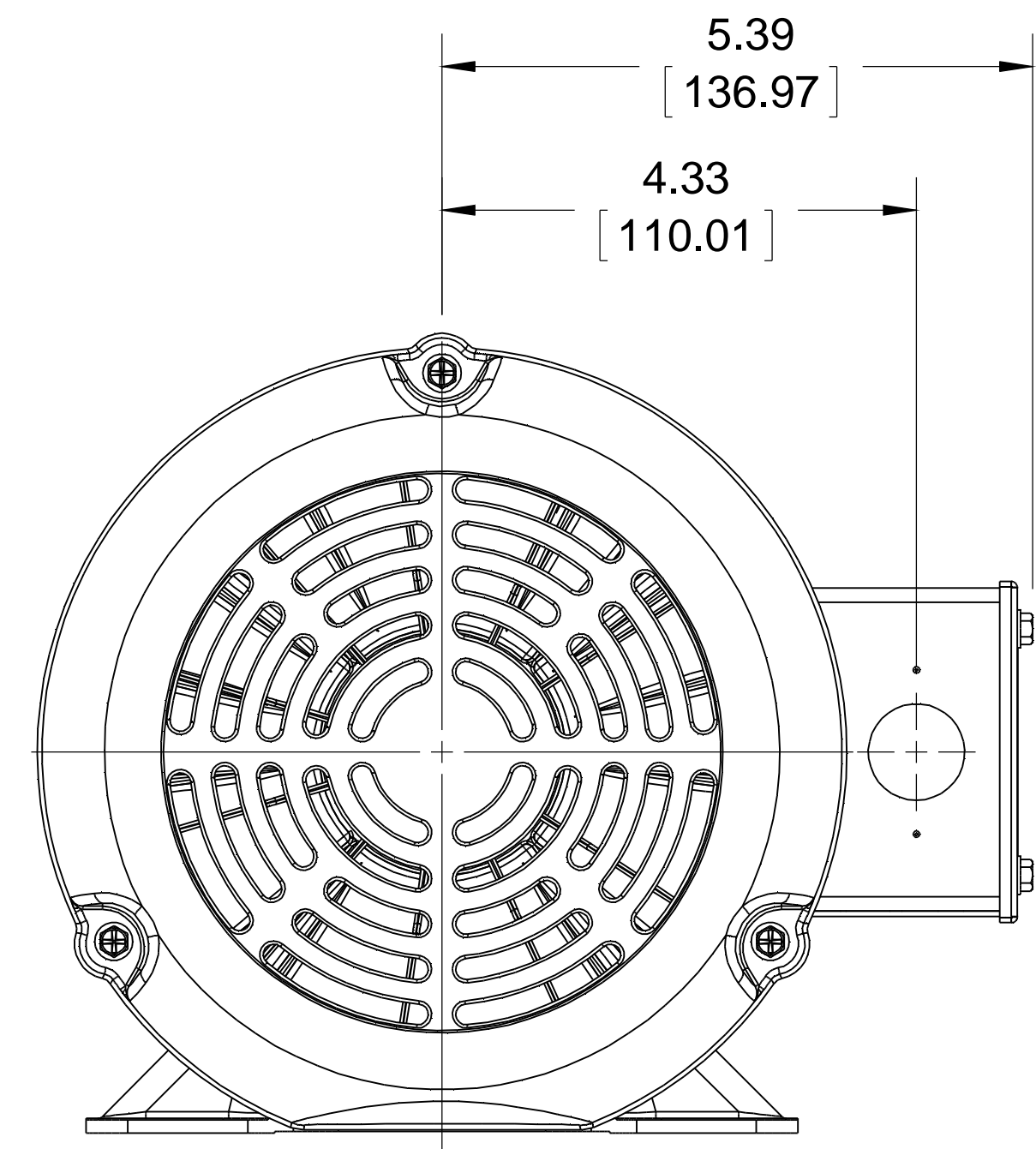
### Nameplate Specifications

Output HP	1 Hp	Output KW	0.75 kW
Frequency	60 Hz	Voltage	575 V
Current	1.3 A	Speed	1760 rpm
Service Factor	1.15	Phase	3
Efficiency	85.5 %	Power Factor	68.5
Duty	Continuous	Insulation Class	F
Design Code	B	KVA Code	N
Frame	143T	Enclosure	Totally Enclosed Fan Cooled
Thermal Protection	No Protection	Ambient Temperature	40 °C
Drive End Bearing Size	6205	Opp Drive End Bearing Size	6203
UL	Recognized	CSA	Y
CE	Y	IP Code	43
Number of Speeds	1		

### Technical Specifications

Electrical Type	Squirrel Cage Induction Run	Starting Method	Across The Line
Poles	4	Rotation	Reversible
Resistance Main	20.5 Ohms	Mounting	Rigid Base
Motor Orientation	Horizontal	Drive End Bearing	Ball
Opp Drive End Bearing	Ball	Frame Material	Rolled Steel
Shaft Type	T	Overall Length	12.93 in
Frame Length	7.00 in	Shaft Diameter	0.875 in
Shaft Extension	2.25 in	Assembly/Box Mounting	F1 ONLY
Outline Drawing	028765-700	Connection Drawing	005102.01

This is an uncontrolled document once printed or downloaded and is subject to change without notice. Date Created:11/28/2022



NOTE:  
1) GASKETS THROUGHOUT

DASH NO.	"C"	"AD 1"	"AD 2"
600	11.93	3.69	3.19
650	12.43	4.19	3.69
675	12.68	4.44	3.94
700	12.93	4.69	4.19
725	13.18	4.94	4.44
750	13.43	5.19	4.69
800	13.93	5.69	5.19
850	14.43	6.19	5.69

DRAWING REVISION <b>H</b>	REVISION BY <b>LST</b>	DATE <b>4/10/15</b>
ECO <b>ECO-0075607</b>	APPROVED BY <b>SK</b>	DATE <b>8/17/2014</b>
ECO DESCRIPTION <b>UPDATE DASH TABLE</b>		
<small>COPYRIGHT REGAL BELOIT AMERICA, INC. ALL RIGHTS RESERVED. PROPRIETARY AND CONFIDENTIAL INFORMATION - THIS DOCUMENT IS THE PROPERTY OF REGAL BELOIT AMERICA, INC. ("OWNER") AND CONTAINS OWNER'S PROPRIETARY INFORMATION. ANY PERSON, CORPORATION OR OTHER FIRM RECEIVING IT IS DEEMED, BY RECEIVING IT, TO AGREE THAT IT, AND/OR ANY PART OF IT, SHALL NOT BE DISCLOSED TO ANY PERSON, CORPORATION OR OTHER ENTITY, DUPLICATED, AND/OR USED, EXCEPT AS EXPRESSLY APPROVED IN WRITING IN ADVANCE BY OWNER. THIS DOCUMENT SHALL BE RETURNED TO OWNER UPON REQUEST. IT MAY BE SUBJECT TO CERTAIN RESTRICTIONS UNDER APPLICABLE EXPORT CONTROL LAWS AND REGULATIONS.</small>		

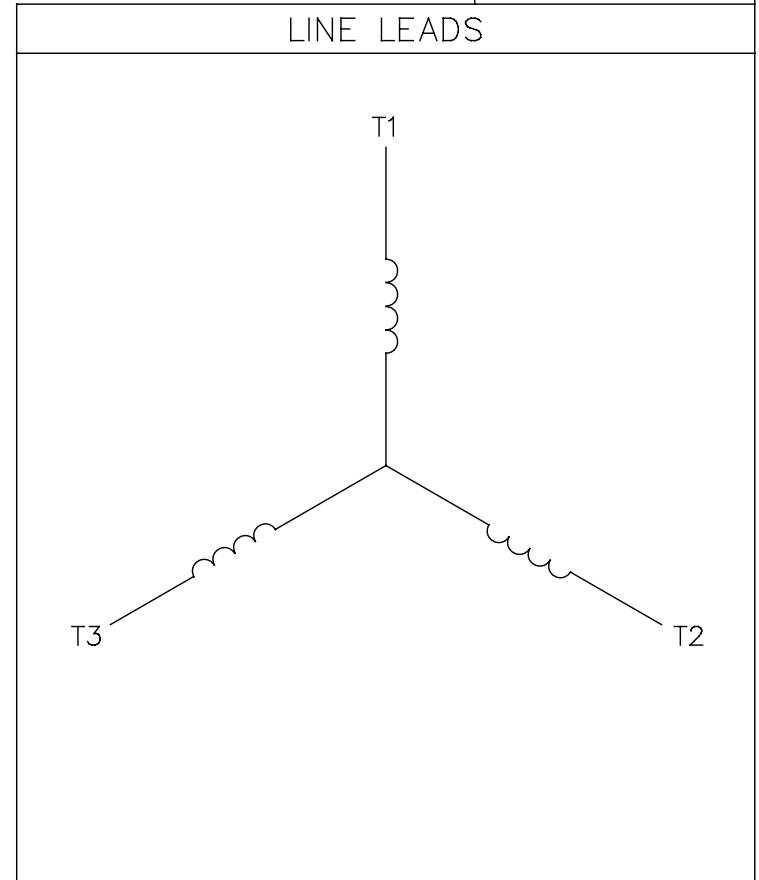
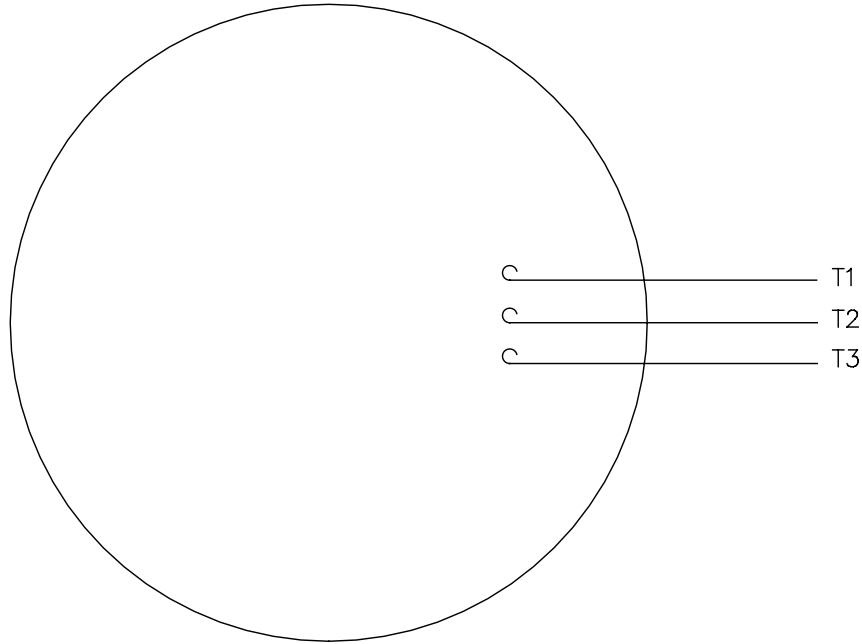
TOLERANCES UNLESS OTHERWISE SPECIFIED:			
DEC.	INCH	mm	ANGLE
.X	±0.1	[±2.5]	±0.5°
.XX	±0.03	[±0.76]	
.XXX	±0.005	[±0.127]	
.XXXX	±0.0005	[±0.0127]	
REMOVE BURRS & BREAK SHARP EDGES: .003/.015 [0.076/.381]			
CORNER FILLETS: .02 [.51]			
MACHINED SURFACES: 125 3.2 INCH mm			
mm SHOWN IN [BRACKETS]			

DRAWN BY <b>JJK</b>
DATE <b>06/13/07</b>
APPROVED BY
DATE
REFERENCE <b>034941</b>
THIRD ANGLE PROJECTION

<b>REGAL</b> ™ Regal Beloit America, Inc.	
DESCRIPTION <b>OUTLINE</b> 140T/56HZ FRAME TEFC - RIGID	
MATERIAL	PROCESS/FINISH GENERAL PURPOSE
SIZE <b>B</b>	DRAWING NUMBER <b>028765</b>
	SHEET <b>1 OF 1</b>

005102-01

VIEW FROM OUTSIDE OF MOTOR AT SWITCH END.



CONNECT LEADS AS FOLLOWS  
FOR FOUR CONDUCTOR CORD ( )

CORD	L1 (RED)	L2 (WHITE)	L3 (BLACK)	(GREEN)
MOTOR	T1	T2	T3	GROUND

				TOLERANCES UNLESS SPECIFIED		<b>REGAL™</b> Regal Beloit America, Inc.		DRAWN JRW 9/11/75		
				DEC.	INCHES			CHK		
				.X	±.1			APPD JCW 9/11/75		
08	UPDATED TO REGAL LOGO	SAJ 06/26/15	AJY	.XX	±.01	TITLE EXTERNAL WIRING DIAGRAM TYPE "T" W/O PROTECTOR		SCALE 1=1		
07	UPDATED TO CURRENT STANDARDS	DBT 5/30/97		.XXX	±.005			REF W-T6343-6		
06	REDRAWN ON CAD; ADDED DECAL NUMBER	SAW 1/24/95		.XXXX	±.0005			FMF 6T17FB7		
NO.	REVISION	BY & DATE	CHK	ANG	±1/2"	FINISH		PREV		
THIS DRAWING IN DESIGN AND DETAIL IS OUR PROPERTY AND MUST NOT BE USED EXCEPT IN CONNECTION WITH OUR WORK ALL RIGHTS OF DESIGN AND INVENTION ARE RESERVED THIS IS AN ELECTRONICALLY GENERATED DOCUMENT - DO NOT SCALE THIS PRINT				RFP	5/1/02	CAD FILE 00510201		SIZE	DRAWING NO.	REV.
				DIST BRF-NLV				A	005102-01	08

P.O. BOX 8003  
 WAUSAU, WI 54401-8003  
 PH. 715-675-3311



DATA VOLTS: 460

**CERTIFICATION DATA SHEET**

CONN. DIAGRAM: 005102.01  
 OUTLINE: 028765-700  
 WINDING: T634342

CAT #: 121937.00

FR 4

**TYPICAL MOTOR PERFORMANCE DATA**

HP	KW	SYNC RPM	FL RPM	FRAME	ENCLOSURE	TYPE	KVA CODE	DESIGN
1	0.75	1800	1760	143T	TEFC	TFR	N	B

PH	HZ	VOLTS	AMPS	START TYPE	DUTY	INSL	S.F.	AMB	ELEV.
3	60	575	1.25	ACROSS THE LINE	CONT	F	1.15	40	3300

F.L. EFF	85.5	3/4 LD EFF	85.4	1/2 LD EFF	79.6	GTD EFF	ELECT. TYPE
F.L. PF	68.5	3/4 LD PF	61.5	1/2 LD PF	51.5	0.0	SQ CAGE IND RUN

F.L. TORQUE	LR AMPS @ 460 V	L.R. TORQUE	B.D. TORQUE	F.L. RISE (°C)
3.0 LB-FT	11.2	12.0 LB-FT 400%	15.8 LB-FT 527%	38

PRESSURE @ 3	POWER	ROTOR WK²	MAX. LOAD WK²	SAFE STALL TIME	STARTS/HOUR	MOTOR WGT
65 dBA	74 dBA	0.12 LB-FT²	0 LB-FT²	10 SEC.	0	0 LB.

**\*\*\* SUPPLEMENTAL INFORMATION \*\*\***

DE BRACKET TYPE	ODE BRACKET TYPE	MOUNT TYPE	MOTOR ORIENTATION	SEVERE DUTY	HAZARDOUS LOCATION	DRIP COVER	SCREENS	PAINT
STANDARD	STANDARD	RIGID	HORIZONTAL	NO	NONE	NO	NONE	IN - LEESON WATTS

BEARINGS		GREASE	SHAFT TYPE	SPECIAL DE	SPECIAL ODE	SHAFT MATERIAL	FRAME MATERIAL
DE	ODE						
BALL	BALL	POLYREX EM	T	NONE	NONE	1144 STRESSPROOF (C-223)	ROLLED STEEL
6205	6203						

THERMOSTATS	PROTECTORS	WDG RTD's	BRG RTD's	THERMISTORS	CONTROL	SPACE HEATERS
NONE	NOT	NONE	NONE	NONE	FALSE	NA

R1 (ohms/ph)	R2 (ohms/ph)	X1 (ohms/ph)	X2 (ohms/ph)	Xm (ohms/ph)	VIBRATION (in/sec)	FLOAT
0	0	0	0	0	0.080	ODE

* N O T E S *	INVERTER TORQUE: NONE	
	INV. HP SPEED RANGE: NONE	
	ENCODER: NONE	
	NONE	
	NONE	

DATE: 2/15/2018	BRAKE: NONE	
	NONE	
	NONE	
	NONE	
FT-LB: NA		
VOLTAGE: NONE		
UL: Y-(LEESON UL REC)		
HZ:		

Data Sheet

Date: 2/15/2018

121937.00



Data @ 575 V

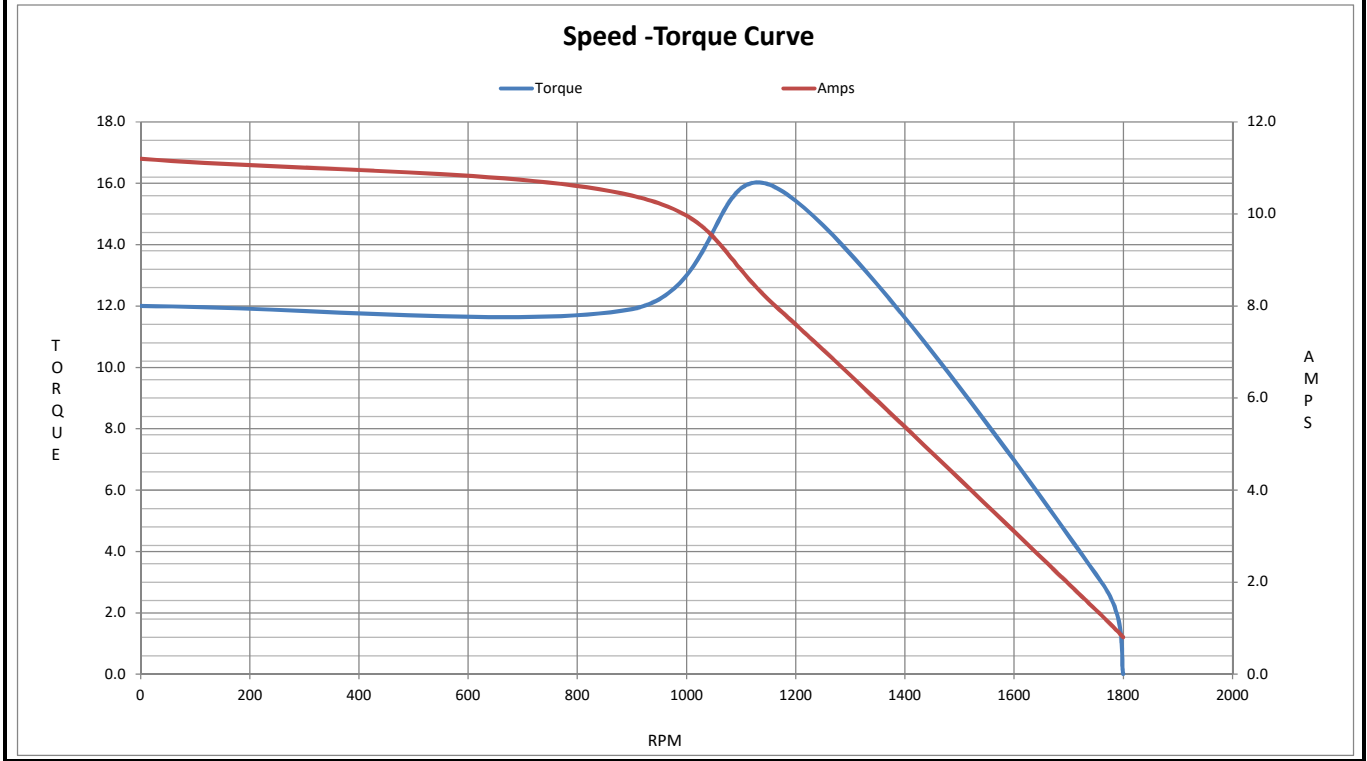
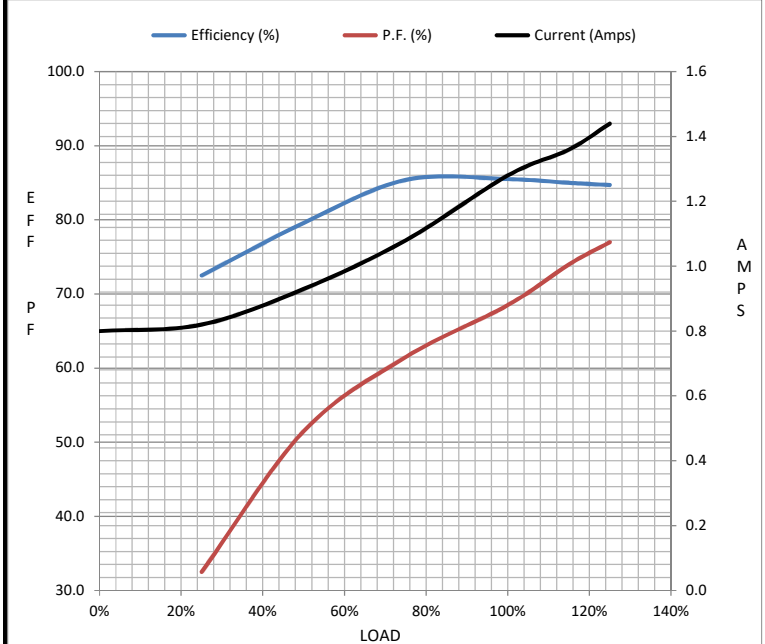
Motor Load Data

Load	0%	25%	50%	75%	100%	115%	125%	LR
Current (Amps)	0.80	0.82	0.93	1.08	1.28	1.36	1.44	11.2
Torque (ft-lb)	0.00	0.75	1.50	2.25	3.0	3.5	3.8	12.0
RPM	1800	1789	1779	1769	1760	1750	1745	0
Efficiency (%)		72.5	79.6	85.4	85.5	85.0	84.7	
P.F. (%)	8.0	32.5	51.5	61.5	68.5	74.0	77.0	41.0

Motor Speed Data

	LR	Pull-Up	BD	Rated	Idle
Speed (RPM)	0	900	1170	1760	1800
Current (Amps)	11.2	10.4	7.9	1.28	0.80
Torque (ft-lb)	12.0	11.9	15.8	3.0	0.00

Information Block				
HP	1.0			
Sync. RPM	1800			
Frame	140			
Enclosure	TEFC			
Construction	TFR			
Voltage	575 V			
Frequency	60 Hz			
Design	B			
LR Code letter	N			
Service Factor	1.15			
Temp Rise @ FL	38 °C			
Duty	CONT			
Ambient	40 °C			
Elevation	1,000 feet			
Rotor/Shaft wk <sup>2</sup>	0.12 Lb-Ft <sup>2</sup>			
Ref Wdg	T634342 FR			
Sound Pressure @ 1M	65 dBA			
VFD Rating	NONE			
Outline Dwg	028765-700			
Conn. Diag	005102.01			
Additional Specifications:				
0				
0				
EQUIV CKT (OHMS / PHASE)				
R1	R2	X1	X2	Xm
0.0000	0.0000	0.0000	0.0000	0.0000



## EC Declaration of Conformity

The undersigned representing  
the manufacturer:

Regal Beloit America  
100 East Randolph St.  
Wausau, WI 54401

and the authorized representative  
established within the Community:

Marathon Electric UK  
6F Thistleton Road Ind. Estate  
Market Overton  
Oakham, Rutland LE15 7PP UK

are committed to providing customers with products that comply with applicable regulations and international protocols to which they are subject, including the requirements of the European Parliament Directive on the Harmonization of the laws relating to electrical equipment designed for use within certain voltage limits (2014/35/EU).

Regal Beloit America declares that the following product(s), to which this declaration relates, are in conformity with the relevant sections of the EC standards listed below.

This statement supersedes any statements previously issued pertaining to the product(s) listed below and is subject to change without notice.

Model No : 121937.00

(Model No. may contain prefix and/or suffix characters)

Catalog No : 121937.00

Rework No : N/A

Directives :

Low Voltage Directive 2014/35/EU

Harmonized Standards Used :

EN 60034-1: 2010 (IEC 60034-1: 2010)

EN 60034-5: 2001/A1:2007 (IEC 60034-5: 2000/A1:2006)

Authorized Representative:



Michael A. Logsdon  
Vice President, Technology

Authorized Representative in the Community:



Julian Clark  
Marketing Engineer

Created on 09/01/2022

**CE 22**