

# PRODUCT INFORMATION PACKET



Model No: 120946.00  
Catalog No: 120946.00  
Definite Purpose Motor, 2 & 0.50 HP, 3 Ph, 60 & 60 Hz, 208-230 & 208-230 V, 1800 & 1800 RPM,  
145T Frame, TEFC



Regal and Leeson are trademarks of Regal Rexnord Corporation or one of its affiliated companies.  
©2023 Regal Rexnord Corporation, All Rights Reserved. MC017097E



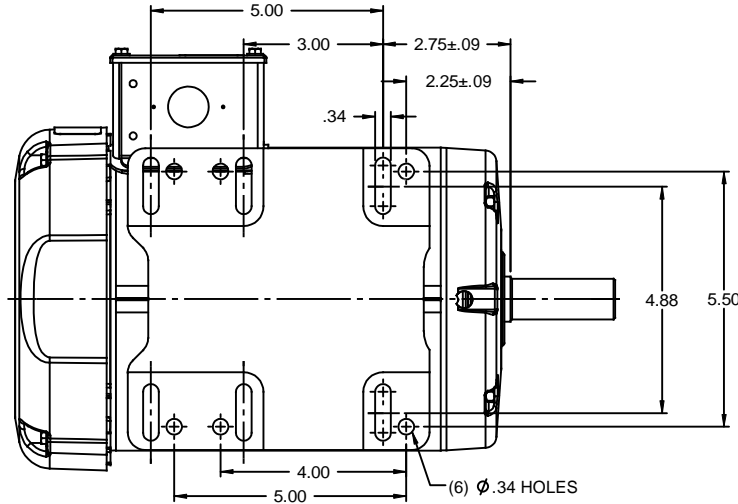
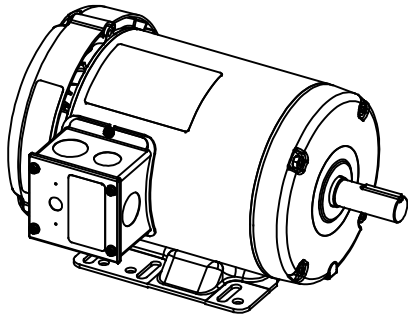
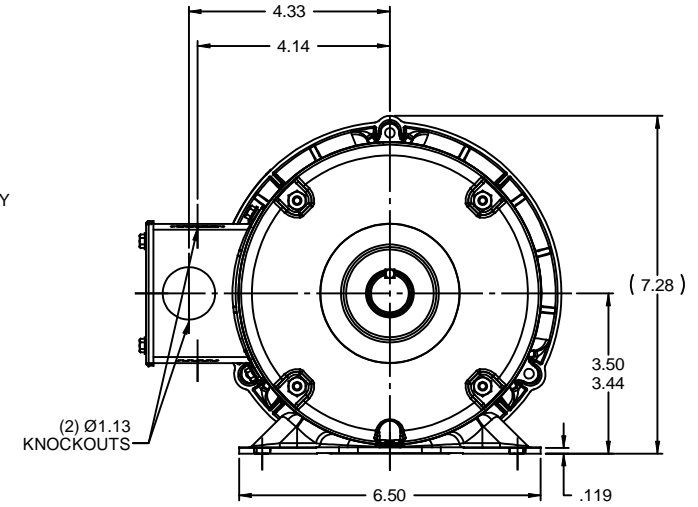
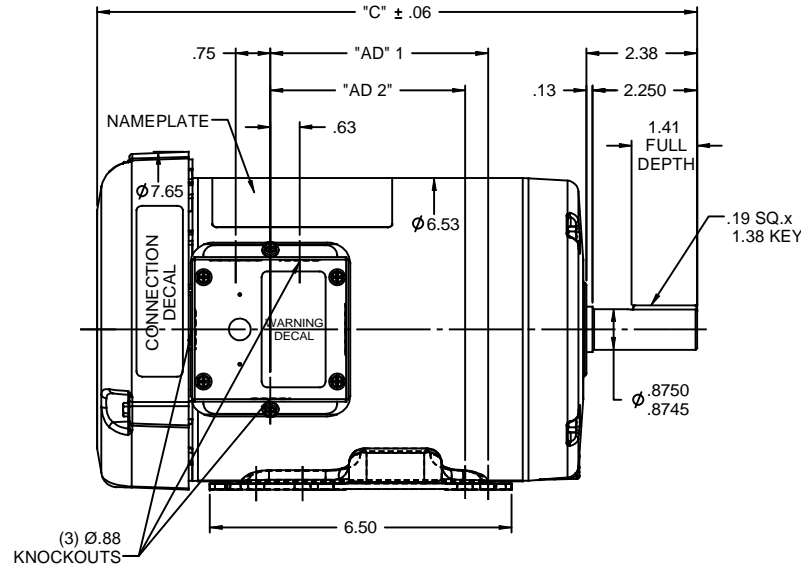
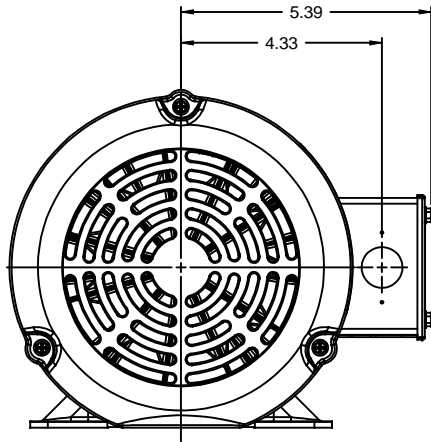


### Nameplate Specifications

Phase	<b>3</b>	Output HP	<b>2 &amp; 0.50 Hp</b>
Output KW	<b>1.5 &amp; 0.37 kW</b>	Voltage	<b>208-230 &amp; 208-230 V</b>
Speed	<b>1725 &amp; 850 rpm</b>	Service Factor	<b>1.0 &amp; 1.0</b>
Frame	<b>145T</b>	Enclosure	<b>Totally Enclosed Fan Cooled</b>
Thermal Protection	<b>No Protection</b>	Efficiency	<b>78.5 &amp; 66 %</b>
Ambient Temperature	<b>40 °C</b>	Frequency	<b>60 &amp; 60 Hz</b>
Current	<b>6.4 &amp; 2.6 A</b>	Power Factor	<b>70.6</b>
Duty	<b>Continuous</b>	Insulation Class	<b>B</b>
Design Code	<b>B</b>	KVA Code	<b>J</b>
Drive End Bearing Size	<b>6205</b>	Opp Drive End Bearing Size	<b>6203</b>
UL	<b>Recognized</b>	CSA	<b>Y</b>
CE	<b>N</b>	IP Code	<b>43</b>
Number of Speeds	<b>1</b>		

### Technical Specifications

Electrical Type	<b>Squirrel Cage Induction Run</b>	Starting Method	<b>Across The Line</b>
Poles	<b>4</b>	Rotation	<b>Reversible</b>
Resistance Main	<b>2.68 Ohms</b>	Mounting	<b>Rigid Base</b>
Motor Orientation	<b>Horizontal</b>	Drive End Bearing	<b>Ball</b>
Opp Drive End Bearing	<b>Ball</b>	Frame Material	<b>Rolled Steel</b>
Shaft Type	<b>T</b>	Overall Length	<b>12.43 in</b>
Frame Length	<b>6.50 in</b>	Shaft Diameter	<b>0.875 in</b>
Shaft Extension	<b>2.25 in</b>	Assembly/Box Mounting	<b>F1 ONLY</b>
Connection Drawing	<b>005200.01</b>	Outline Drawing	<b>028877-650</b>



NOTE:  
1) GASKETS THROUGHOUT

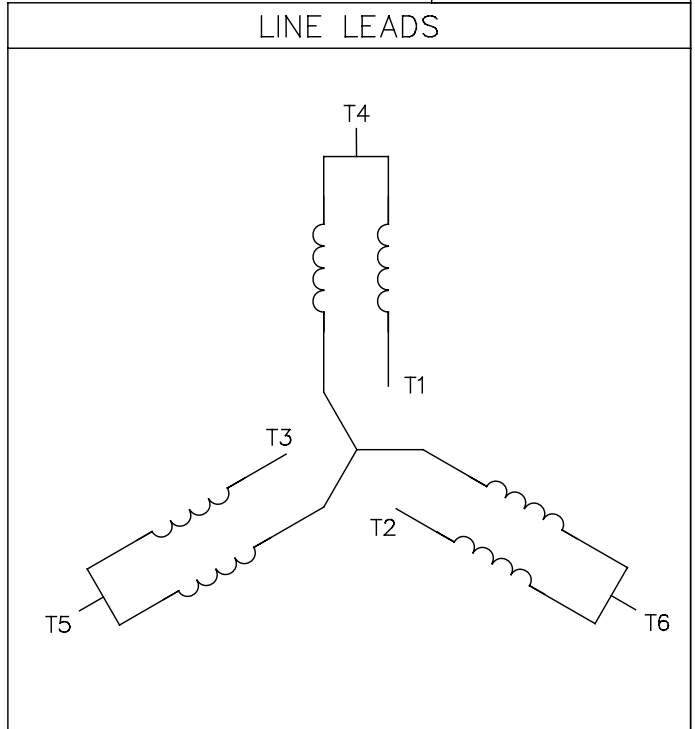
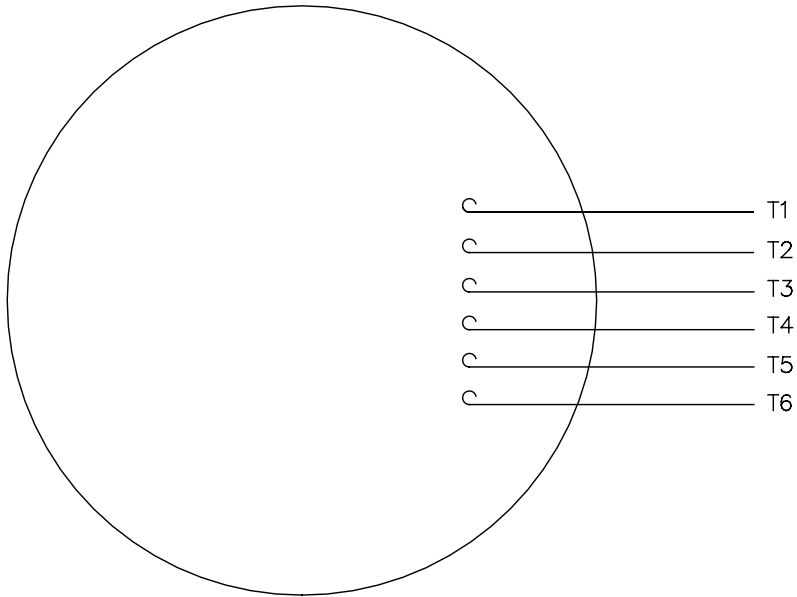
DASH NO.	"C"	"AD 1"	"AD 2"
600	11.93	3.69	3.19
650	12.43	4.19	3.69
675	12.68	4.44	3.94
700	12.93	4.69	4.19
750	13.43	5.19	4.69
800	13.93	5.69	5.19
850	14.43	6.19	5.69

RBC PROPRIETARY AND CONFIDENTIAL INFORMATION  
This document is the property of REGAL BELOIT CORPORATION ("RBC") including its subsidiaries and divisions and contains proprietary information of RBC. This document is loaned on the express condition that neither it nor the information contained therein shall be disclosed to others without the express written consent of RBC and that the information shall be used by the recipient only as approved expressly by RBC. This document shall be returned to RBC upon its request. This document may be subject to certain restrictions under U.S. export control laws and regulations.


		TOLERANCES UNLESS SPECIFIED		<b>LEESON</b> ELECTRIC MOTORS GEARMOTORS AND DRIVES	DRAWN KA 09/02/2008
		DEC INCHES			CHK RVD 09/02/2008
		X ±.1			APPR
		.XX ±.03		TITLE OUTLINE - 140T/56HZ FRAME	SCALE 3:8
		.XXX ±.005		TEFC - RIGID	REF 028765
		.XXX ±.005		MATL	FMF 120946
NO	REVISION	BY & DATE	CHK ANG ±1/2"	FINISH GENERAL PURPOSE	PAGE OF
	THIRD ANGLE PROJECTION		RFP	PREV	SIZE DRAWING NO
			NETWORK FILE NAME		<b>B</b> <b>028877</b>
					REV

005200-01

VIEW FROM OUTSIDE OF MOTOR AT SWITCH END.



SPEED	L1	L2	L3	JOIN	SEPARATE
HIGH	T6	T4	T5	(T1,T2,T3)	
LOW	T1	T2	T3		(T4)(T5)(T6)

				TOLERANCES UNLESS OTHERWISE SPECIFIED		 <b>Regal Beloit America, Inc.</b>				
				DECIMALS						
				.00	± .01	DRAWN PG 08/08/83	TITLE EXTERNAL WIRING DIAGRAM TYPE "T" W/O PROTECTOR			
04	SPEED WAS VOLTAGE	EPB	1/17/00	.000	± .005	CH'K'D. DLL 08/09/83				
03	REDRAWN TO CURRENT STANDARDS	DBT	05/30/97	.0000	± .0005	APPR. KG 08/09/83	MAT'L. DECAL - 004183/080066 2 SPEED 1 WDG. VARIABLE TORQUE MOTOR			
NO.	REVISION	BY	DATE	FRACTIONS	± 1/64	SCALE 1=1				
THIS DRAWING IN DESIGN AND DETAIL IS OUR PROPERTY AND MUST NOT BE USED EXCEPT IN CONNECTION WITH OUR WORK ALL RIGHTS OF DESIGN AND INVENTION ARE RESERVED				ANGLES		REF. 080066	FINISH		SIZE	DRAWING NO.
				INCH/MM				FMF 83648D1		



**1051 CHEYENNE AVE.  
GRAFTON, WI 53024  
PH. 262-377-8810**

**CERTIFICATION DATA SHEET**

**CATALOG #:** 120946.00

**CONN. DIAGRAM:** 005200.01

**OUTLINE:** 028877-650

**MOUNTING:** F1 ONLY

**WINDING #:** T63(4-8)33 FR 2 A

**TYPICAL MOTOR PERFORMANCE DATA**

HP	kW	SYNC. RPM	F.L. RPM	FRAME	ENCLOSURE	KVA CODE	DESIGN
2&1/2	1.49&0.37	900	1725&850	145T	TEFC	J	B

PH	Hz	VOLTS	AMPS	START TYPE	DUTY	INSL	S.F.	AMB°C
3	60/60	208-230&208-230	6.4&2.6	ACROSS THE LINE	CONTINUOUS	B4	1.0/1.0	40

FULL LOAD EFF:	64	3/4 LOAD EFF:	64.9	1/2 LOAD EFF:	58.6	GTD. EFF		ELEC. TYPE	
FULL LOAD PF:	33	3/4 LOAD PF:	42.3	1/2 LOAD PF:	33.3	0		SQ CAGE IND RUN	

F.L. TORQUE	LOCKED ROTOR AMPS	L.R. TORQUE	B.D. TORQUE	F.L. RISE°C
3.08 LB-FT	9.3	5.5 LB-FT 177 %	8.2 LB-FT 265 %	-

SOUND PRESSURE @ 3 FT.	SOUND POWER	ROTOR WK^2	MAX. WK^2	SAFE STALL TIME	STARTS / HOUR	APPROX. MOTOR WGT
- dBA	- dBA	0 LB-FT^2	- LB-FT^2	10 SEC.	-	0 LBS.

**\*\*\* SUPPLEMENTAL INFORMATION \*\*\***

DE BRACKET TYPE	ODE BRACKET TYPE	MOUNT TYPE	ORIENTATION	SEVERE DUTY	HAZARDOUS LOCATION	DRIP COVER	SCREENS	PAINT
STANDARD	STANDARD	RIGID	HORIZONTAL	FALSE	NONE	FALSE	NONE	BLUE - LEESON (ENAMEL)

BEARINGS		GREASE	SHAFT TYPE	SPECIAL DE	SPECIAL ODE	SHAFT MATERIAL	FRAME MATERIAL
DE	ODE						
BALL	BALL	POLYREX EM	T	NONE	NONE	1144 STRESSPROOF (C-223)	ROLLED STEEL
6205	6203						

THERMO-PROTECTORS				THERMISTORS	CONTROL	SPACE HEATERS
THERMOSTATS	PROTECTORS	WDG RTDs	BRG RTDs			
NONE	NOT	NONE	NONE	NONE	FALSE	NONE VOLTS

\*  
N  
O  
T  
E  
S  
\*

<b>INVERTER TORQUE:</b> NONE
<b>INV. HP SPEED RANGE:</b> NONE
<b>ENCODER:</b> NONE NONE NONE NONE NONE PPR
<b>BRAKE:</b> NONE NONE NONE P/N NONE NONE NONE FT-LB V NONE Hz



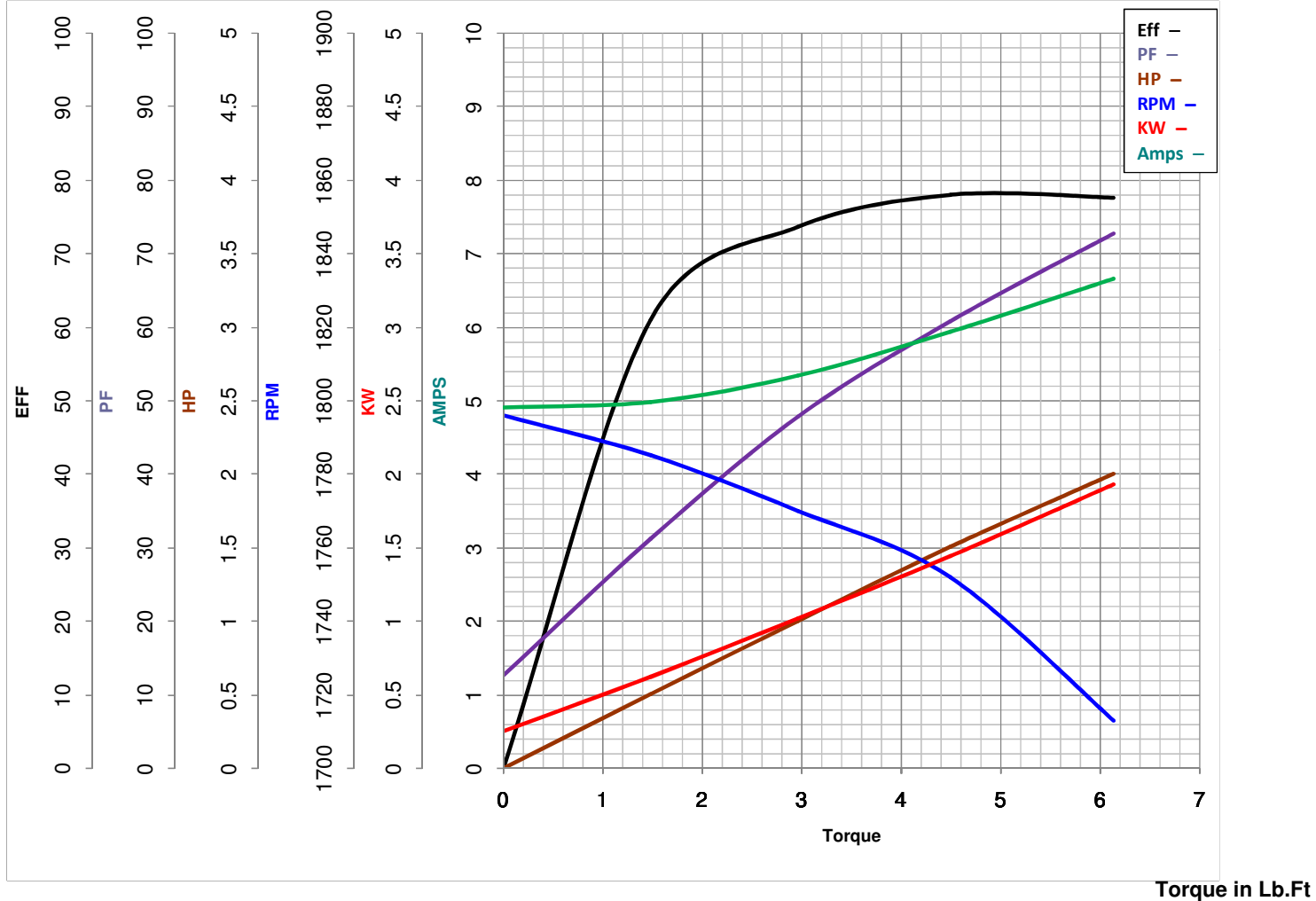
**LEESON ELECTRIC CORPORATION**  
TYPICAL PERFORMANCE CURVE for AC MOTOR

Model No 120946.00

Catalog No 120946.00

Curve at 460 Volts      HP 2&0.5      PHASE 3  
60 HZ  
2 HP      VOLTS 208-230&208-230

HZ 60&60      RPM 1725&850



FL TORQUE	<u>6.14</u>	Lb.Ft	FL AMPS	<u>6.4</u>	
BD TORQUE	<u>22.5</u>	Lb.Ft	PU TORQUE	<u>17.3</u>	Lb.Ft
LR TORQUE	<u>17.4</u>	Lb.Ft	LR AMPS	<u>43.5</u>	
WINDING	<u>T63(4-8)33-2</u>		Date	<u>6/4/2018</u>	