

PRODUCT INFORMATION PACKET



Model No: 110415.00

Catalog No: 110415.00

General Purpose Motor, 1 HP, 1 Ph, 60 Hz, 115/230 V, 3600 RPM, 56C Frame, TEFC

Operational at 115/208-230 V @60HZ



Regal and Leeson are trademarks of Regal Rexnord Corporation or one of its affiliated companies.

©2023 Regal Rexnord Corporation, All Rights Reserved. MC017097E



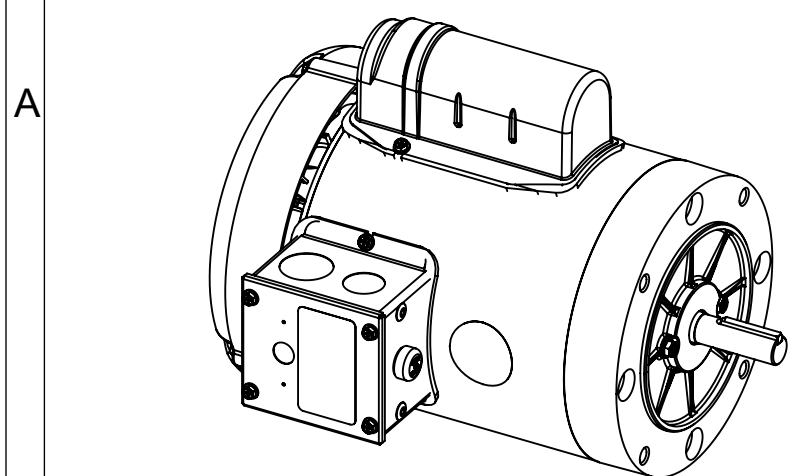
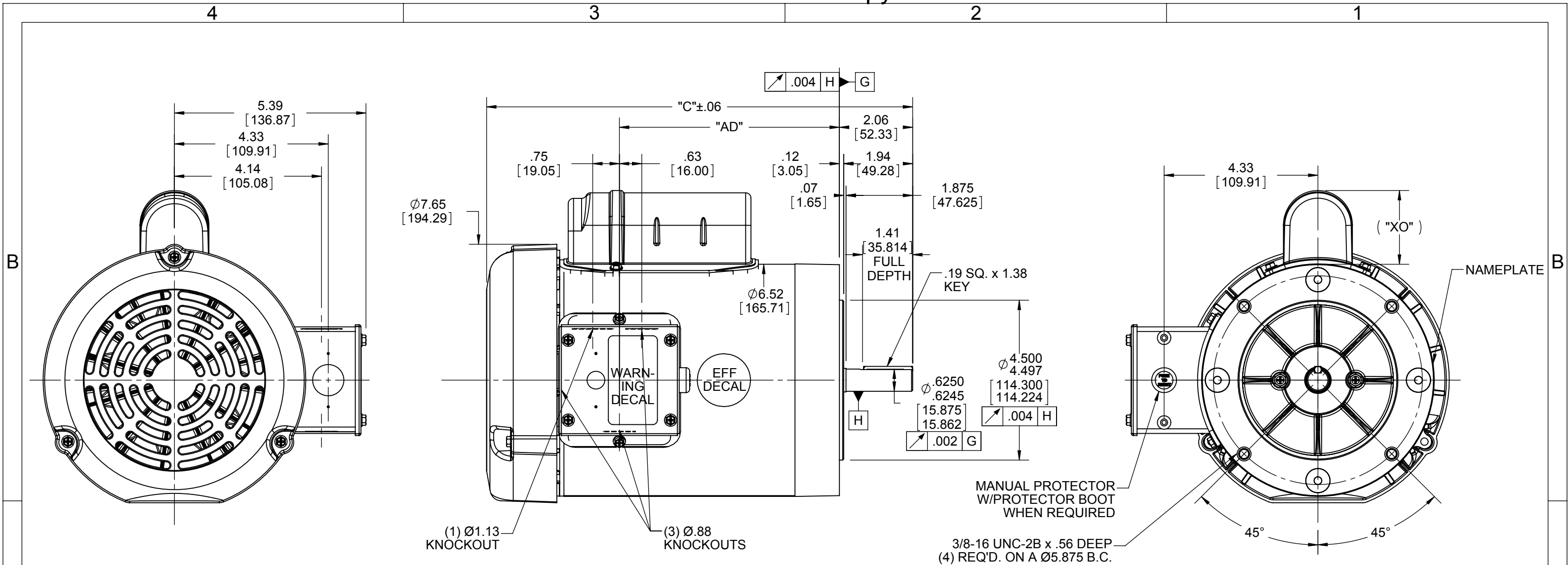


Nameplate Specifications

Phase	1	Output HP	1 Hp
Output KW	0.75 kW	Voltage	115/230 V
Speed	3450 rpm	Service Factor	1.15
Frame	56C	Enclosure	Totally Enclosed Fan Cooled
Thermal Protection	Manual	Efficiency	70 %
Ambient Temperature	40 °C	Frequency	60 Hz
Current	12.0/6.0 A	Power Factor	76
Duty	Continuous	Insulation Class	B
Design Code	N	KVA Code	J
Drive End Bearing Size	6203	Opp Drive End Bearing Size	6203
UL	Recognized	CSA	Y
CE	N	IP Code	54
Number of Speeds	1		

Technical Specifications

Electrical Type	Capacitor Start Induction Run	Starting Method	Across The Line
Poles	2	Rotation	Selective Counterclockwise
Resistance Main	1.92 Ohms	Mounting	Round
Motor Orientation	Horizontal	Drive End Bearing	Ball
Opp Drive End Bearing	Ball	Frame Material	Rolled Steel
Shaft Type	NEMA 56	Overall Length	11.99 in
Frame Length	6.50 in	Shaft Diameter	0.625 in
Shaft Extension	1.88 in	Assembly/Box Mounting	F1 ONLY
Connection Drawing	005003.03	Outline Drawing	028831-600B



DASH NO.	"C"	"AD"
600	11.49	5.69
650	11.99	6.19
700	12.49	6.69
750	12.99	7.19
800	13.49	7.69
850	13.99	8.19

CAP DASH	"XO"
A	2.32
B	2.08
C	1.61

NOTES:
1) GASKETS THROUGHOUT

DRAWING REVISION D	REVISION BY M. MCCALED	DATE 6/20/14
ECO ECO-0053535	APPROVED BY G. SCHALLOCK	DATE 6/20/14
ECO DESCRIPTION REV ADDED "WHEN REQUIRED" TO PROT. NOTE		
<small>COPYRIGHT REGAL BELOIT AMERICA, INC. ALL RIGHTS RESERVED. PROPRIETARY AND CONFIDENTIAL INFORMATION - THIS DOCUMENT IS THE PROPERTY OF REGAL BELOIT AMERICA, INC. ("OWNER") AND CONTAINS OWNER'S PROPRIETARY INFORMATION. ANY PERSON, CORPORATION OR OTHER FIRM RECEIVING IT IS DEEMED BY RECEIVING IT, TO AGREE THAT IT, AND/OR ANY PART OF IT, SHALL NOT BE DISCLOSED TO ANY PERSON, CORPORATION OR OTHER ENTITY, DUPLICATED, AND/OR USED, EXCEPT AS EXPRESSLY APPROVED IN WRITING IN ADVANCE BY OWNER. THIS DOCUMENT SHALL BE RETURNED TO OWNER UPON REQUEST. IT MAY BE SUBJECT TO CERTAIN RESTRICTIONS UNDER APPLICABLE EXPORT CONTROL LAWS AND REGULATIONS.</small>		

TOLERANCES UNLESS OTHERWISE SPECIFIED:

DEC.	INCH	mm	ANGLE
.X	±0.1	[±2.5]	±0.5°
.XX	±0.03	[±0.76]	
.XXX	±0.005	[±0.127]	
.XXXX	±0.0005	[±0.0127]	

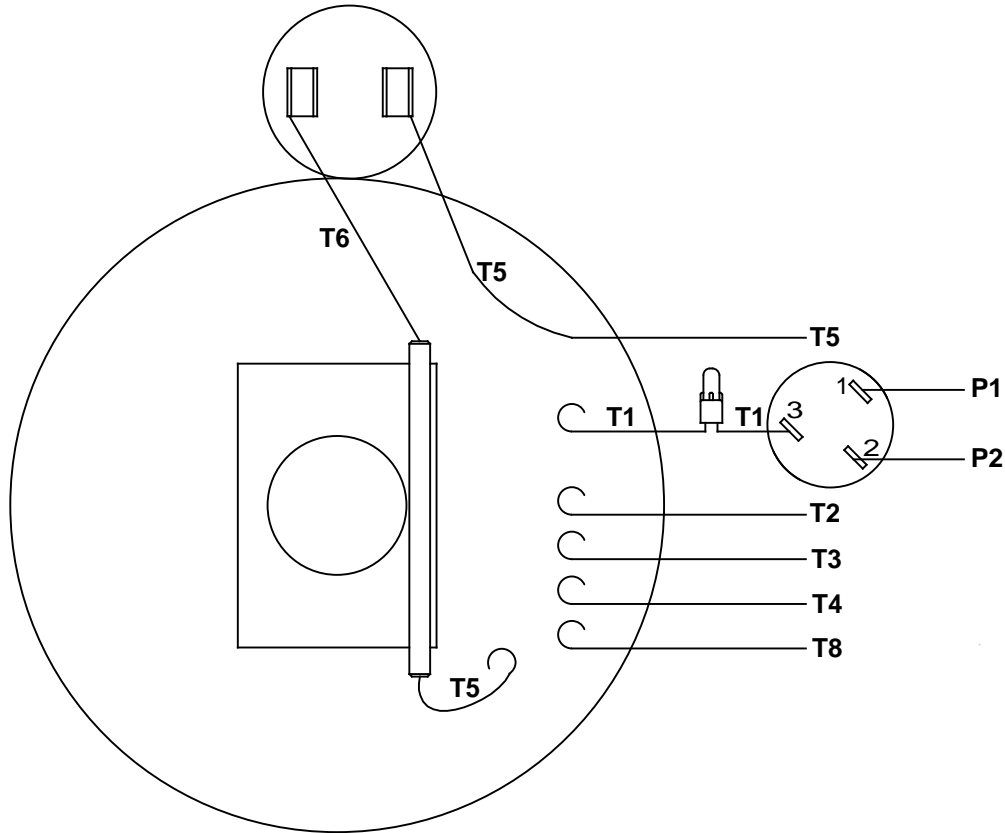
REMOVE BURRS & BREAK SHARP EDGES: .003/.015 [0.076/.381]
 CORNER FILLETS: .02 [0.51]
 MACHINED SURFACES: 125 INCH 3.2 mm

mm SHOWN IN [BRACKETS]

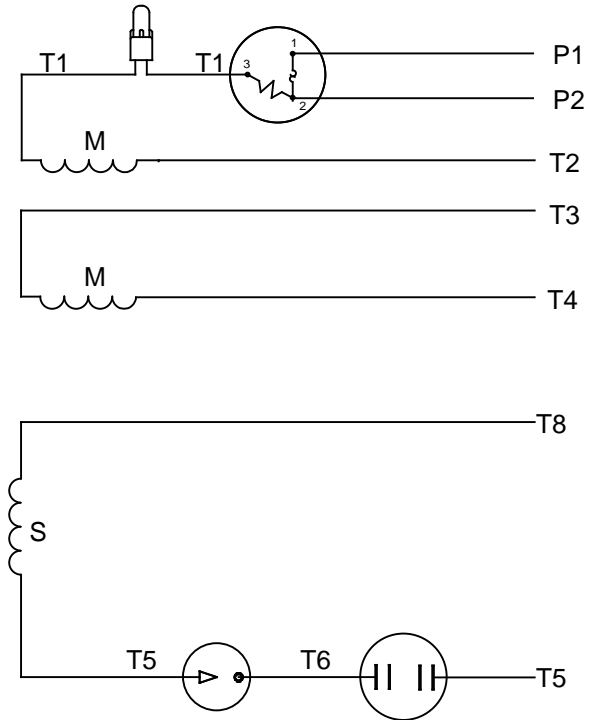
DRAWN BY JJK
DATE 3/31/08
APPROVED BY
DATE
REFERENCE
THIRD ANGLE PROJECTION

REGAL ™ Regal Beloit America, Inc.	
DESCRIPTION MOTOR ASSY OUTLINE - 56C FRAME - TEFC - "C" FACE	
MATERIAL	PROCESS/FINISH
SIZE B	DRAWING NUMBER 028831
SHEET 1 OF 1	

VIEW FROM OUTSIDE OF MOTOR AT SWITCH END



LINE LEADS



RBC PROPRIETARY AND CONFIDENTIAL INFORMATION
 This document is the property of REGAL BELOIT CORPORATION ("RBC") including its subsidiaries and divisions and contains proprietary information of RBC. This document is loaned on the express condition that neither it nor the information contained therein shall be disclosed to others without the express written consent of RBC, and that the information shall be used by the recipient only as approved expressly by RBC. This document shall be returned to RBC upon its request. This document may be subject to certain restrictions under U.S. export control laws and regulations.

	ROTATION FACING LEAD END	L1	L2	JOIN	INSULATE SEPARATELY
HIGH VOLT	C.C.W.	P1	T4 T5	T2,T3 T8	P2
	C.W.	P1	T4 T8	T2,T3 T5	P2
LOW VOLT	C.C.W.	P1	T2,T4 T5	P2,T3 T8	---
	C.W.	P1	T2,T4 T8	P2,T3 T5	---

		TOLERANCES UNLESS SPECIFIED		LEESON	ELECTRIC MOTORS GEARMOTORS AND DRIVES	DRAWN WLV 08/20/79		
NO	REVISION	DEC	INCHES			CHK	ADN 08/27/76	
		.X	±.1			APPR	WRK 08/27/76	
		.XX	±.01	TITLE EXTERNAL WIRING DIAGRAM TYPE "C" W/PROTECTOR		SCALE 1:1		
06	REDRAWN IN SOLIDWORKS	VJB	7/22/2011	.XXX	±.005	REF		
05	REDRAWN ON CAD	DBT	05/27/97	.XXXX	±.0005	FMF		
		BY & DATE	CHK	ANG	±1/2°	PAGE OF		
THIRD ANGLE PROJECTION				RFP	PREV	SIZE	DRAWING NO	REV
				NETWORK FILE NAME 00500303		A	005003-03	06



CERTIFICATION DATA SHEET

**1051 CHEYENNE AVE.
GRAFTON, WI 53024
PH. 262-377-8810**

CONN. DIAGRAM: 005003.03

CATALOG #: 110415.00

OUTLINE: 028831-600B

MOUNTING: F1 ONLY

WINDING #: C632211 FR 3 A

TYPICAL MOTOR PERFORMANCE DATA

HP	kW	SYNC. RPM	F.L. RPM	FRAME	ENCLOSURE	KVA CODE	DESIGN
1	0.75	3600	3450	56C	TEFC	J	N

PH	Hz	VOLTS	AMPS	START TYPE	DUTY	INSL	S.F.	AMB°C
1	60	115/208-230	12/6.2-6	ACROSS THE LINE	CONTINUOUS	B4	1.15	40

FULL LOAD EFF:	70	3/4 LOAD EFF:	68.7	1/2 LOAD EFF:	63.5	GTD. EFF		ELEC. TYPE	
FULL LOAD PF:	76	3/4 LOAD PF:	69.4	1/2 LOAD PF:	58.3	66	CAP START IND RUN		

F.L. TORQUE	LOCKED ROTOR AMPS	L.R. TORQUE	B.D. TORQUE	F.L. RISE°C
24 OZ-FT	68 / 34	80 OZ-FT 333 %	64 OZ-FT 267 %	60

SOUND PRESSURE @ 3 FT.	SOUND POWER	ROTOR WK^2	MAX. WK^2	SAFE STALL TIME	STARTS / HOUR	APPROX. MOTOR WGT
0 dBA	10 dBA	0.05 LB-FT^2	0 LB-FT^2	10 SEC.	0	31 LBS.

***** SUPPLEMENTAL INFORMATION *****

DE BRACKET TYPE	ODE BRACKET TYPE	MOUNT TYPE	ORIENTATION	SEVERE DUTY	HAZARDOUS LOCATION	DRIP COVER	SCREENS	PAINT
C-FACE	STANDARD	ROUND	HORIZONTAL	FALSE	NONE	FALSE	NONE	BLUE - LEESON (ENAMEL)

BEARINGS		GREASE	SHAFT TYPE	SPECIAL DE	SPECIAL ODE	SHAFT MATERIAL	FRAME MATERIAL
DE	ODE						
BALL	BALL	POLYREX EM	STANDARD 56	NONE	NONE	1144 STRESSPROOF (C-223)	ROLLED STEEL
6203	6203						

THERMO-PROTECTORS				THERMISTORS	CONTROL	SPACE HEATERS
THERMOSTATS	PROTECTORS	WDG RTDs	BRG RTDs			
NONE	MANUAL	NONE	NONE	NONE	FALSE	NONE VOLTS

*
N
O
T
E
S

INVERTER TORQUE: NONE
INV. HP SPEED RANGE: NONE
ENCODER: NONE
NONE NONE
NONE NONE PPR
BRAKE: NONE NONE
NONE P/N NONE
NONE NONE
NONE FT-LB NONE V NONE HZ



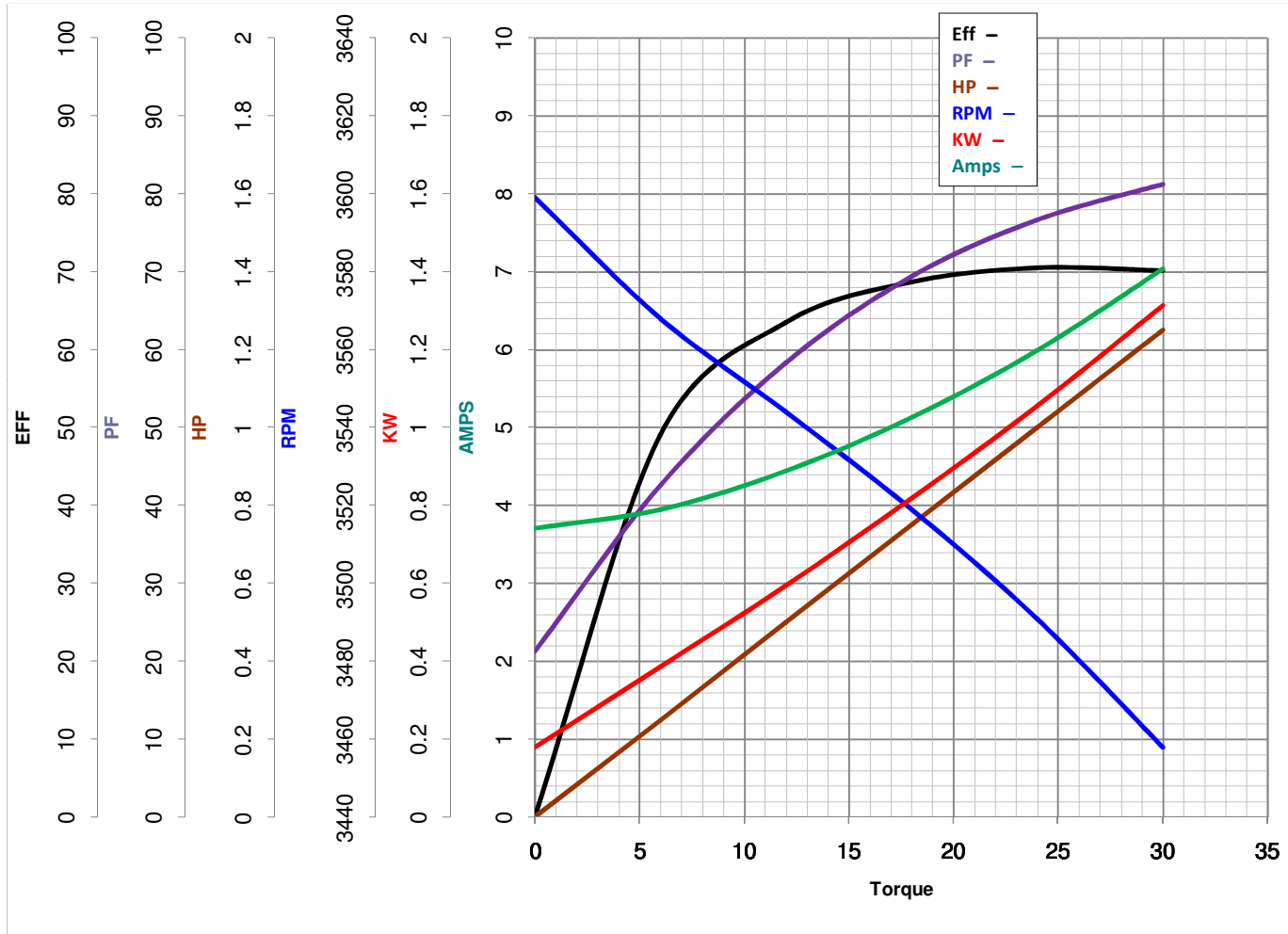
LEESON ELECTRIC CORPORATION
 TYPICAL PERFORMANCE CURVE for AC MOTOR

Model No 110415.00

Curve at 230 Volts HP 1.00 PHASE 1
60 HZ
1 HP VOLTS 115/208-230

Catalog No 110415.00

HZ 60 RPM 3450



Torque in Oz.Ft

FL TORQUE 24 Oz.Ft
 BD TORQUE 64.0 Oz.Ft
 LR TORQUE 80 Oz.Ft

FL AMPS 12/6.2-6
 PU TORQUE 60.0 Oz.Ft
 LR AMPS 34

WINDING C632211-3

Date 3/27/2018