

# PRODUCT INFORMATION PACKET



Model No: 110059.00  
Catalog No: 110059.00  
1 HP General Purpose Motor, 1 phase, 3600 RPM, 115/208-230 V, 56 Frame, TEFC  
General Purpose Motors



Regal and Leeson are trademarks of Regal Rexnord Corporation or one of its affiliated companies.  
©2021 Regal Rexnord Corporation, All Rights Reserved. MC017097E



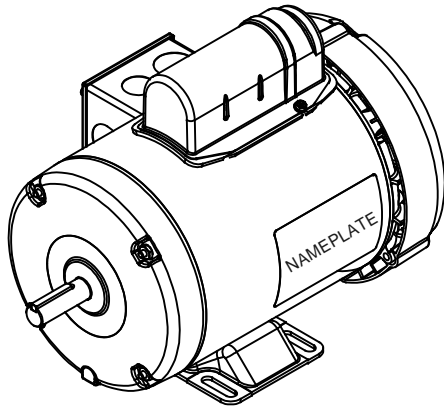
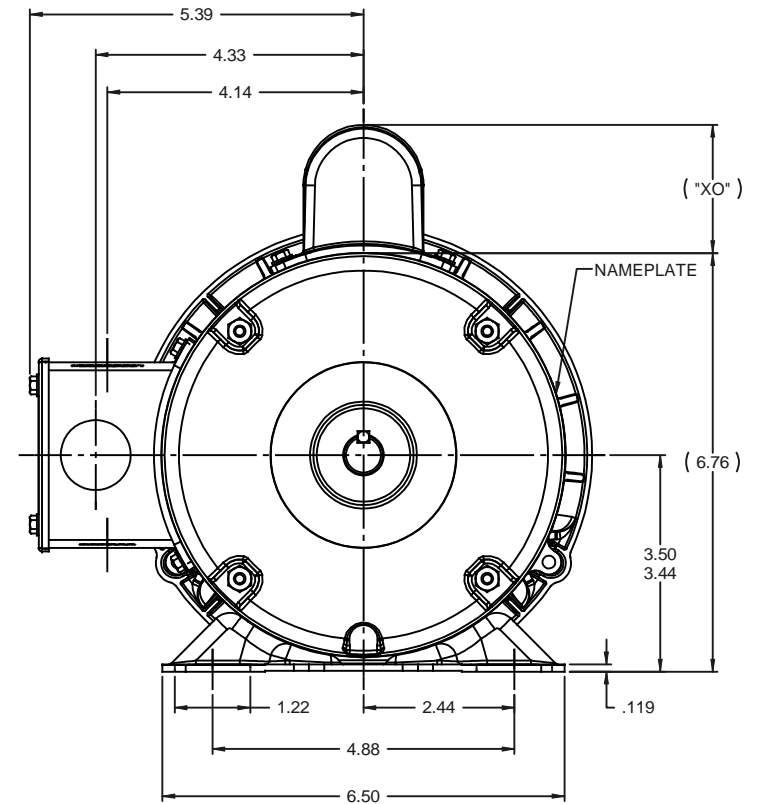
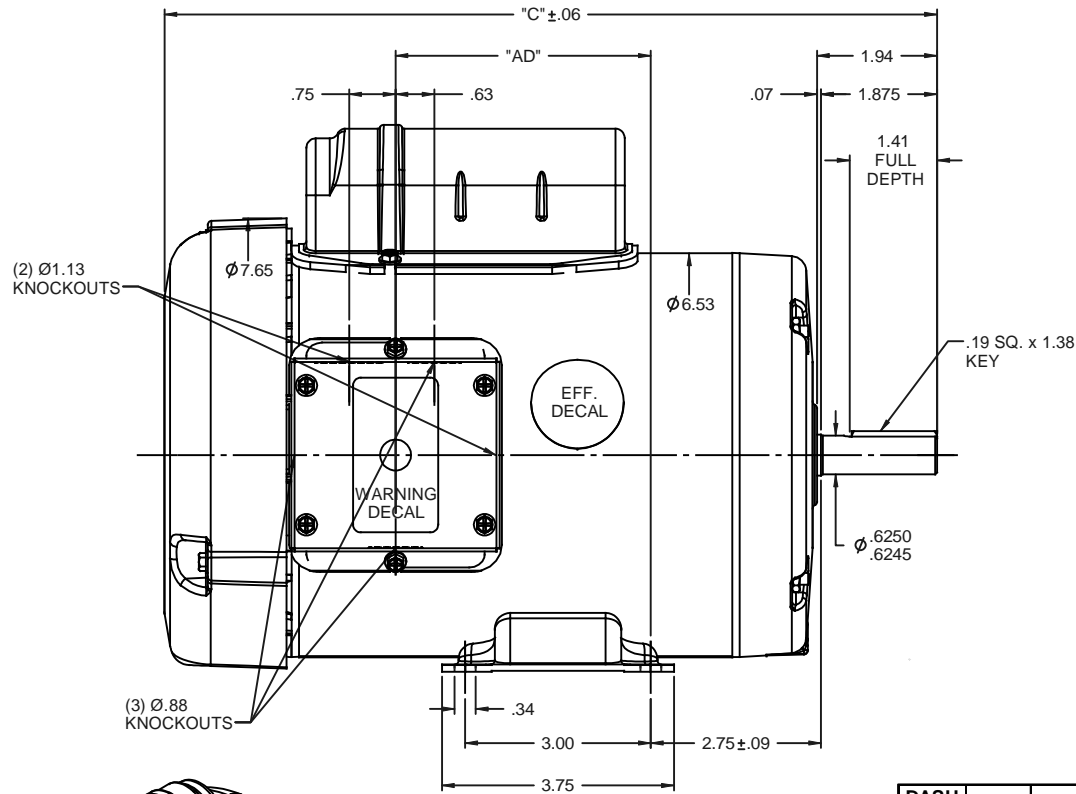


### Nameplate Specifications

Output HP	1 Hp	Output KW	0.75 kW
Frequency	60 Hz	Voltage	115/208-230 V
Current	12.0/6.2-6.0 A	Speed	3450 rpm
Service Factor	1.15	Phase	1
Efficiency	70 %	Power Factor	76
Duty	Continuous	Insulation Class	B
Design Code	N	KVA Code	J
Frame	56	Enclosure	Totally Enclosed Fan Cooled
Thermal Protection	No	Ambient Temperature	40 °C
Drive End Bearing Size	6203	Opp Drive End Bearing Size	6203
UL	Recognized	CSA	Y
CE	N	IP Code	43
Number of Speeds	1		

### Technical Specifications

Electrical Type	Capacitor Start Induction Run	Starting Method	Across The Line
Poles	2	Rotation	Selective Counterclockwise
Resistance Main	1.92 Ohms	Mounting	Rigid Base
Motor Orientation	Horizontal	Drive End Bearing	Ball
Opp Drive End Bearing	Ball	Frame Material	Rolled Steel
Shaft Type	NEMA 56	Overall Length	11.98 in
Frame Length	6.50 in	Shaft Diameter	0.625 in
Shaft Extension	1.88 in	Assembly/Box Mounting	F1 ONLY
Connection Drawing	005005.01	Outline Drawing	028797-650B



DASH NO.	"C"	"AD"	CAP DASH	"XO"
500	10.48	2.13		
550	10.98	2.63		
600	11.48	3.13	A	1.61
650	11.98	3.63	B	2.08
700	12.48	4.13	C	2.32
750	12.98	4.63		

NOTES:  
 1) GASKETS THROUGHOUT

REVISION		BY & DATE	CHK	ANG	FINISH	GENERAL PURPOSE	SCALE	PAGE	OF	REV
01	ADDED ISOMETRIC VIEW AS PER ISAAC #08-4017	GRB/ 9/5/2008	DJ	XXX	±.0005	MATL		1	1	01
THIRD ANGLE PROJECTION										
TOLERANCES UNLESS SPECIFIED:										
DEC										
X										
XX										
XXX										
RFP										
NETWORK FILE NAME										
SIZE										
DRAWING NO										
REV										



**ELECTRIC MOTORS  
 GEARMOTORS  
 AND DRIVES**

DRAWN: KMM 09/18/07  
 CHK  
 APPR

TITLE: OUTLINE - 56 FRAME  
 TEFC - RIGID

SCALE: 1:2  
 REF: 028612

FINISH: GENERAL PURPOSE

FMF: 110094.00  
 PAGE: 1 OF 1

SIZE: **B**  
 DRAWING NO: **028797**  
 REV: **01**

VIEW FROM OUTSIDE OF MOTOR AT SWITCH END.




LINE LEADS



	ROTATION FACING LEAD END	L1	L2	JOIN
HIGH VOLT	C.C.W.	T1	T4, T5	T2, T3, T8
	C.W.	T1	T4, T8	T2, T3, T5
LOW VOLT	C.C.W.	T1, T3, T8	T2, T4, T5	-----
	C.W.	T1, T3, T5	T2, T4, T8	-----

RBC PROPRIETARY AND CONFIDENTIAL INFORMATION  
 This document is the property of REGAL BELOIT CORPORATION ("RBC") including its subsidiaries and divisions and contains proprietary information of RBC. This document is loaned on the express condition that neither it nor the information contained therein shall be disclosed to others without the express written consent of RBC, and that the information shall be used by the recipient only as approved expressly by RBC. This document shall be returned to RBC upon its request. This document may be subject to certain restrictions under U.S. export control laws and regulations.

--	REDRAWN IN SOLIDWORKS	VJB 02/16/11	TOLERANCES UNLESS SPECIFIED		 ELECTRIC MOTORS GEARMOTORS AND DRIVES	DRAWN ADH 08/06/73
27	UPDATED TO CURRENT STANDARDS	DBT 05/27/97	DEC	INCHES		CHK
26	ADDED PAGE 32 (114787) & PAGE 33 (114788)	KAZ 12/20/95	PG	.X ±.1		APPR JCW 03/09/79
25	ADDED PAGE 31	KAZ 04/19/95	DL	.XX ±.01	TITLE EXTERNAL WIRING DIAGRAM	SCALE 1:1
24	ADDED PAGES 29 & 30	KMM 03/30/95	DL	.XXX ±.005	TYPE "C" W/O PROTECTOR	REF FIG 2-23 C4A
23	ADDED PAGE 28	KMM 01/27/95		.XXXX ±.0005	MAT'L DECAL - 004012	FMF MGI-2.4B
NO	REVISION	BY & DATE	CHK	ANG ±1/2°	FINISH	PAGE OF
THIRD ANGLE PROJECTION			RFP	PREV	SIZE	DRAWING NO
			NETWORK FILE NAME 00500501		A	005005-01
						REV
						--



**CERTIFICATION DATA SHEET**

**1051 CHEYENNE AVE.  
GRAFTON, WI 53024  
PH. 262-377-8810**

**CONN. DIAGRAM:** 005005.01

**CATALOG #:** 110059.00

**OUTLINE:** 028797-650B

**MOUNTING:** F1 ONLY

**WINDING #:** C632211 FR 3 A

**TYPICAL MOTOR PERFORMANCE DATA**

HP	kW	SYNC. RPM	F.L. RPM	FRAME	ENCLOSURE	KVA CODE	DESIGN
1	0.75	3600	3450	56	TEFC	J	N

PH	Hz	VOLTS	AMPS	START TYPE	DUTY	INSL	S.F.	AMB°C
1	60	115/208-230	12/6.2-6	ACROSS THE LINE	CONTINUOUS	B4	1.15	40

FULL LOAD EFF:	70	3/4 LOAD EFF:	68.7	1/2 LOAD EFF:	63.5	GTD. EFF		ELEC. TYPE	
FULL LOAD PF:	76	3/4 LOAD PF:	69.4	1/2 LOAD PF:	58.3	66	CAP START IND RUN		

F.L. TORQUE	LOCKED ROTOR AMPS	L.R. TORQUE	B.D. TORQUE	F.L. RISE°C
24 OZ-FT	68 / 34	80 OZ-FT 333 %	64 OZ-FT 267 %	60

SOUND PRESSURE @ 3 FT.	SOUND POWER	ROTOR WK^2	MAX. WK^2	SAFE STALL TIME	STARTS / HOUR	APPROX. MOTOR WGT
0 dBA	10 dBA	0.05 LB-FT^2	0 LB-FT^2	10 SEC.	0	31 LBS.

**\*\*\* SUPPLEMENTAL INFORMATION \*\*\***

DE BRACKET TYPE	ODE BRACKET TYPE	MOUNT TYPE	ORIENTATION	SEVERE DUTY	HAZARDOUS LOCATION	DRIP COVER	SCREENS	PAINT
STANDARD	STANDARD	RIGID	HORIZONTAL	FALSE	NONE	FALSE	NONE	BLUE - LEESON (ENAMEL)

BEARINGS		GREASE	SHAFT TYPE	SPECIAL DE	SPECIAL ODE	SHAFT MATERIAL	FRAME MATERIAL
DE	ODE						
BALL	BALL	POLYREX EM	STANDARD 56	NONE	NONE	1144 STRESSPROOF (C-223)	ROLLED STEEL
6203	6203						

THERMO-PROTECTORS				THERMISTORS	CONTROL	SPACE HEATERS
THERMOSTATS	PROTECTORS	WDG RTDs	BRG RTDs			
NONE	NOT	NONE	NONE	NONE	FALSE	NONE VOLTS

\*  
N  
O  
T  
E  
S

<b>INVERTER TORQUE:</b> NONE
<b>INV. HP SPEED RANGE:</b> NONE
<b>ENCODER:</b> NONE
NONE NONE
NONE NONE PPR
<b>BRAKE:</b> NONE NONE
NONE P/N NONE
NONE NONE
NONE FT-LB NONE V NONE Hz



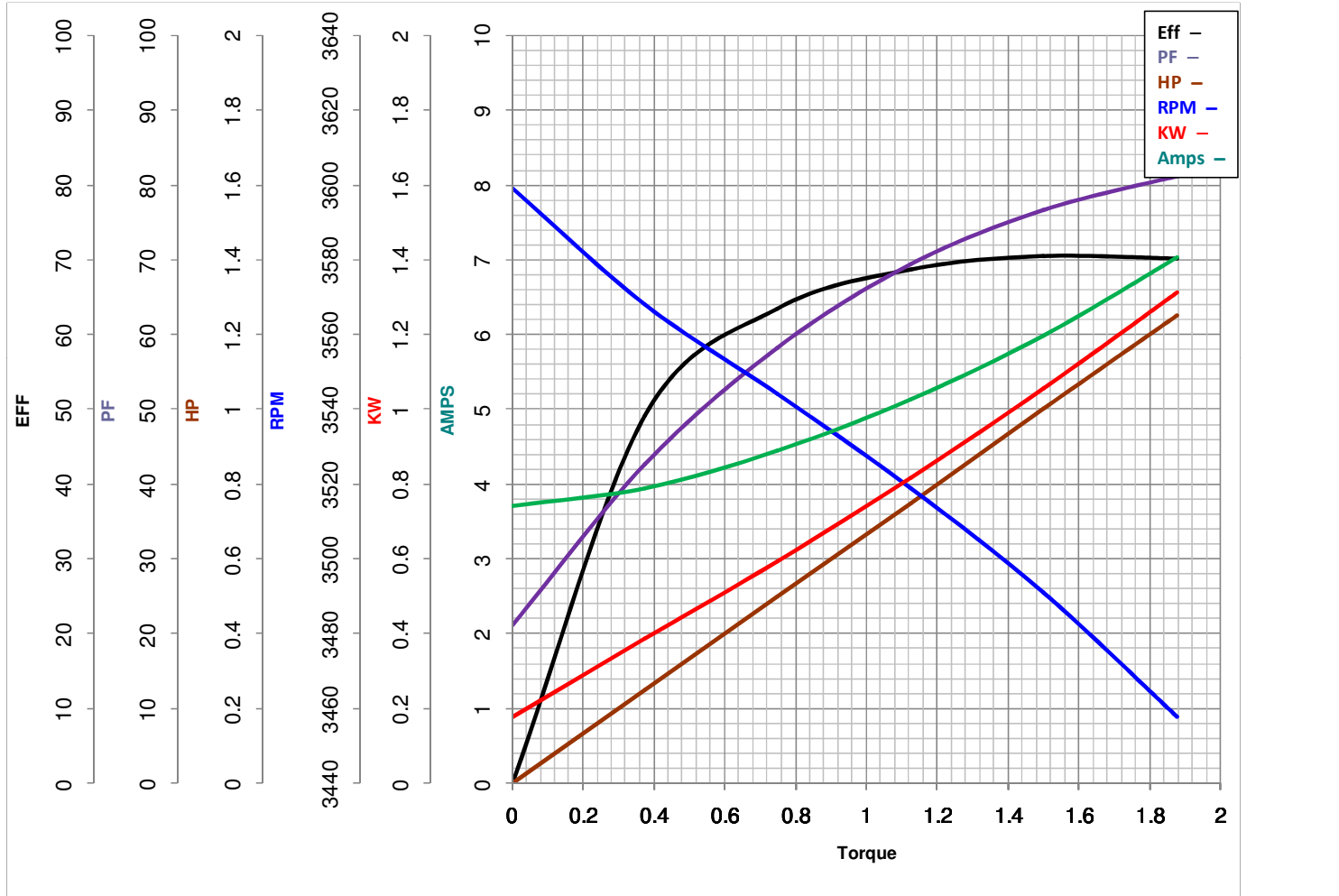
**LEESON ELECTRIC CORPORATION**  
 TYPICAL PERFORMANCE CURVE for AC MOTOR

Model No 110059.00

Curve at 230 Volts HP 1.00 PHASE 1  
60 HZ  
1 HP VOLTS 115/208-230

Catalog No 110059.00

HZ 60 RPM 3450



Torque in Lb.Ft

FL TORQUE 1.5 Lb.Ft  
 BD TORQUE 4.0 Lb.Ft  
 LR TORQUE 5 Lb.Ft

FL AMPS 12/6.2-6  
 PU TORQUE 3.8 Lb.Ft  
 LR AMPS 34

WINDING C632211-3

Date 4/11/2018