

PRODUCT INFORMATION PACKET



Model No: 110029.00
Catalog No: 110029.00
1 HP General Purpose Motor, 3 phase, 1800 RPM, 208-230/460 V, 56 Frame, ODP
Three Phase ODP Motors



Regal and Leeson are trademarks of Regal Beloit Corporation or one of its affiliated companies.
©2021 Regal Beloit Corporation, All Rights Reserved. MC017097E





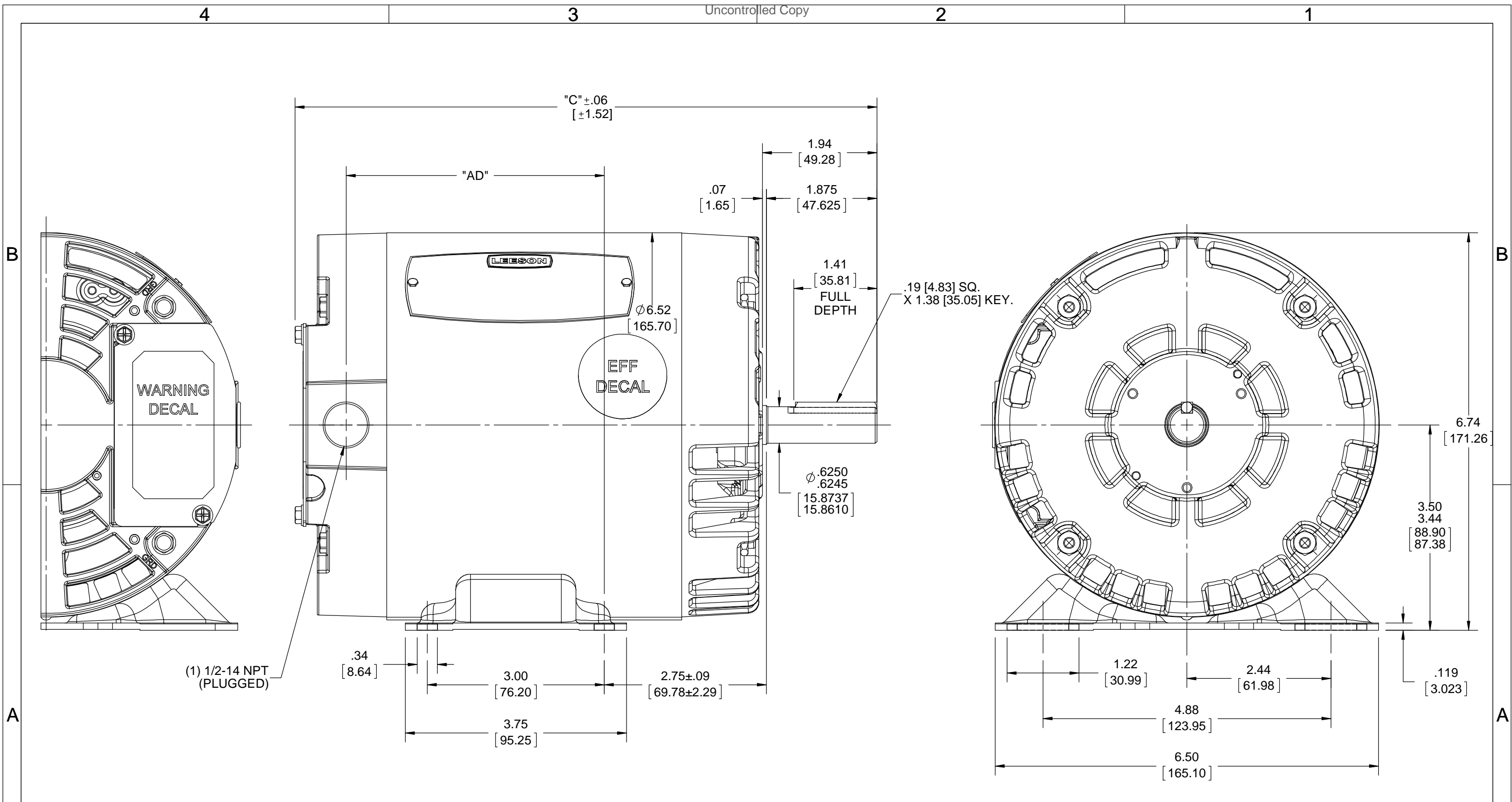
Nameplate Specifications

| | | | |
|------------------------|------------|----------------------------|---------------|
| Output HP | 1 Hp | Output KW | 0.75 kW |
| Frequency | 60 Hz | Voltage | 208-230/460 V |
| Current | 4.2/2.1 A | Speed | 1725 rpm |
| Service Factor | 1.15 | Phase | 3 |
| Efficiency | 78.5 % | Power Factor | 58 |
| Duty | Continuous | Insulation Class | B |
| Design Code | B | KVA Code | K |
| Frame | 56 | Enclosure | Drip Proof |
| Thermal Protection | No | Ambient Temperature | 40 °C |
| Drive End Bearing Size | 6203 | Opp Drive End Bearing Size | 6203 |
| UL | Recognized | CSA | Y |
| CE | N | IP Code | 22 |

Technical Specifications

| | | | |
|-----------------------|-----------------------------|-----------------------|-----------------|
| Electrical Type | Squirrel Cage Induction Run | Starting Method | Across The Line |
| Poles | 4 | Rotation | Reversible |
| Resistance Main | 19.48 Ohms | Mounting | Rigid base |
| Motor Orientation | HORIZONTAL | Drive End Bearing | BALL |
| Opp Drive End Bearing | BALL | Frame Material | Rolled Steel |
| Shaft Type | NEMA 56 | Overall Length | 10.34 in |
| Frame Length | 5.50 in | Shaft Diameter | 0.625 in |
| Shaft Extension | 1.88 in | Assembly/Box Mounting | F1 Only |
| Connection Drawing | 005010.01 | Outline Drawing | 034944-550 |

This is an uncontrolled document once printed or downloaded and is subject to change without notice. Date Created:05/01/2021



| DASH NO. | "C" | "AD" |
|----------|----------------|---------------|
| 500 | 9.87 [250.69] | 4.38 [111.25] |
| 550 | 10.37 [263.39] | 4.88 [123.95] |
| 600 | 10.87 [276.09] | 5.38 [136.65] |
| 650 | 11.37 [288.79] | 5.88 [149.35] |

| | | |
|--|-----------------------------|--------------------|
| DRAWING REVISION C | REVISION BY A.SUPPANAVAR | DATE 03/07/2018 |
| ECO ECO-0148826 | APPROVED BY PK | DATE 07/16/2018 |
| ECO DESCRIPTION OUTLINE CONVERSION PROJECT COPYRIGHT REGAL BELOIT AMERICA, INC. ALL RIGHTS RESERVED. PROPRIETARY AND CONFIDENTIAL INFORMATION - THIS DOCUMENT IS THE PROPERTY OF REGAL BELOIT AMERICA, INC. ("OWNER") AND CONTAINS OWNER'S PROPRIETARY INFORMATION. ANY PERSON, CORPORATION OR OTHER FIRM RECEIVING IT IS DEEMED, BY RECEIVING IT, TO AGREE THAT IT, AND/OR ANY PART OF IT, SHALL NOT BE DISCLOSED TO ANY PERSON, CORPORATION OR OTHER ENTITY, DUPLICATED, AND/OR USED, EXCEPT AS EXPRESSLY APPROVED IN WRITING IN ADVANCE BY OWNER. THIS DOCUMENT SHALL BE RETURNED TO OWNER UPON REQUEST. IT MAY BE SUBJECT TO CERTAIN RESTRICTIONS UNDER APPLICABLE EXPORT CONTROL LAWS AND REGULATIONS. | | |

| | | | |
|---|---------|-----------|-------|
| TOLERANCES UNLESS OTHERWISE SPECIFIED: | | | |
| DEC. | INCH | mm | ANGLE |
| .X | ±0.1 | [±2.5] | ±0.5° |
| .XX | ±0.03 | [±0.76] | |
| .XXX | ±0.005 | [±0.127] | |
| .XXXX | ±0.0005 | [±0.0127] | |
| REMOVE BURRS & BREAK SHARP EDGES: .003/.015 [0.076/.381] X 45° CORNER FILLETS: R.02 [0.51] MACHINED SURFACES: 125 INCH/mm 3.2 | | | |
| mm SHOWN IN [BRACKETS] | | | |

| | |
|---------------------|------------------------|
| DRAWN BY RDW | DATE 06/07/02 |
| APPROVED BY SW | DATE 06/07/02 |
| REFERENCE 032501 | THIRD ANGLE PROJECTION |

| | |
|--|---------------------------------|
| REGAL ™ Regal Beloit America, Inc. | |
| DESCRIPTION OUTLINE 56 FRAME DRIP PROOF - RIGID | |
| MATERIAL GENERAL PURPOSE | PROCESS/FINISH |
| SIZE B | DRAWING NUMBER 034944 |
| SHEET 1 OF 1 | |

005010-01

VIEW FROM OUTSIDE OF MOTOR AT SWITCH END.



| VOLTAGE | L1 | L2 | L3 | JOIN & INSULATE |
|---------|-------|-------|-------|-------------------------------|
| HIGH | T1 | T2 | T3 | (T4,T7) (T5,T8) (T6,T9) |
| LOW | T1,T7 | T2,T8 | T3,T9 | T4,T5,T6 |

| | | | | | | | | | | | |
|--|-----------------------|--|--|--------------------------------|----------|--|-------|-----------------------|-----------|-------------|------|
| | | | | TOLERANCES UNLESS SPECIFIED | | REGAL ™ Regal Beloit America, Inc. | | DRAWN RDW 04/12/02 | | | |
| | | | | DEC. | INCHES | | | CHK | | | |
| | | | | .X | ±.1 | | | APPD | | | |
| | | | | .XX | ±.01 | | | SCALE 1=1 | | | |
| | | | | .XXX | ±.005 | TITLE | | REF FIG.2-51 | | | |
| A | UPDATED TO REGAL LOGO | | | SAJ | 06/26/15 | AJY | .XXXX | MAT'L. DECAL - 004014 | | | |
| NO. | REVISION | | | BY & DATE | CHK | ANG | ±1/2" | FINISH | | | |
| THIS DRAWING IN DESIGN AND DETAIL IS OUR PROPERTY AND MUST NOT BE USED EXCEPT IN CONNECTION WITH OUR WORK ALL RIGHTS OF DESIGN AND INVENTION ARE RESERVED THIS IS AN ELECTRONICALLY GENERATED DOCUMENT - DO NOT SCALE THIS PRINT | | | | RFP | 04/12/02 | CAD FILE | | 00501001 | SIZE | DRAWING NO. | REV. |
| | | | | DIST | BRF-NLV | | | A | 005010-01 | A | |