

PRODUCT INFORMATION PACKET



Model No: 103821.00

Catalog No: 103821.00

Instant Reversing Motor, 0.50 & 0.50 HP, 1 Ph, 60 & 50 Hz, 115 & 115 V, 1800 & 1500 RPM,
S56Z Frame, DP



Regal and Leeson are trademarks of Regal Rexnord Corporation or one of its affiliated companies.

©2023 Regal Rexnord Corporation, All Rights Reserved. MC017097E





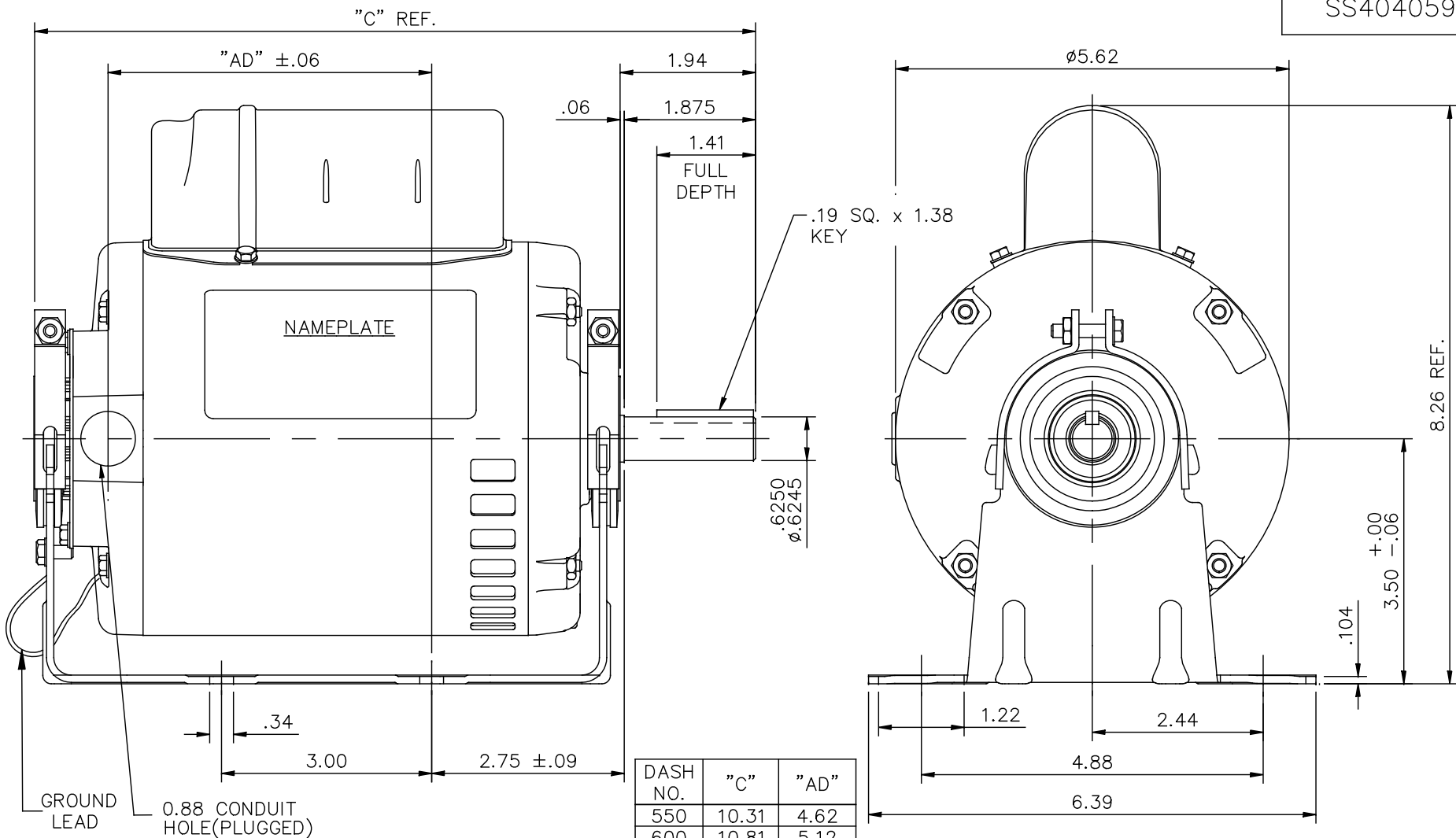
Nameplate Specifications

Phase	1	Output HP	0.50 & 0.50 Hp
Output KW	0.37 & 0.37 kW	Voltage	115 & 115 V
Speed	1535 & 1225 rpm	Service Factor	1.0 & 1.0
Frame	S56Z	Enclosure	Drip Proof
Thermal Protection	Manual	Efficiency	57.7 & 60 %
Ambient Temperature	40 °C	Frequency	60 & 50 Hz
Current	5.1 & 4.65 A	Power Factor	99.1
Duty	60 Minute	Insulation Class	B
Design Code	N	KVA Code	A
Drive End Bearing Size	6203	Opp Drive End Bearing Size	6203
UL	Recognized	CSA	Y
CE	N	IP Code	12
Number of Speeds	1		


Technical Specifications

Electrical Type	Permanent Split Capacitor	Starting Method	Across The Line
Poles	4	Rotation	Selective Counterclockwise
Resistance Main	0 Ohms	Mounting	Resilient Base
Motor Orientation	Horizontal	Drive End Bearing	Ball
Opp Drive End Bearing	Ball	Frame Material	Rolled Steel
Shaft Type	NEMA 56	Overall Length	10.81 in
Frame Length	6.00 in	Shaft Diameter	0.625 in
Shaft Extension	3.12 in	Assembly/Box Mounting	F1 ONLY
Outline Drawing	SS404059-600	Connection Drawing	005024-08

SS404059

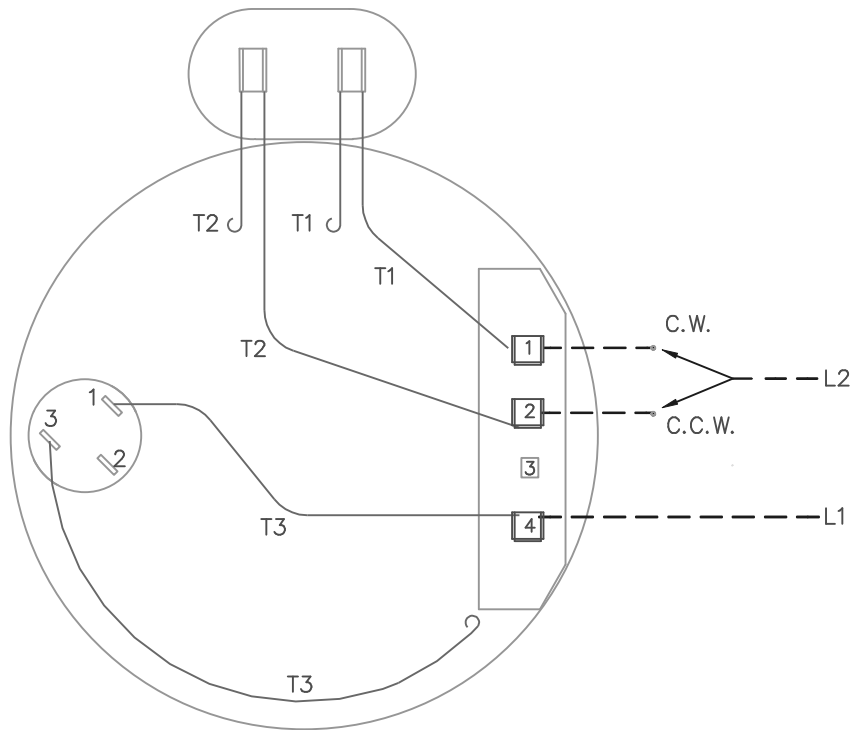


DASH NO.	"C"	"AD"
550	10.31	4.62
600	10.81	5.12
650	11.31	5.62
700	11.81	6.12

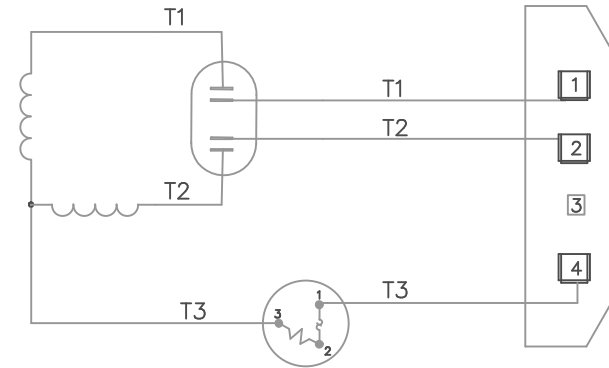
				TOLERANCES UNLESS SPECIFIED		 Regal Beloit America, Inc.		DRAWN PST 02/03/2014	
				DEC.	INCHES			CHK VS 02/03/2014	
				.X	±.1	TITLE		APPD	
				.XX	±.03			SCALE 1:1	
				.XXX	±.005			REF 031775	
B	ADDED GROUND LEAD	SL 04/19/2016	SM	.XXXX	±.0005	MAT'L. 1 PHASE		FMF 103821.00	
NO.	REVISION	BY & DATE	CHK	ANG	±1/2'	FINISH STANDARD		PREV	
THIS DRAWING IN DESIGN AND DETAIL IS OUR PROPERTY AND MUST NOT BE USED EXCEPT IN CONNECTION WITH OUR WORK ALL RIGHTS OF DESIGN AND INVENTION ARE RESERVED THIS IS AN ELECTRONICALLY GENERATED DOCUMENT - DO NOT SCALE THIS PRINT				RFP	CAD FILE SS404059		SIZE	DRAWING NO.	
				DIST			A	SS404059	
								REV. B	

005024-08

VIEW FROM OUTSIDE OF MOTOR AT SWITCH END.

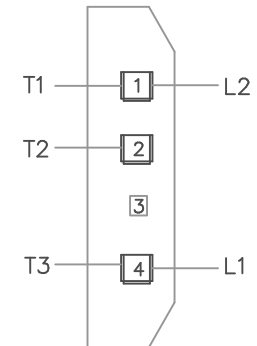
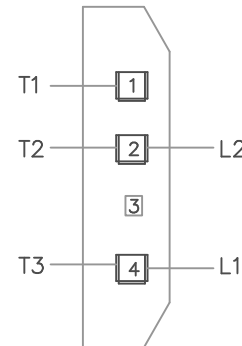


LINE LEADS



C.C.W. L.E.

C.W. L.E.



				TOLERANCES UNLESS OTHERWISE SPECIFIED		LEESON ELECTRIC CORPORATION			
				DECIMALS					
				.00	± .01	DRAWN DLL 11/30/82	TITLE EXTERNAL WIRING DIAGRAM		
				.000	± .005	CH'K'D. ADH 12/01/82	TYPE "P" W/PROTECTOR		
01	REDRAWN ON CAD	DBT	06/19/97	.0000	± .0005	APPR. JCW 12/01/82	MAT'L. DECAL - 080094		
NO.	REVISION	BY	DATE	FRACTIONS	± 1/64	SCALE 1=1	BRF		
				ANGLES	± 1/2"	REF. PG.5			
				INCH/MM		FMF 4P17DJ5	PARKING DEV.		

THIS DRAWING IN DESIGN AND DETAIL IS OUR PROPERTY AND MUST NOT BE USED EXCEPT IN CONNECTION WITH OUR WORK ALL RIGHTS OF DESIGN AND INVENTION ARE RESERVED



CERTIFICATION DATA SHEET

1051 CHEYENNE AVE.
GRAFTON, WI 53024
PH. 262-377-8810

CATALOG #: 103821.00

CONN. DIAGRAM: A005024-08

OUTLINE: SS404059-600

MOUNTING: F1 ONLY

WINDING #: PE484452 R1 1

TYPICAL MOTOR PERFORMANCE DATA

HP	kW	SYNC. RPM	F.L. RPM	FRAME	ENCLOSURE	KVA CODE	DESIGN
1/2&1/2	0.37&0.37	1800	1535&1225	S56Z	DP	A	N

PH	Hz	VOLTS	AMPS	START TYPE	DUTY	INSL	S.F.	AMB°C
1	60/50	115&115	5.1&4.65	ACROSS THE LINE	60 MINUTE	B3	1.0/1.0	40

FULL LOAD EFF:	57.7&60	3/4 LOAD EFF:	51.4	1/2 LOAD EFF:	40.8	GTD. EFF		ELEC. TYPE	
FULL LOAD PF:	99.1&99.6	3/4 LOAD PF:	97.2	1/2 LOAD PF:	95.6	52.5		PSC 1 SPEED	

F.L. TORQUE	LOCKED ROTOR AMPS	L.R. TORQUE	B.D. TORQUE	F.L. RISE°C
24.34 OZ-IN	8.8	31.5 OZ-IN 129 %	41.4 OZ-IN 170 %	70

SOUND PRESSURE @ 3 FT.	SOUND POWER	ROTOR WK^2	MAX. WK^2	SAFE STALL TIME	STARTS / HOUR	APPROX. MOTOR WGT
0 dBA	10 dBA	-1 LB-FT^2	0 LB-FT^2	0 SEC.	0	26 LBS.

*** SUPPLEMENTAL INFORMATION ***

DE BRACKET TYPE	ODE BRACKET TYPE	MOUNT TYPE	ORIENTATION	SEVERE DUTY	HAZARDOUS LOCATION	DRIP COVER	SCREENS	PAINT
STANDARD	STANDARD	RESILIENT BASE	HORIZONTAL	FALSE	NONE	FALSE	NONE	GRAY - LIGHT

BEARINGS		GREASE	SHAFT TYPE	SPECIAL DE	SPECIAL ODE	SHAFT MATERIAL	FRAME MATERIAL
DE	ODE						
BALL	BALL	POLYREX EM	SGL SPL EXT	SPECIAL	NONE	1144 STRESSPROOF (C-223)	ROLLED STEEL
6203	6203						

THERMO-PROTECTORS				THERMISTORS	CONTROL	SPACE HEATERS
THERMOSTATS	PROTECTORS	WDG RTDs	BRG RTDs			
NONE	MANUAL	NONE	NONE	NONE	FALSE	NONE VOLTS

*
N
O
T
E
S

INVERTER TORQUE: NONE
INV. HP SPEED RANGE: NONE
ENCODER: NONE
NONE NONE
NONE NONE PPR
BRAKE: NONE NONE
NONE P/N NONE
NONE NONE
NONE FT-LB NONE V NONE HZ

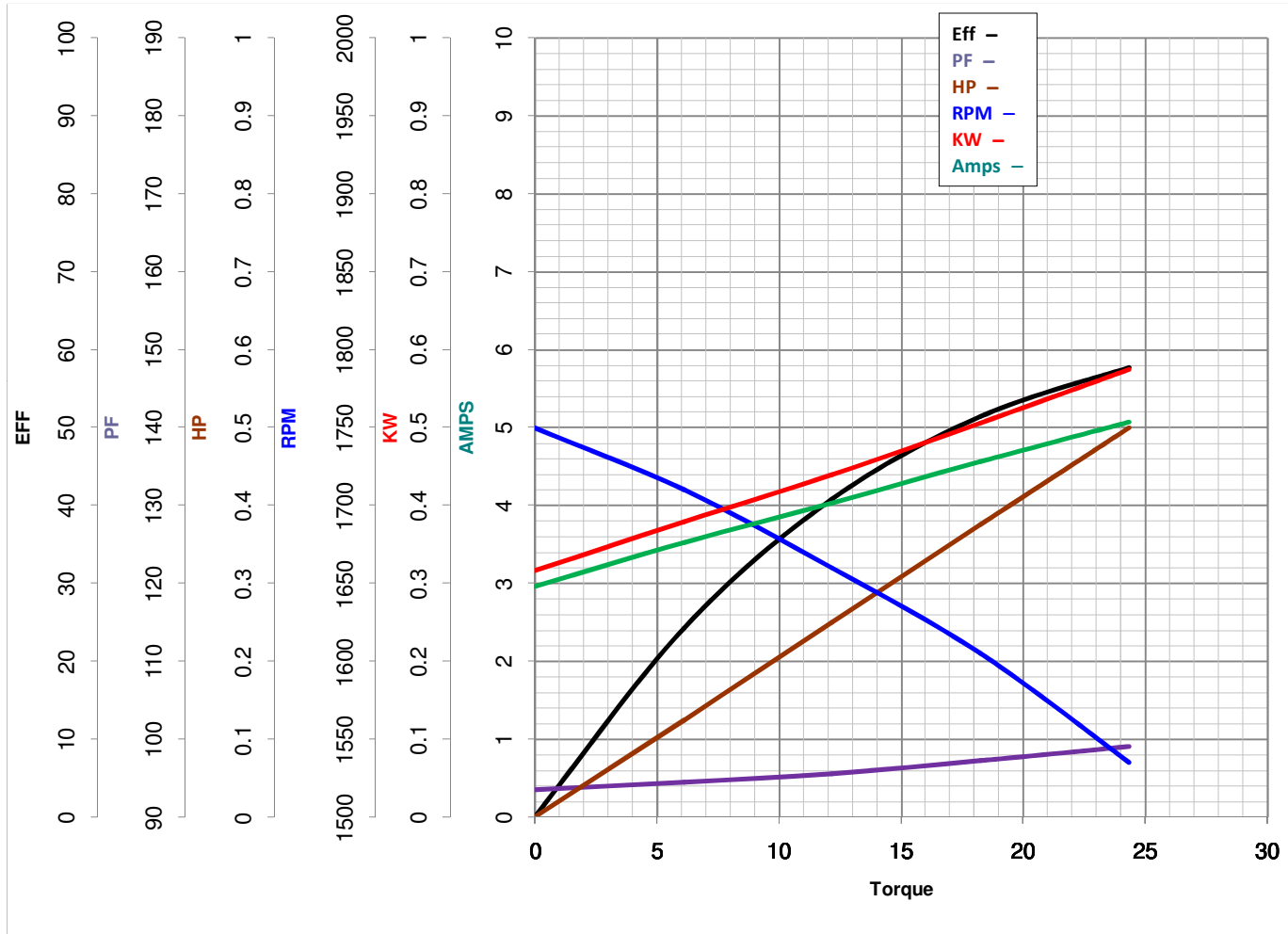


LEESON ELECTRIC CORPORATION
TYPICAL PERFORMANCE CURVE for AC MOTOR

Model No 103821.00

Catalog No 103821.00

Curve at 115 Volts HP 0.5&0.5 PHASE 1
60 HZ
0.5 HP VOLTS 115
HZ 60 RPM 1535



Torque in Oz.Ft

FL TORQUE 24.34 Oz.Ft
 BD TORQUE 41.4 Oz.Ft
 LR TORQUE 31.5 Oz.Ft

FL AMPS 5.1
 PU TORQUE 31.5 Oz.Ft
 LR AMPS 8.8

WINDING PE484452-1

Date 3/23/2018