

PRODUCT INFORMATION PACKET



Model No: 103711.00

Catalog No: 103711.00

0.25 HP Pedestal Fan HVAC/R Motor, 1 phase, 1800 RPM, 115/230 V, 48Y Frame, TENV
Pedestal Fan Motors



Regal and Leeson are trademarks of Regal Rexnord Corporation or one of its affiliated companies.

©2021 Regal Rexnord Corporation, All Rights Reserved. MC017097E



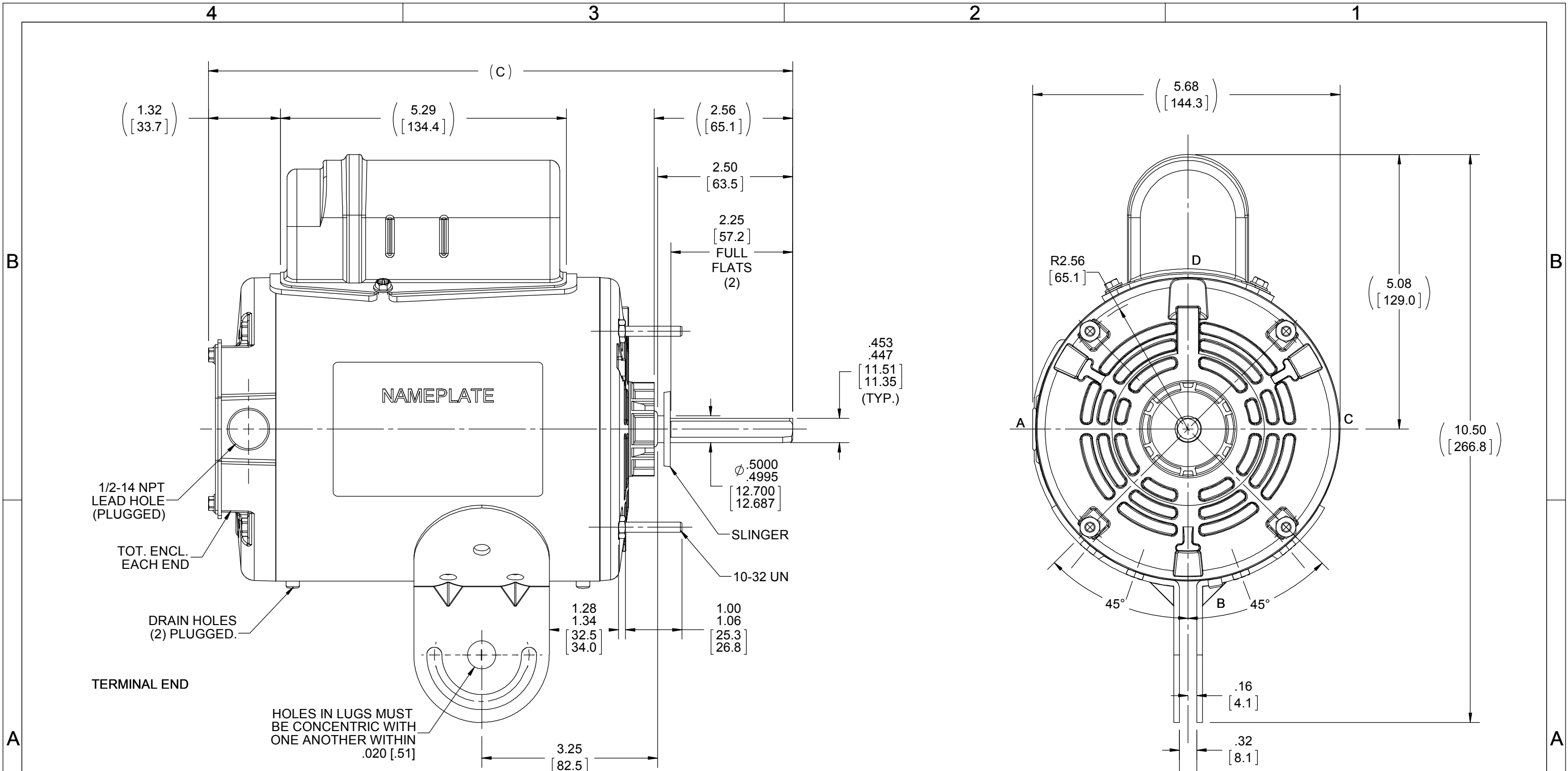


Nameplate Specifications

Output HP	0.25 Hp	Output KW	0.19 kW
Frequency	60 Hz	Voltage	115/230 V
Current	3.6/1.8 A	Speed	1625 rpm
Service Factor	1	Phase	1
Efficiency	68 %	Power Factor	87.5
Duty	Continuous	Insulation Class	B
Design Code	N	KVA Code	F
Frame	48YZ	Enclosure	Totally Enclosed Non Ventilated
Thermal Protection	Automatic Lock Rotor Only	Ambient Temperature	40 °C
Drive End Bearing Size	6203	Opp Drive End Bearing Size	6203
UL	Recognized	CSA	Y
CE	N	IP Code	43
Number of Speeds	1		

Technical Specifications

Electrical Type	Permanent Split Capacitor	Starting Method	Across The Line
Poles	4	Rotation	Selective Counterclockwise
Resistance Main	0 Ohms	Mounting	Round - Swing Arm
Motor Orientation	Horizontal	Drive End Bearing	Ball
Opp Drive End Bearing	Ball	Frame Material	Rolled Steel
Shaft Type	Single Special Extension	Overall Length	10.81 in
Frame Length	6.00 in	Shaft Diameter	0.625 in
Shaft Extension	2.56 in	Assembly/Box Mounting	F1 ONLY
Connection Drawing	EE9057BA-LE	Outline Drawing	SS403994LE-600



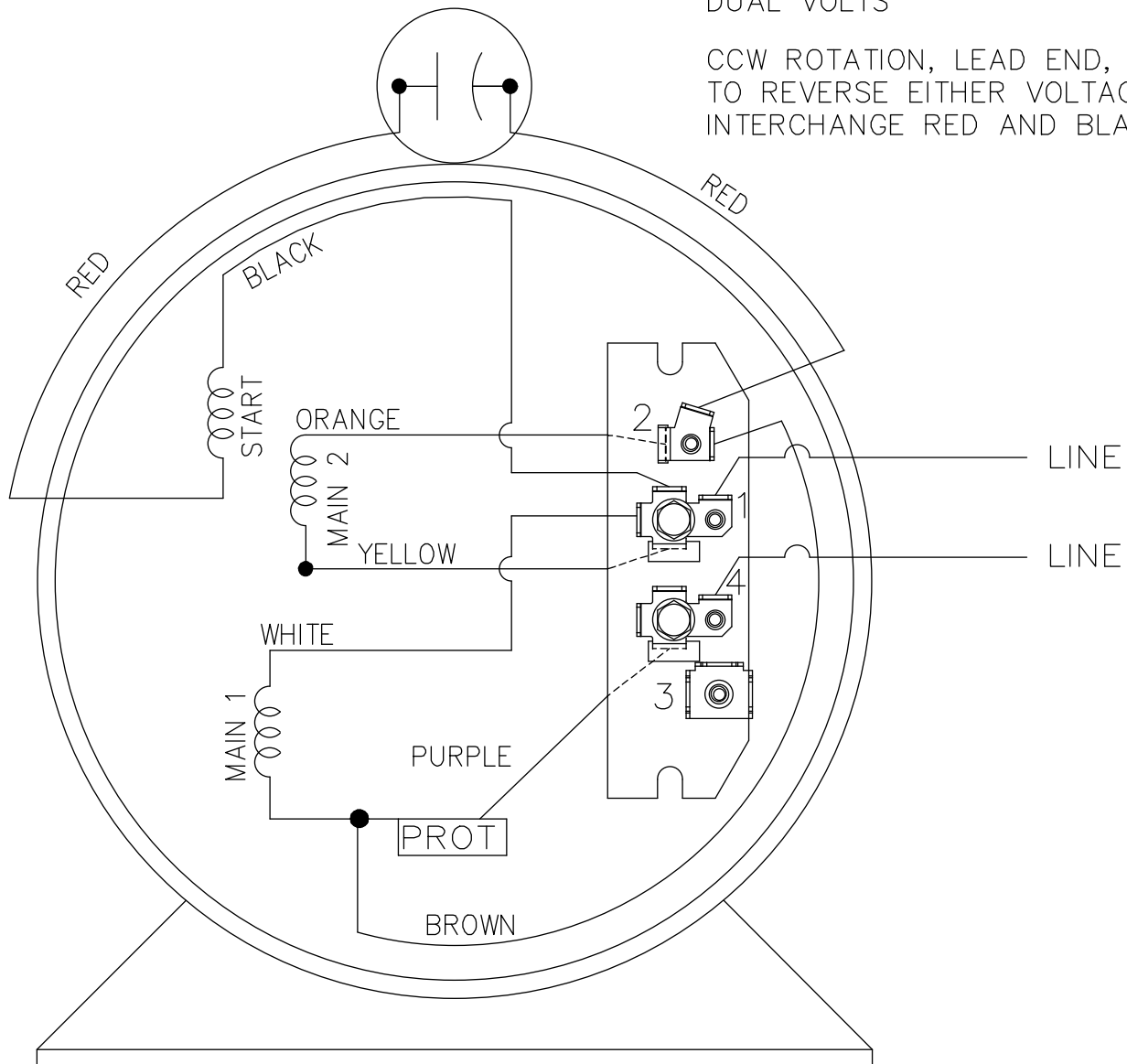
NOTE:-
 1) TOTALLY ENCLOSED MOTOR
 2) FULLY GASKETED.

DASH	"C"
525	10.06 [255.5]
550	10.31 [261.8]
600	10.81 [274.5]
625	11.06 [280.9]

DRAWING REVISION E	REVISION BY A.SUPPANAVAR	REV DATE/© DATE 01/29/2019	TOLERANCES (EXCEPT AS NOTED): DEC. INCH mm ANGLE .X ±0.1 [±3] ±7' 30" .XX ±0.03 [±0.8] .XXX ±0.005 [±0.13] .XXXX ±0.0005 [±0.013] REMOVE BURRS & BREAK SHARP EDGES: .003/.015 [.08/.38] X 45° CORNER FILLETS: R.02 [.5] MACHINED SURFACES: 200/ 5.1 INCH/mm mm DIMENSIONS IN [BRACKETS] ARE FOR REFERENCE ONLY	DRAWN BY SVL	REGAL ® Regal Beloit America, Inc.
ECO ECO-0165863	APPROVED BY D SURYAWANSHI	DATE 04/22/2019		DATE 1-7-2012	
ECO DESCRIPTION OUTLINE CONVERSION PROJECT COPYRIGHT (PER REVISION DATE) REGAL BELOIT AMERICA, INC. ALL RIGHTS RESERVED. PROPRIETARY AND CONFIDENTIAL INFORMATION - THIS DOCUMENT IS THE PROPERTY OF REGAL BELOIT AMERICA, INC. ("OWNER") AND CONTAINS OWNER'S PROPRIETARY INFORMATION. ANY PERSON, CORPORATION OR OTHER FIRM RECEIVING IT IS DEEMED, BY RECEIVING IT, TO AGREE THAT IT, AND/OR ANY PART OF IT, SHALL NOT BE DISCLOSED TO ANY PERSON, CORPORATION OR OTHER ENTITY, DUPLICATED, AND/OR USED, EXCEPT AS EXPRESSLY APPROVED IN WRITING IN ADVANCE BY OWNER. THIS DOCUMENT SHALL BE RETURNED TO OWNER UPON REQUEST. IT MAY BE SUBJECT TO CERTAIN RESTRICTIONS UNDER APPLICABLE EXPORT CONTROL LAWS AND REGULATIONS.				APPROVED BY SVL	MATERIAL
				DATE 1-7-2012	PROCESS/FINISH
				REFERENCE SS403014	
				THIRD ANGLE PROJECTION	SIZE B
					DRAWING NUMBER SS403994LE
					SHEET 1 OF 1

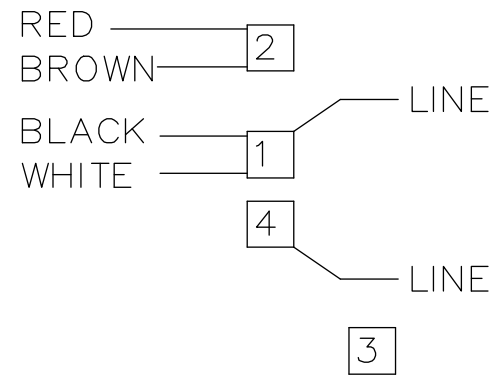
DUAL VOLTS

CCW ROTATION, LEAD END, SHOWN
TO REVERSE EITHER VOLTAGE
INTERCHANGE RED AND BLACK LEADS.

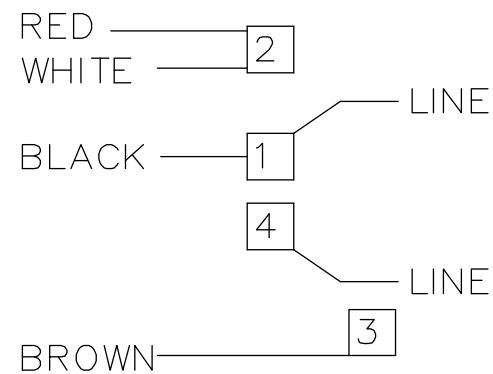



VIEW OF TERMINAL END

LOW VOLTAGE



HIGH VOLTAGE



				TOLERANCES UNLESS SPECIFIED			ELECTRIC MOTORS GEARMOTORS AND DRIVES	DRAWN	PVR 11/16/12					
				DEC.	INCHES			CHK	RD 11/16/12					
				.X	± -			APPD						
				.XX	± -			TITLE	CONNECTION DIAGRAM	SCALE	1=1			
				.XXX	± -			MAT'L.		REF	EE9057T			
				.XXXX	± -	FINISH		FMF	MU110993					
NO.	REVISION	BY & DATE	CHK	ANG	± -			PREV	PR121931					
THIS DRAWING IN DESIGN AND DETAIL IS OUR PROPERTY AND MUST NOT BE USED EXCEPT IN CONNECTION WITH OUR WORK ALL RIGHTS OF DESIGN AND INVENTION ARE RESERVED THIS IS AN ELECTRONICALLY GENERATED DOCUMENT - DO NOT SCALE THIS PRINT				RFP		CAD FILE	EE9057BA-LE	SIZE	A	DRAWING NO.	EE9057BA-LE	PAGE	OF	REV.
				DIST	WP									



**1051 CHEYENNE AVE.
GRAFTON, WI 53024
PH. 262-377-8810**

CERTIFICATION DATA SHEET

CONN. DIAGRAM: A-EE9057BA-LE

CATALOG #: 103711.00

OUTLINE: A-SS403994LE-600

MOUNTING: F1 ONLY

WINDING #: PE484274 3

TYPICAL MOTOR PERFORMANCE DATA

HP	kW	SYNC. RPM	F.L. RPM	FRAME	ENCLOSURE	KVA CODE	DESIGN
1/4	0.19	1800	1625	48Y	TENV	F	N

PH	Hz	VOLTS	AMPS	START TYPE	DUTY	INSL	S.F.	AMB°C
1	60	115/230	3.6/1.8	ACROSS THE LINE	CONTINUOUS	B3	1.0	40

FULL LOAD EFF:	68	3/4 LOAD EFF:	62.9	1/2 LOAD EFF:	53	GTD. EFF		ELEC. TYPE	
FULL LOAD PF:	87.5	3/4 LOAD PF:	84	1/2 LOAD PF:	78.5	64		PSC 1 SPEED	

F.L. TORQUE	LOCKED ROTOR AMPS	L.R. TORQUE	B.D. TORQUE	F.L. RISE°C
12.25 OZ-FT	12.6 / 6.3	8.5 OZ-FT 0 %	31.9 OZ-FT 0 %	76

SOUND PRESSURE @ 3 FT.	SOUND POWER	ROTOR WK^2	MAX. WK^2	SAFE STALL TIME	STARTS / HOUR	APPROX. MOTOR WGT
- dBA	- dBA	0 LB-FT^2	- LB-FT^2	- SEC.	-	22 LBS.

***** SUPPLEMENTAL INFORMATION *****

DE BRACKET TYPE	ODE BRACKET TYPE	MOUNT TYPE	ORIENTATION	SEVERE DUTY	HAZARDOUS LOCATION	DRIP COVER	SCREENS	PAINT
STANDARD	STANDARD	ROUND-SWING ARM	HORIZONTAL	FALSE	NONE	FALSE	NONE	BLUE - LEESON (ENAMEL)

BEARINGS		GREASE	SHAFT TYPE	SPECIAL DE	SPECIAL ODE	SHAFT MATERIAL	FRAME MATERIAL
DE	ODE						
BALL	BALL	MULTEMP SRL	SGL SPL EXT	0,500 x 2.50 IN SEF WITH 2.25 IN DOUBLE FULL FLAT	NONE	1144 STRESSPROOF (C-223)	ROLLED STEEL
6203	6203						

THERMO-PROTECTORS				THERMISTORS	CONTROL	SPACE HEATERS
THERMOSTATS	PROTECTORS	WDG RTDs	BRG RTDs			
NONE	AUT LCK RTR ONLY	NONE	NONE	NONE	FALSE	NONE VOLTS

*
N
O
T
E

INVERTER TORQUE: NONE
INV. HP SPEED RANGE: NONE
ENCODER: NONE
NONE NONE
NONE NONE PPR
BRAKE: NONE NONE
NONE P/N NONE
NONE NONE
NONE FT-LB NONE V NONE Hz

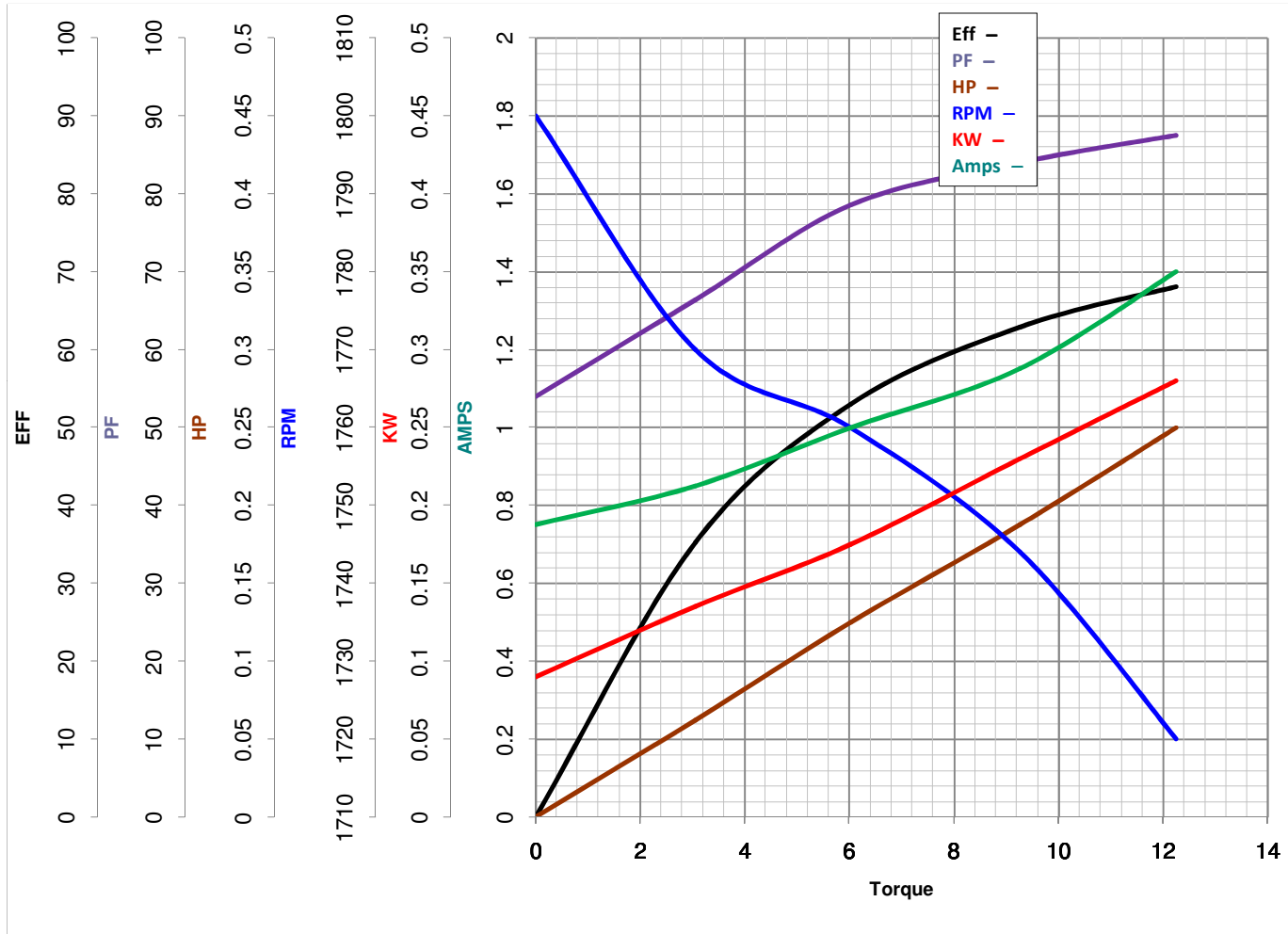


LEESON ELECTRIC CORPORATION
TYPICAL PERFORMANCE CURVE for AC MOTOR

Model No 103711.00

Catalog No 103711.00

Curve at 230 Volts HP 0.26 PHASE 1
60 HZ
0.25 HP VOLTS 115/230
HZ 60 RPM 1625



Torque in Oz.Ft

FL TORQUE 12.25 Oz.Ft
 BD TORQUE 31.9 Oz.Ft
 LR TORQUE 8.5 Oz.Ft

FL AMPS 3.6/1.8
 PU TORQUE 7.5 Oz.Ft
 LR AMPS 6.3

WINDING PE484274-3

Date 4/11/2018