

PRODUCT INFORMATION PACKET



Model No: E110390.00
Catalog No: E110390.00
2 HP General Purpose Motor, 1 phase, 3600 RPM, 115/230 V, 56C Frame, ODP
General Purpose Motors



Regal and Leeson are trademarks of Regal Rexnord Corporation or one of its affiliated companies.
©2021 Regal Rexnord Corporation, All Rights Reserved. MC017097E



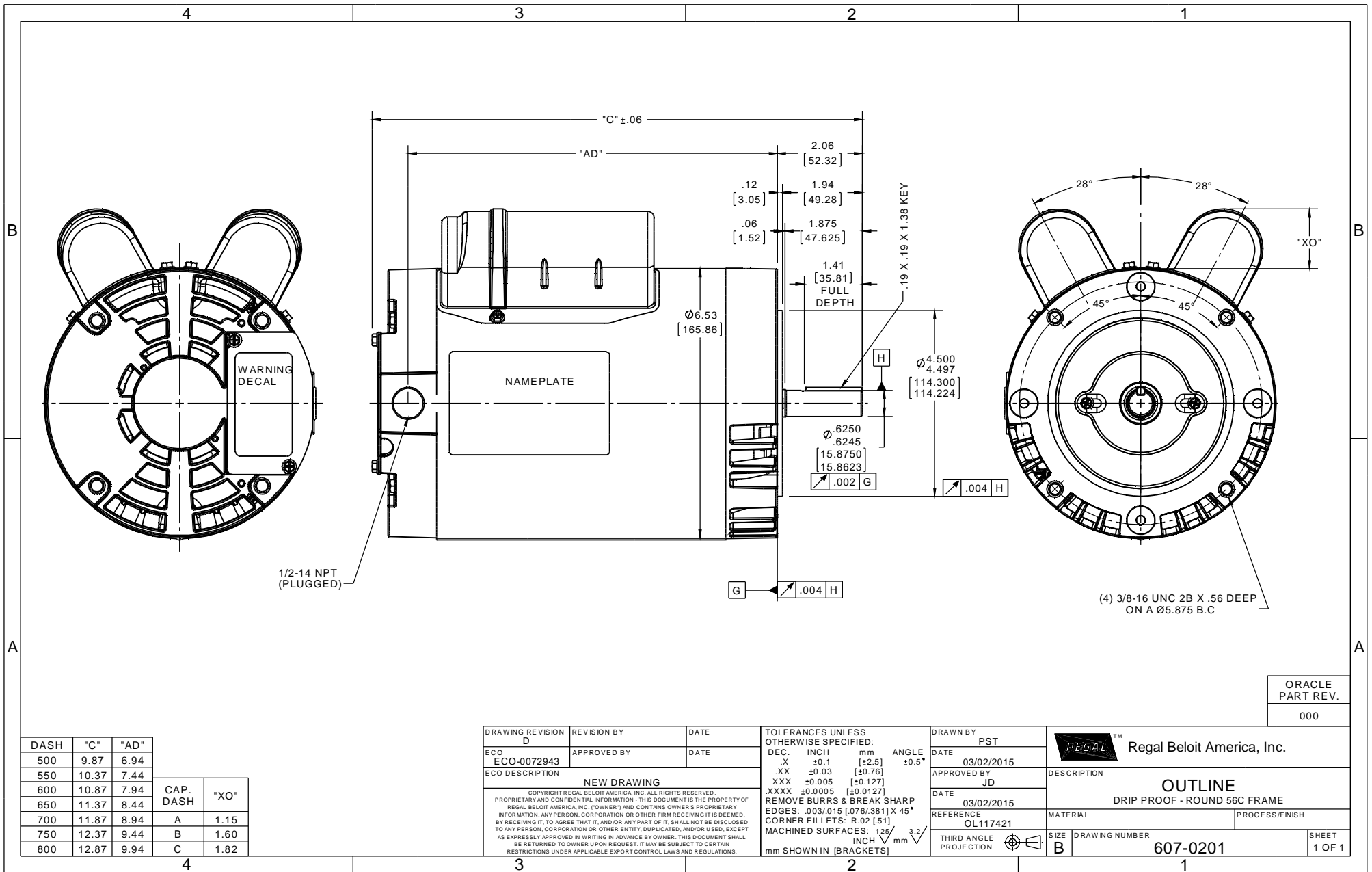


Nameplate Specifications

Output HP	2 Hp	Output KW	1.5 kW
Frequency	60 Hz	Voltage	115/230 V
Current	16.0/8.0 A	Speed	3450 rpm
Service Factor	1.15	Phase	1
Efficiency	82.9 %	Power Factor	99.3
Duty	Continuous	Insulation Class	F
Design Code	L	KVA Code	H
Frame	56C	Enclosure	Drip Proof
Thermal Protection	No	Ambient Temperature	40 °C
Drive End Bearing Size	6203	Opp Drive End Bearing Size	6203
UL	Recognized	CSA	Y
CE	Y	IP Code	22
Number of Speeds	1		

Technical Specifications

Electrical Type	Capacitor Start Capacitor Run	Starting Method	Across The Line
Poles	2	Rotation	Selective Counterclockwise
Resistance Main	1.24 Ohms	Mounting	Round
Motor Orientation	Horizontal	Drive End Bearing	Ball
Opp Drive End Bearing	Ball	Frame Material	Rolled Steel
Shaft Type	NEMA 56	Overall Length	11.87 in
Frame Length	7.00 in	Shaft Diameter	0.625 in
Shaft Extension	1.88 in	Assembly/Box Mounting	F1 ONLY
Outline Drawing	607-0201-700B	Connection Drawing	005054.01

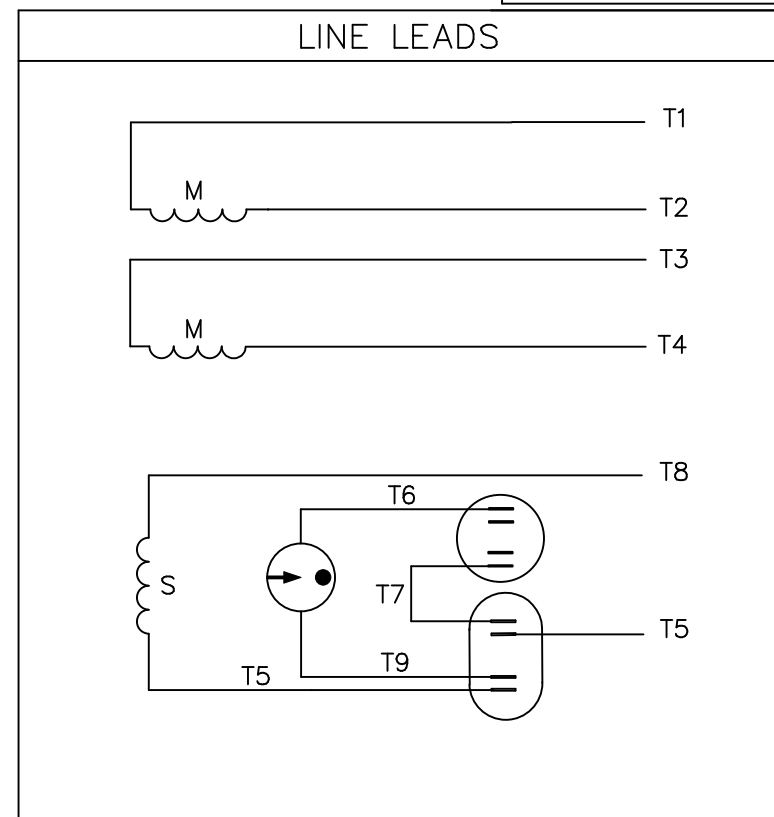
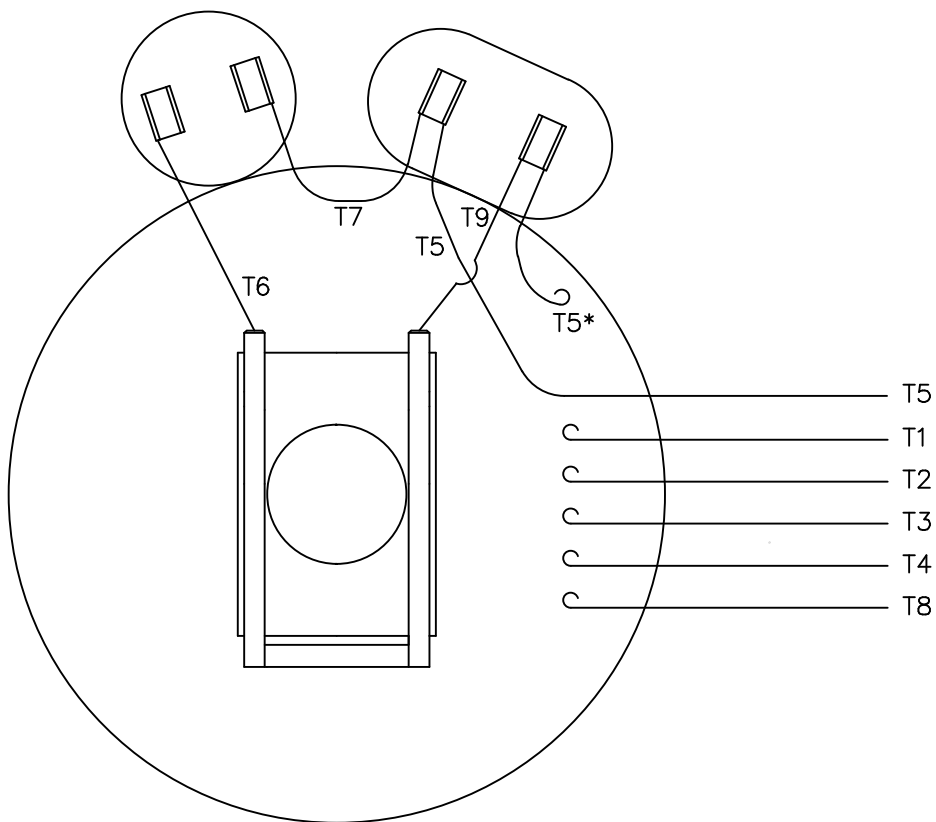


DASH	"C"	"AD"	CAP. DASH	"XO"
500	9.87	6.94		
550	10.37	7.44		
600	10.87	7.94		
650	11.37	8.44	A	1.15
700	11.87	8.94	B	1.60
750	12.37	9.44	C	1.82
800	12.87	9.94		

DRAWING REVISION	REVISION BY	DATE	TOLERANCES UNLESS OTHERWISE SPECIFIED:
D			DEC. INCH. mm ANGLE
ECO-0072943	APPROVED BY	DATE	.X ±0.1 [±2.5] ±0.5°
ECO DESCRIPTION			.XX ±0.03 [±0.76]
NEW DRAWING			XXX ±0.005 [±0.127]
<small>COPYRIGHT REGAL BELOIT AMERICA, INC. ALL RIGHTS RESERVED. PROPRIETARY AND CONFIDENTIAL INFORMATION. THIS DOCUMENT IS THE PROPERTY OF REGAL BELOIT AMERICA, INC. (OWNER) AND CONTAINS OWNER'S PROPRIETARY INFORMATION. ANY PERSON, CORPORATION OR OTHER FIRM RECEIVING IT IS DEEMED, BY RECEIVING IT, TO AGREE THAT IT, AND/OR ANY PART OF IT, SHALL NOT BE DISCLOSED TO ANY PERSON, CORPORATION OR OTHER ENTITY, DUPLICATED, AND/OR USED, EXCEPT AS EXPRESSLY APPROVED IN WRITING IN ADVANCE BY OWNER. THIS DOCUMENT SHALL BE RETURNED TO OWNER UPON REQUEST. IT MAY BE SUBJECT TO CERTAIN RESTRICTIONS UNDER APPLICABLE EXPORT CONTROL LAWS AND REGULATIONS.</small>			XXXX ±0.0005 [±0.0127] REMOVE BURRS & BREAK SHARP EDGES: .003/.015 [0.076/.381] X 45° CORNER FILLETS: R.02 [51] MACHINED SURFACES: 125 INCH mm 3.2 mm SHOWN IN [BRACKETS]


DRAWN BY	DATE	APPROVED BY	DATE	REFERENCE	THIRD ANGLE PROJECTION	SIZE	DRAWING NUMBER	SHEET
PST	03/02/2015	JD	03/02/2015	OL117421	ASME Y14.5	B	607-0201	1 OF 1
ORACLE PART REV. 000		REGAL™ Regal Beloit America, Inc.		OUTLINE DRIP PROOF - ROUND 56C FRAME		PROCESS/FINISH		

VIEW FROM OUTSIDE OF MOTOR AT SWITCH END.



	ROTATION FACING LEAD END	L1	L2	JOIN
HIGH VOLT	C.C.W.	T1	T4 T5	T2,T3 T8
	C.W.	T1	T4 T8	T2,T3 T5
LOW VOLT	C.C.W.	T1 T3,T8	T2,T4 T5	
	C.W.	T1,T3 T5	T2,T4 T8	

* THIS LEAD MAY BE WHITE

				TOLERANCES UNLESS SPECIFIED		 ELECTRIC MOTORS GEARMOTORS AND DRIVES	DRAWN JRW 09/27/74			
				DEC.	INCHES		CHK TEM			
				.X	±.1		APPD	10/11/74		
11	ALTERNATE T5 LEAD MARKING WAS RED	RLW	8/6/02	.XX	±.01	TITLE EXT. WIRING DIAGRAM TYPE "K" W/O PROTECTOR MAT'L. DECAL-004012 FINISH	SCALE	1=1		
10	ADDED ALTERNATE T5 LEAD MARKING	RLW	6/5/02	KH	.XXX ±.005		REF	A-005053		
09	REDRAWN TO CAD	DBT	05/28/97		.XXXX ±.0005		FMF	W-K6343		
NO.	REVISION	BY & DATE	CHK	ANG	±1/2"		PREV			
THIS DRAWING IN DESIGN AND DETAIL IS OUR PROPERTY AND MUST NOT BE USED EXCEPT IN CONNECTION WITH OUR WORK ALL RIGHTS OF DESIGN AND INVENTION ARE RESERVED THIS IS AN ELECTRONICALLY GENERATED DOCUMENT - DO NOT SCALE THIS PRINT				RFP		CAD FILE	00505401	SIZE	DRAWING NO.	REV.
				DIST	BRF-NLV			A	005054-01	11



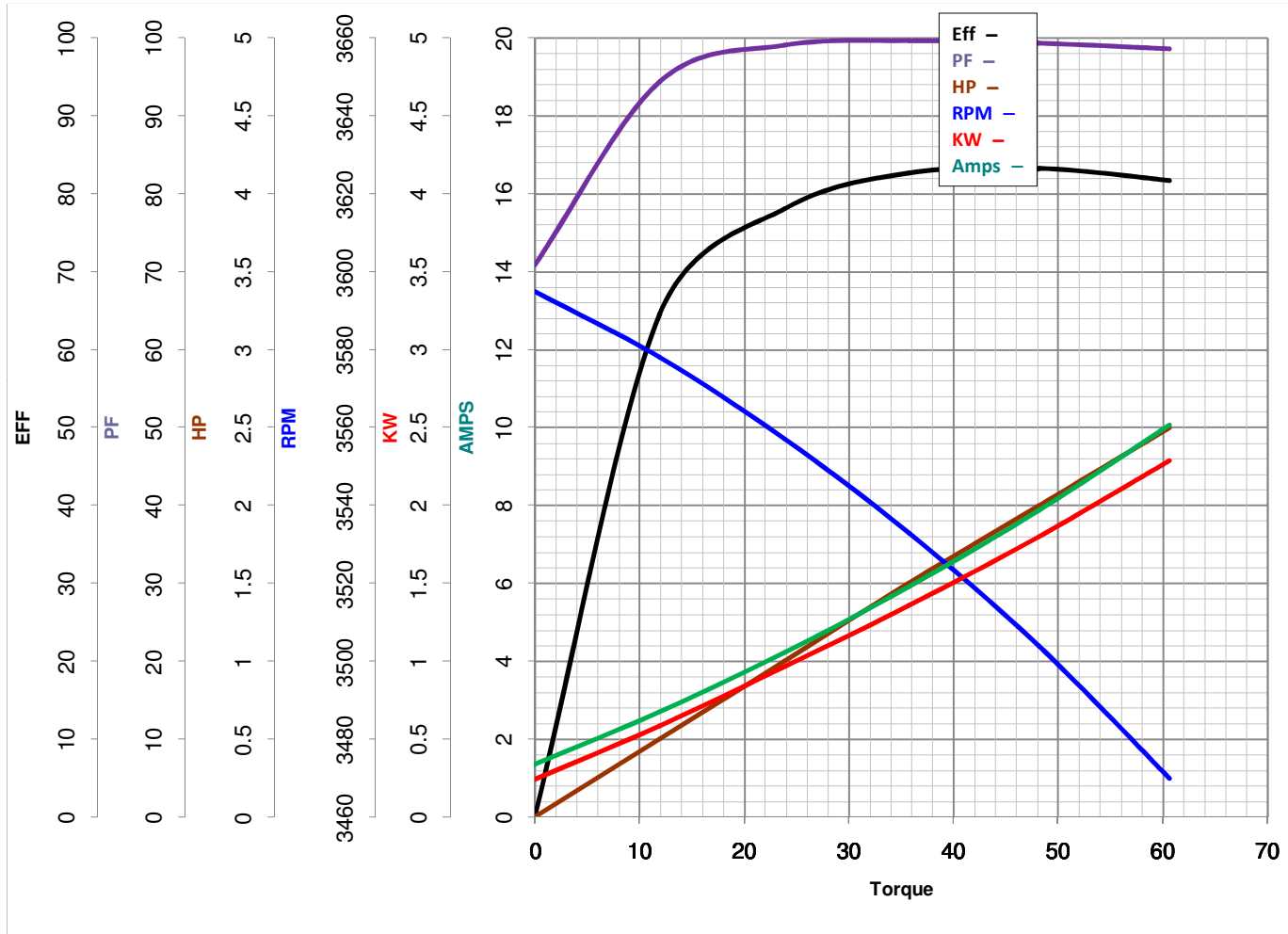
LEESON ELECTRIC CORPORATION
 TYPICAL PERFORMANCE CURVE for AC MOTOR

Model No E110390.00

Curve at 230 Volts HP 2.00 PHASE 1
60 HZ
2 HP VOLTS 115/230

Catalog No E110390.00

HZ 60 RPM 3450



Torque in Lb.Ft

FL TORQUE 3.009 Lb.Ft
 BD TORQUE 6.6 Lb.Ft
 LR TORQUE 6.811 Lb.Ft

FL AMPS 16/8
 PU TORQUE 5.8 Lb.Ft
 LR AMPS 57.6

WINDING K632186-3

Date 3/26/2018