

# PRODUCT INFORMATION PACKET



Model No: 110109.00

Catalog No: 110109.00

General Purpose Motor, 1.50 HP, 1 Ph, 60 Hz, 115/230 V, 3600 RPM, 56 Frame, TEFC

**Operational at 115/208-230 V @60HZ**



Regal and Leeson are trademarks of Regal Rexnord Corporation or one of its affiliated companies.

©2023 Regal Rexnord Corporation, All Rights Reserved. MC017097E





**Nameplate Specifications**

Phase	1	Output HP	1.50 Hp
Output KW	1.1 kW	Voltage	115/230 V
Speed	3450 rpm	Service Factor	1.0
Frame	56	Enclosure	Totally Enclosed Fan Cooled
Thermal Protection	Manual	Efficiency	72 %
Ambient Temperature	40 °C	Frequency	60 Hz
Current	17.0/8.5 A	Power Factor	80
Duty	Continuous	Insulation Class	B
Design Code	L	KVA Code	H
Drive End Bearing Size	6203	Opp Drive End Bearing Size	6203
UL	Recognized	CSA	Y
CE	N	IP Code	54
Number of Speeds	1		

**Technical Specifications**

Electrical Type	Capacitor Start Induction Run	Starting Method	Across The Line
Poles	2	Rotation	Selective Counterclockwise
Resistance Main	1.32 Ohms	Mounting	Rigid Base
Motor Orientation	Horizontal	Drive End Bearing	Ball
Opp Drive End Bearing	Ball	Frame Material	Rolled Steel
Shaft Type	NEMA 56	Overall Length	12.48 in
Frame Length	7.00 in	Shaft Diameter	0.625 in
Shaft Extension	1.88 in	Assembly/Box Mounting	F1 ONLY
Connection Drawing	005003.03	Outline Drawing	028793-700B

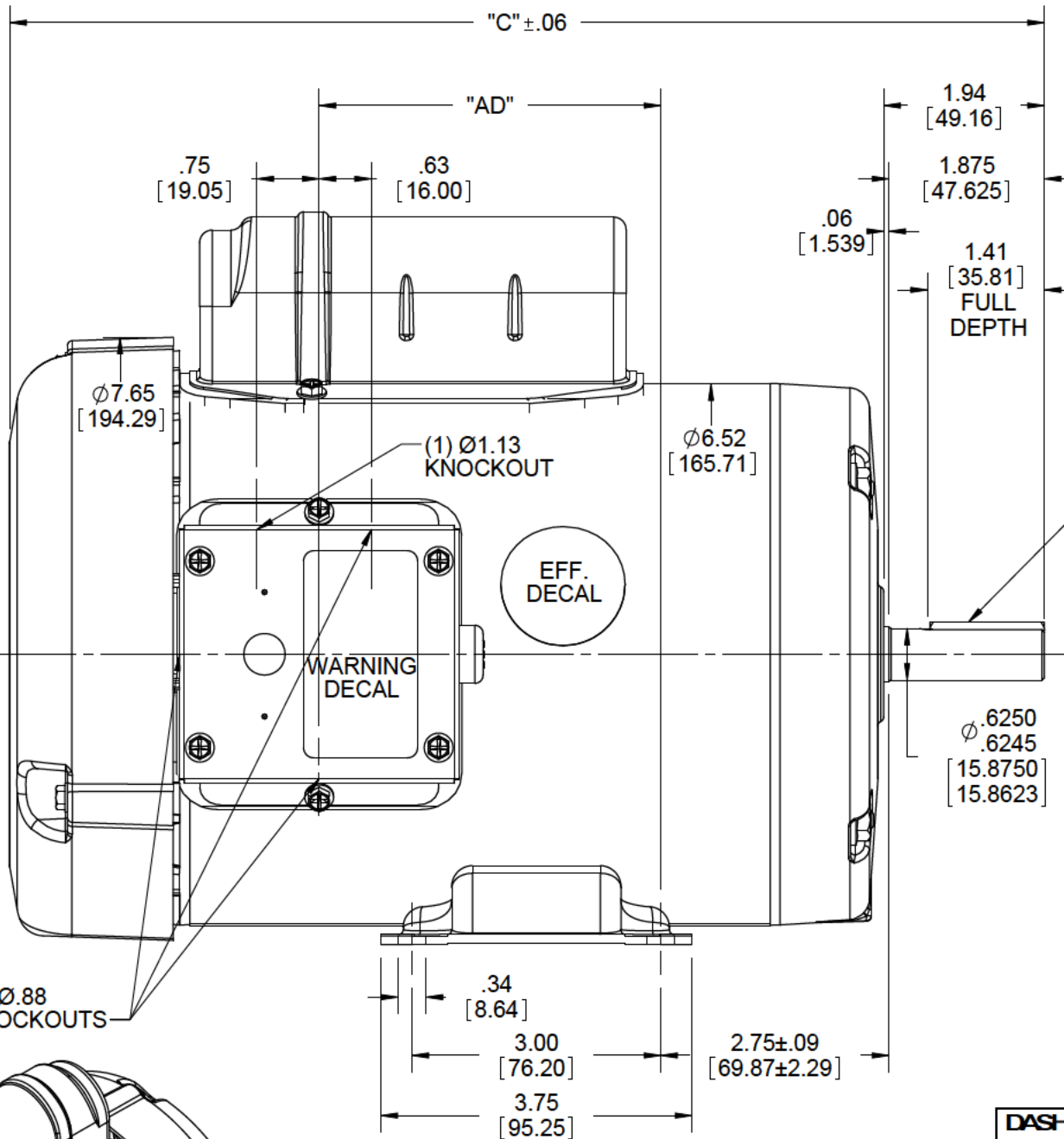
4

3

Uncontrolled Copy

2

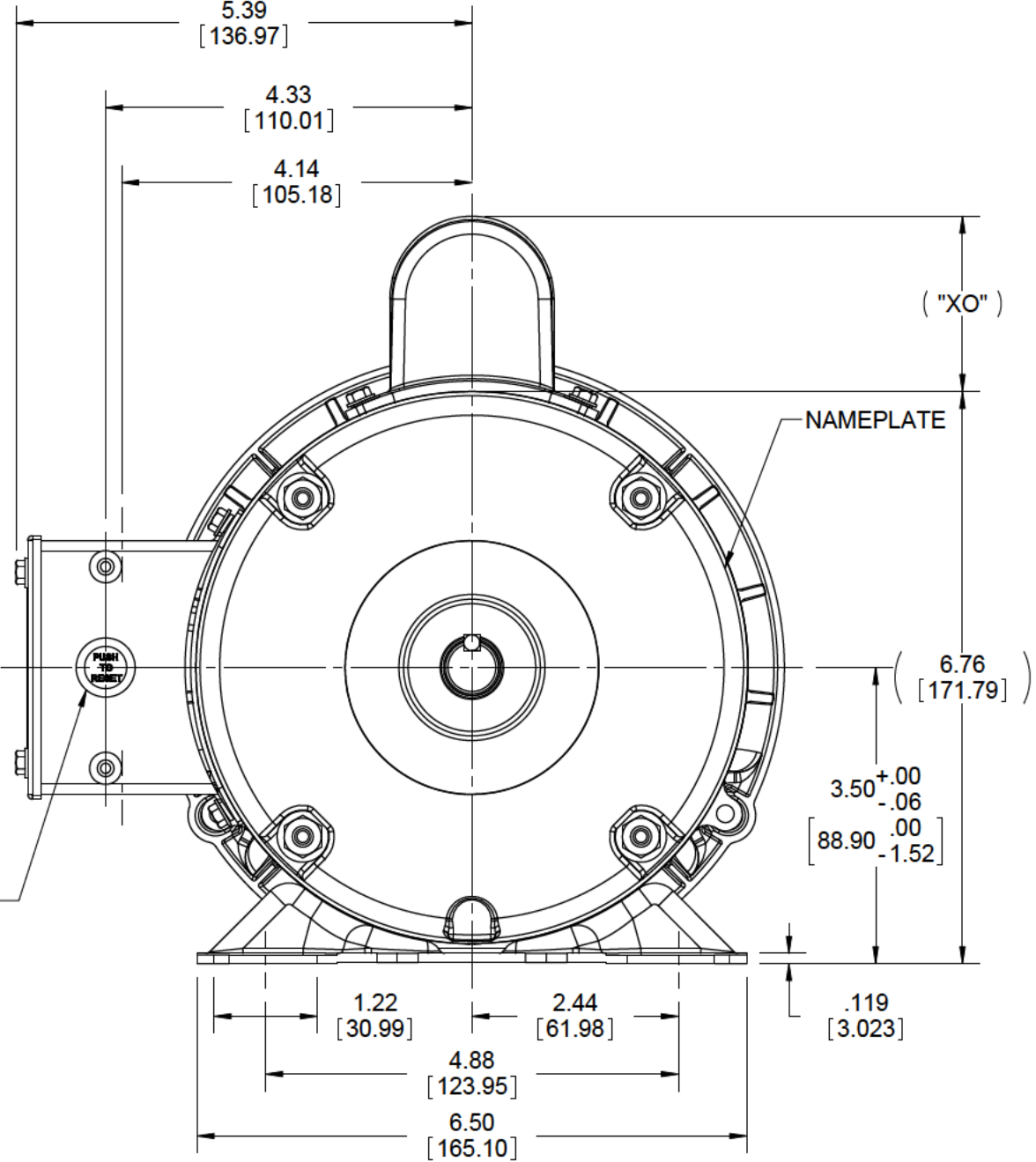
1



.19 SQ. x 1.38 KEY

MANUAL OVERLOAD WITH BUTTON COVER

Ø.6250  
Ø.6245  
[15.8750]  
[15.8623]

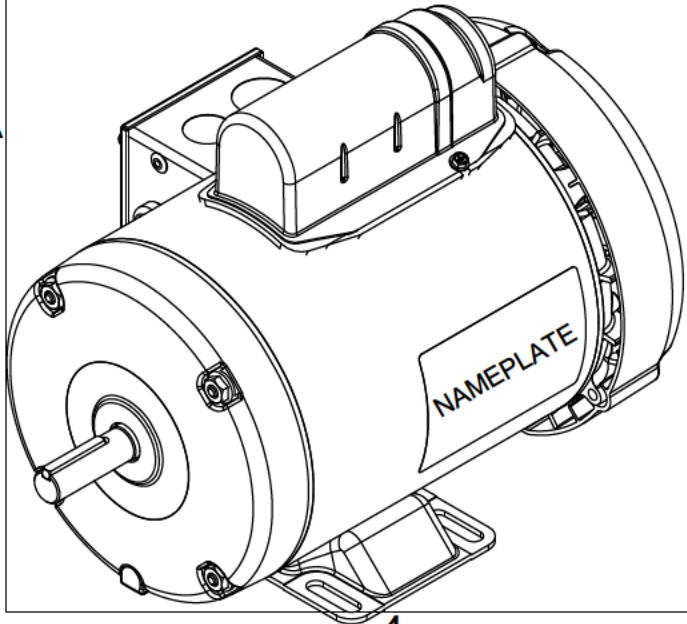


B

B

A

A



DASH NO.	"C"	"AD"		
500	10.48	2.13	CAP	"XO"
550	10.98	2.63	DASH	
600	11.48	3.13	A	1.61
650	11.98	3.63	B	2.08
700	12.48	4.13	C	2.32

NOTES:  
1) GASKETS THROUGHOUT

ORACLE REV 02

DRAWING REVISION D  
ECO ECO-0056788  
ECO DESCRIPTION  
ADDED T-BOLT NUTS  
COPYRIGHT REGAL BELOIT AMERICA, INC. ALL RIGHTS RESERVED. PROPRIETARY AND CONFIDENTIAL INFORMATION - THIS DOCUMENT IS THE PROPERTY OF REGAL BELOIT AMERICA, INC. ("OWNER") AND CONTAINS OWNER'S PROPRIETARY INFORMATION. ANY PERSON, CORPORATION OR OTHER FIRM RECEIVING IT IS DEEMED, BY RECEIVING IT, TO AGREE THAT IT, AND/OR ANY PART OF IT, SHALL NOT BE DISCLOSED TO ANY PERSON, CORPORATION OR OTHER ENTITY, DUPLICATED, AND/OR USED, EXCEPT AS EXPRESSLY APPROVED IN WRITING IN ADVANCE BY OWNER. THIS DOCUMENT SHALL BE RETURNED TO OWNER UPON REQUEST. IT MAY BE SUBJECT TO CERTAIN RESTRICTIONS UNDER APPLICABLE EXPORT CONTROL LAWS AND REGULATIONS.

REVISION BY M. MCCALED  
APPROVED BY G. SCHALLOCK  
DATE 8/4/14  
DATE 8/4/14  
TOLERANCES UNLESS OTHERWISE SPECIFIED:  
DEC. INCH mm ANGLE  
X ±0.1 [±2.5]  
.XX ±0.03 [±0.76]  
XXX ±0.005 [±0.127]  
XXXX ±0.0005 [±0.0127]  
REMOVE BURRS & BREAK SHARP  
EDGES: .003/.015 [0.076/.381]  
CORNER FILLETS: .02 [51]  
MACHINED SURFACES: 125 INCH 3.2 mm  
mm SHOWN IN [BRACKETS]

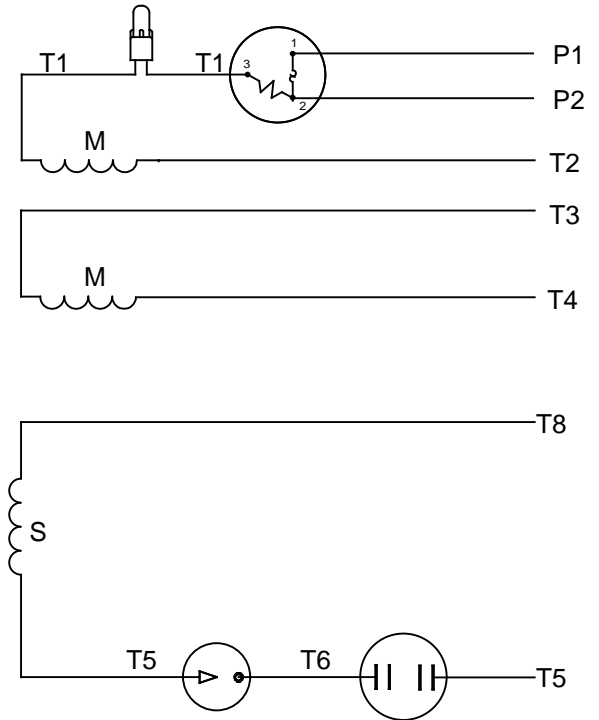
DRAWN BY KMM 09/11/07  
DATE  
APPROVED BY  
DATE  
REFERENCE  
THIRD ANGLE PROJECTION

REGAL™ Regal Beloit America, Inc.  
DESCRIPTION  
**OUTLINE**  
TEFC - RIGID - 56 FRAME  
MATERIAL  
PROCESS/FINISH  
GENERAL PURPOSE  
SIZE B DRAWING NUMBER 028793 SHEET 1 OF 1

# VIEW FROM OUTSIDE OF MOTOR AT SWITCH END



# LINE LEADS



RBC PROPRIETARY AND CONFIDENTIAL INFORMATION  
 This document is the property of REGAL BELOIT CORPORATION ("RBC") including its subsidiaries and divisions and contains proprietary information of RBC. This document is loaned on the express condition that neither it nor the information contained therein shall be disclosed to others without the express written consent of RBC, and that the information shall be used by the recipient only as approved expressly by RBC. This document shall be returned to RBC upon its request. This document may be subject to certain restrictions under U.S. export control laws and regulations.

	ROTATION FACING LEAD END	L1	L2	JOIN	INSULATE SEPARATELY
HIGH VOLT	C.C.W.	P1	T4 T5	T2,T3 T8	P2
	C.W.	P1	T4 T8	T2,T3 T5	P2
LOW VOLT	C.C.W.	P1	T2,T4 T5	P2,T3 T8	---
	C.W.	P1	T2,T4 T8	P2,T3 T5	---

		TOLERANCES UNLESS SPECIFIED		LEESON	ELECTRIC MOTORS GEARMOTORS AND DRIVES	DRAWN	
NO	REVISION	DEC	INCHES			WLV	08/20/79
		.X	±.1			CHK	ADN 08/27/76
		.XX	±.01			APPR	WRK 08/27/76
06	REDRAWN IN SOLIDWORKS	VJB	7/22/2011	.XXX	±.005	TITLE	EXTERNAL WIRING DIAGRAM TYPE "C" W/PROTECTOR
05	REDRAWN ON CAD	DBT	05/27/97	.XXXX	±.0005	MAT'L	DECAL - 004011
		CHK	ANG	±1/2°	FINISH	SCALE	1:1
		RFP	PREV			REF	
		NETWORK FILE NAME	00500303			FMF	
						PAGE	OF
THIRD ANGLE PROJECTION				SIZE	DRAWING NO	REV	
				A	005003-03	06	



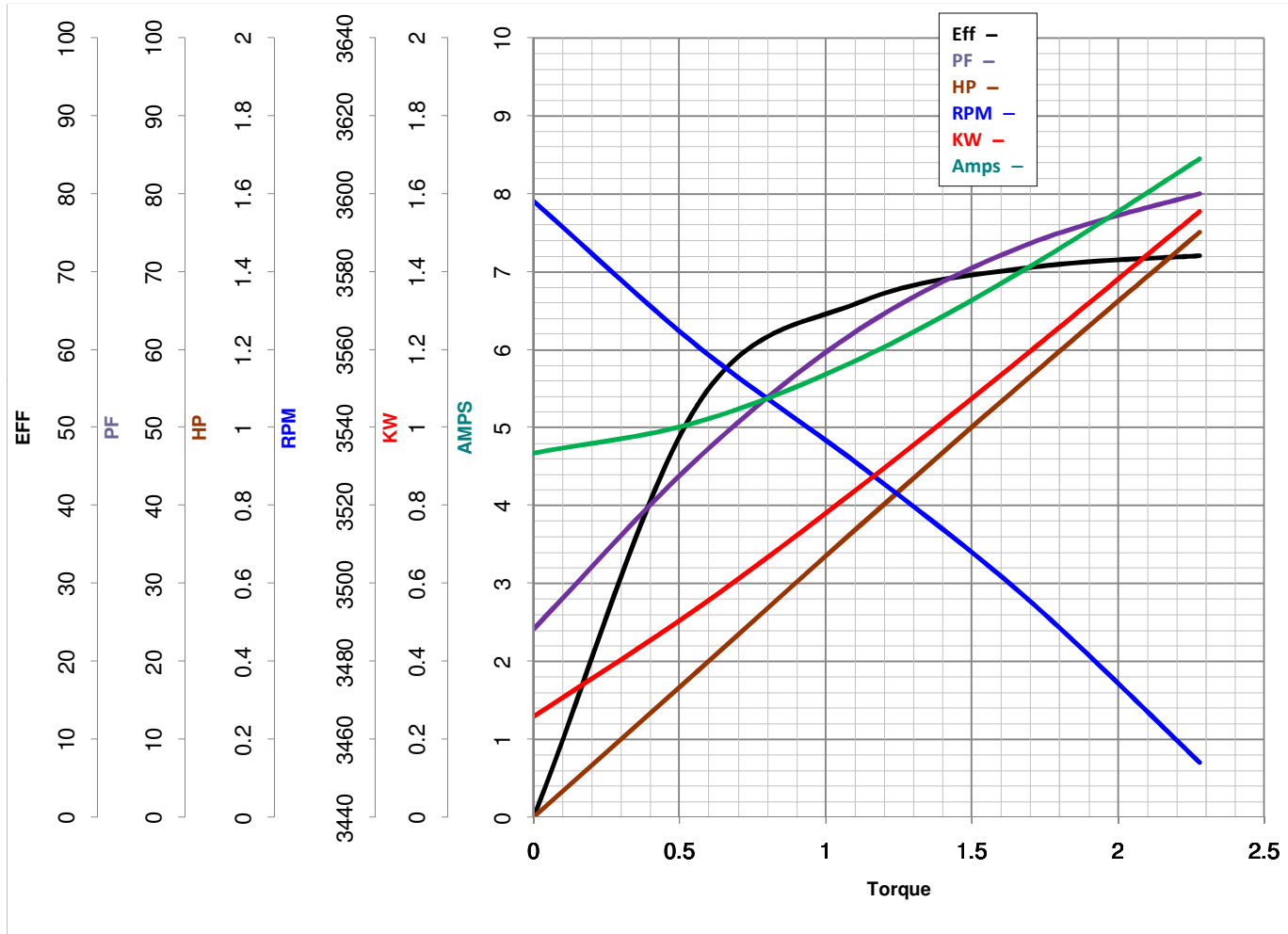
**LEESON ELECTRIC CORPORATION**  
 TYPICAL PERFORMANCE CURVE for AC MOTOR

Model No 110109.00

Curve at 230 Volts      HP 1.50      PHASE 1  
60 HZ  
1.5 HP      VOLTS 115/208-230

Catalog No 110109.00

HZ 60      RPM 3450



Torque in Lb.Ft

FL TORQUE 2.28 Lb.Ft  
 BD TORQUE 5.6 Lb.Ft  
 LR TORQUE 5.5 Lb.Ft

FL AMPS 17/9-8.5  
 PU TORQUE 5.3 Lb.Ft  
 LR AMPS 46

WINDING C632212-3

Date 3/23/2018