

# PRODUCT INFORMATION PACKET

Model No: 100803.00

Catalog No: 100803.00

Agricultural Motor, 0.25 HP, 1 Ph, 60 Hz, 115/230 V, 1800 RPM, 48 Frame, TENV



Regal and are trademarks of Regal Rexnord Corporation or one of its affiliated companies.  
©2022 Regal Rexnord Corporation, All Rights Reserved. MC017097E

### Nameplate Specifications

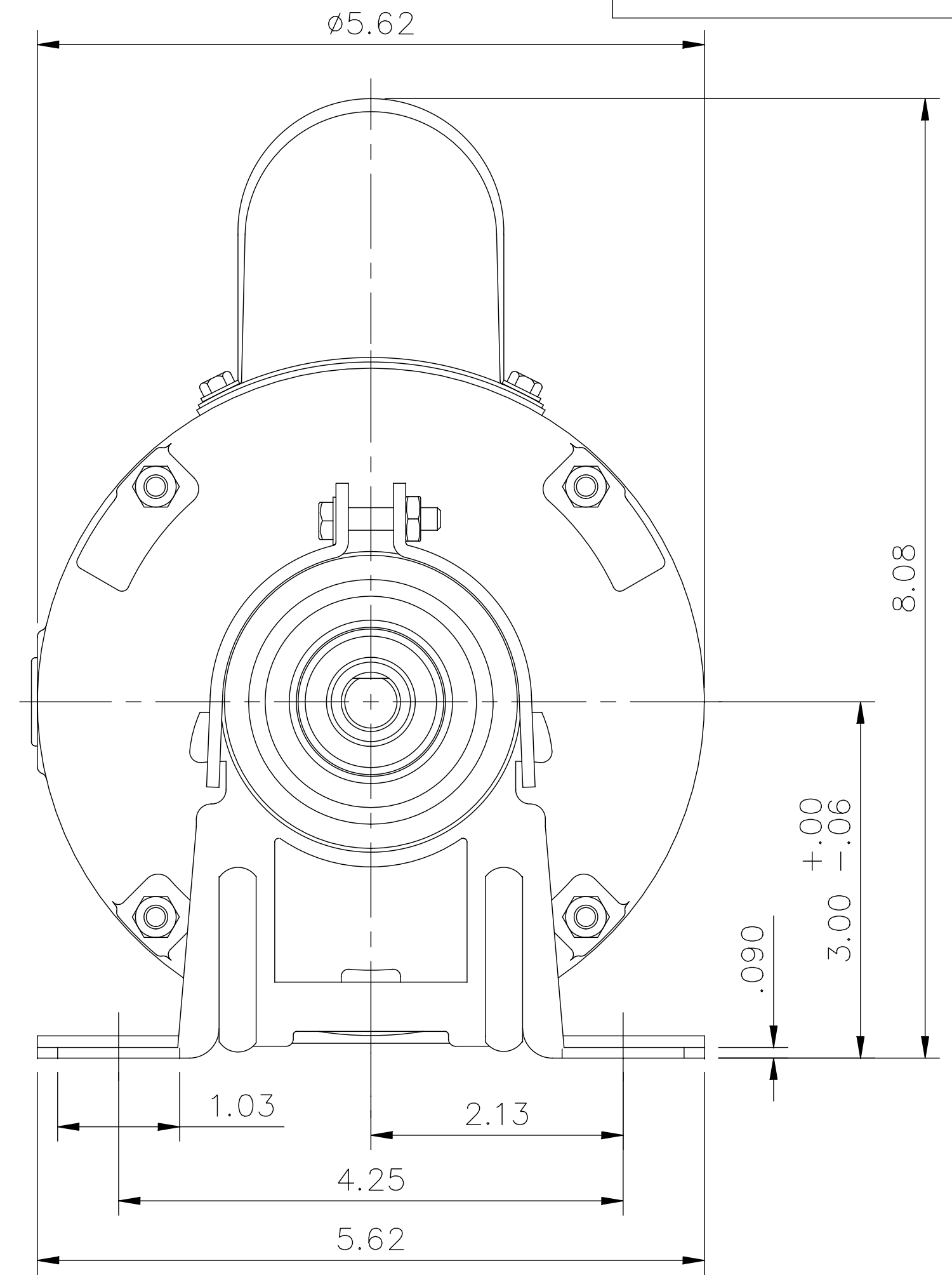
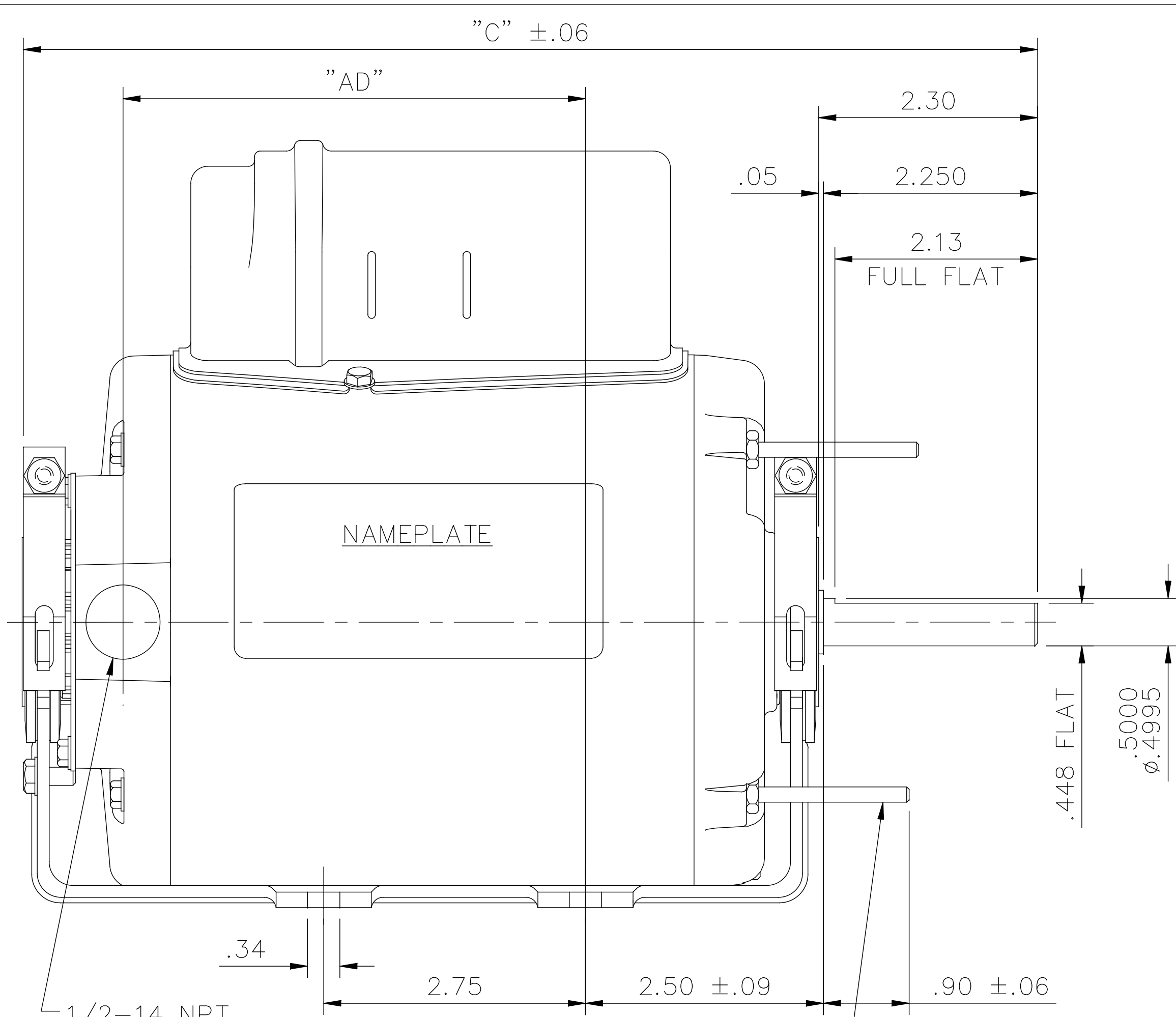
Output HP	0.25 Hp	Output KW	0.19 kW
Frequency	60 Hz	Voltage	115/230 V
Current	2.8/1.4 A	Speed	1625 rpm
Service Factor	1	Phase	1
Efficiency	70 %	Power Factor	87
Duty	Continuous	Insulation Class	B
Design Code	NO DESIGN CODE	KVA Code	D
Frame	48	Enclosure	Totally Enclosed Non Ventilated
Thermal Protection	Automatic	Ambient Temperature	40 °C
Drive End Bearing Size	6203	Opp Drive End Bearing Size	6203
UL	Recognized	CSA	Y
CE	N	IP Code	43
Number of Speeds	1		

### Technical Specifications

Electrical Type	Permanent Split Capacitor	Starting Method	Across The Line
Poles	4	Rotation	Selective Counterclockwise
Resistance Main	9.88 Ohms	Mounting	Resilient Base
Motor Orientation	Horizontal	Drive End Bearing	Ball
Opp Drive End Bearing	Ball	Frame Material	Rolled Steel
Shaft Type	NEMA 48	Overall Length	10.66 in
Frame Length	5.50 in	Shaft Diameter	0.500 in
Shaft Extension	2.25 in	Assembly/Box Mounting	F1 ONLY
Outline Drawing	031705-550	Connection Drawing	005109.15

This is an uncontrolled document once printed or downloaded and is subject to change without notice. Date Created:09/07/2022


031705



10-32 UNF 2A THRU BOLTS (4) REQ'D. ON A Ø5.125 B.C.

DASH NO.	"C"	"AD"
550	10.66	4.86
600	11.16	5.36
650	11.66	5.86
700	12.16	6.36


GASKETS THROUGHOUT

				TOLERANCES UNLESS SPECIFIED		 ELECTRIC MOTORS GEARMOTORS AND DRIVES	DRAWN PG 7/24/02		
				DEC.	INCHES		CHK		
				.X	±.1		APPD		
				.XX	±.03		SCALE 1=2		
				.XXX	±.005		REF 031079		
01	RESILENT SCREW REVERSED AS PER ECO-0102363	KK 5/17/16	KK	.XXXX	±.0005	MAT'L.	FMF 100804.00		
NO.	REVISION	BY & DATE	CHK	ANG	±1/2°	FINISH	PREV		
THIS DRAWING IN DESIGN AND DETAIL IS OUR PROPERTY AND MUST NOT BE USED EXCEPT IN CONNECTION WITH OUR WORK ALL RIGHTS OF DESIGN AND INVENTION ARE RESERVED THIS IS AN ELECTRONICALLY GENERATED DOCUMENT - DO NOT SCALE THIS PRINT				RFP	CAD FILE	031705	SIZE A	DRAWING NO. 031705	REV. 01
				DIST					

VIEW FROM OUTSIDE OF MOTOR AT SWITCH END.



	ROTATION FACING LEAD END	L1	L2	JOIN	INSULATE SEPARATELY
HIGH VOLT	C.C.W.	P1	T4 T5	T2, T3 T8	P2
	C.W.	P1	T4 T8	T2, T3 T5	P2
LOW VOLT	C.C.W.	P1	T2, T4 T5	P2, T3 T8	--
	C.W.	P1	T2, T4 T8	P2, T3 T5	--

		TOLERANCES UNLESS SPECIFIED		 ELECTRIC MOTORS GEARMOTORS AND DRIVES		DRAWN PG 3/4/02	
		DEC.	INCHES			CHK	
		.X	±.1			APPD	
		.XX	±.01			SCALE 1=1	
		.XXX	±.005			REF 005109-01	
		.XXXX	±.0005	MAT'L. DECAL - 004011		FMF 102675	
NO.	REVISION	BY & DATE	CHK	ANG	±1/2'	FINISH	PREV
THIS DRAWING IN DESIGN AND DETAIL IS OUR PROPERTY AND MUST NOT BE USED EXCEPT IN CONNECTION WITH OUR WORK ALL RIGHTS OF DESIGN AND INVENTION ARE RESERVED THIS IS AN ELECTRONICALLY GENERATED DOCUMENT - DO NOT SCALE THIS PRINT			RFP	CAD FILE 00510915		SIZE	DRAWING NO.
			DIST			A	005109-15
							REV.



1051 CHEYENNE AVE.  
GRAFTON, WI 53024  
PH. 262-377-8810

**CERTIFICATION DATA SHEET**

**CONN. DIAGRAM:** 005109.15  
**OUTLINE:** 031705-550  
**WINDING #:** PE484448 3 C

**CATALOG #:** 100803.00  
**MOUNTING:** F1 ONLY

**TYPICAL MOTOR PERFORMANCE DATA**

HP	kW	SYNC. RPM	F.L. RPM	FRAME	ENCLOSURE	KVA CODE	DESIGN
1/4	0.19	1800	1625	48	TENV	D	NO DESIGN CODE

PH	Hz	VOLTS	AMPS	START TYPE	DUTY	INSL	S.F.	AMB°C
1	60	115/230	2.8/1.4	ACROSS THE LINE	CONTINUOUS	B3	1.0	40

FULL LOAD EFF:	70	3/4 LOAD EFF:	67.2	1/2 LOAD EFF:	58.1	GTD. EFF	ELEC. TYPE
FULL LOAD PF:	87	3/4 LOAD PF:	83	1/2 LOAD PF:	76	66	PSC 1 SPEED

F.L. TORQUE	LOCKED ROTOR AMPS	L.R. TORQUE	B.D. TORQUE	F.L. RISE°C
12.56 OZ-FT	10 / 5	8 OZ-FT 67 %	27 OZ-FT 225 %	65

SOUND PRESSURE @ 3 FT.	SOUND POWER	ROTOR WK^2	MAX. WK^2	SAFE STALL TIME	STARTS / HOUR	APPROX. MOTOR WGT
0 dBA	10 dBA	-1 LB-FT^2	0 LB-FT^2	0 SEC.	0	22 LBS.

**\*\*\* SUPPLEMENTAL INFORMATION \*\*\***

DE BRACKET TYPE	ODE BRACKET TYPE	MOUNT TYPE	ORIENTATION	SEVERE DUTY	HAZARDOUS LOCATION	DRIP COVER	SCREENS	PAINT
STANDARD	STANDARD	RESILIENT BASE	HORIZONTAL	FALSE	NONE	FALSE	NONE	GRAY - LIGHT

BEARINGS		GREASE	SHAFT TYPE	SPECIAL DE	SPECIAL ODE	SHAFT MATERIAL	FRAME MATERIAL
DE	ODE						
BALL	BALL	MULTEMP SRL	T	NONE	NONE	1144 STRESSPROOF (C-223)	ROLLED STEEL
6203	6203						

THERMO-PROTECTORS				THERMISTORS	CONTROL	SPACE HEATERS
THERMOSTATS	PROTECTORS	WDG RTDs	BRG RTDs			
NONE	AUTOMATIC	NONE	NONE	NONE	FALSE	NONE VOLTS

\*  
N  
O  
T  
E  
S

<b>INVERTER TORQUE:</b> NONE
<b>INV. HP SPEED RANGE:</b> NONE
<b>ENCODER:</b> NONE NONE NONE NONE NONE PPR
<b>BRAKE:</b> NONE NONE NONE P/N NONE NONE NONE NONE FT-LB NONE V NONE Hz

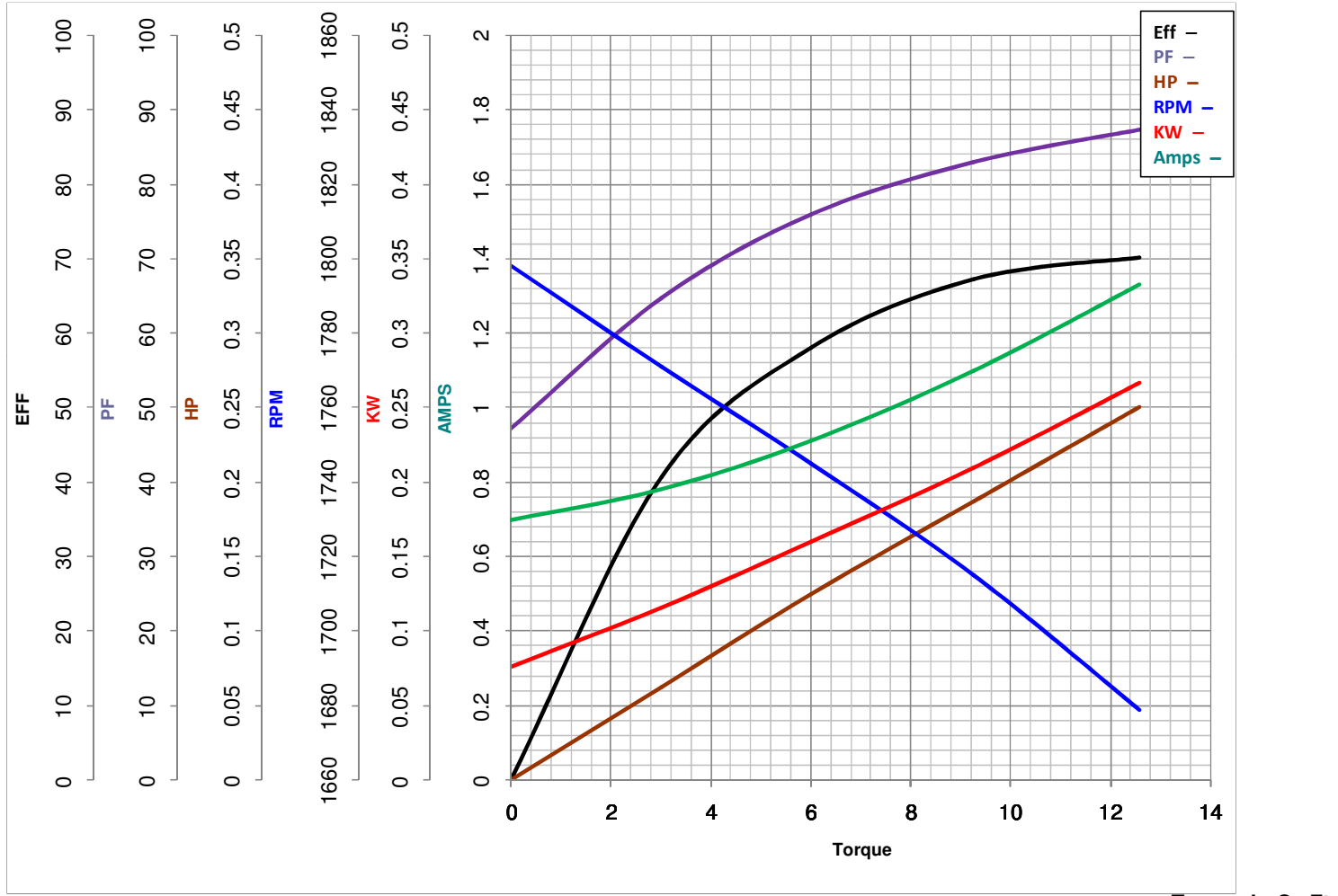


**LEESON ELECTRIC CORPORATION**  
TYPICAL PERFORMANCE CURVE for AC MOTOR

Model No 100803.00

Catalog No 100803.00

Curve at 230 Volts      HP 0.25      PHASE 1  
60 HZ  
0.25 HP      VOLTS 115/230  
HZ 60      RPM 1625



Torque in Oz.Ft

FL TORQUE 12.56 Oz.Ft  
 BD TORQUE 27.0 Oz.Ft  
 LR TORQUE 8 Oz.Ft

FL AMPS 2.8/1.4  
 PU TORQUE 7.5 Oz.Ft  
 LR AMPS 5

WINDING PE484448-3

Date 3/28/2018