

PRODUCT INFORMATION PACKET



Model No: 100026.00

Catalog No: 100026.00

0.75 HP General Purpose Motor, 1 phase, 1800 RPM, 115/208-230 V, 56C Frame, ODP
General Purpose Motors



Regal and Leeson are trademarks of Regal Rexnord Corporation or one of its affiliated companies.
©2021 Regal Rexnord Corporation, All Rights Reserved. MC017097E





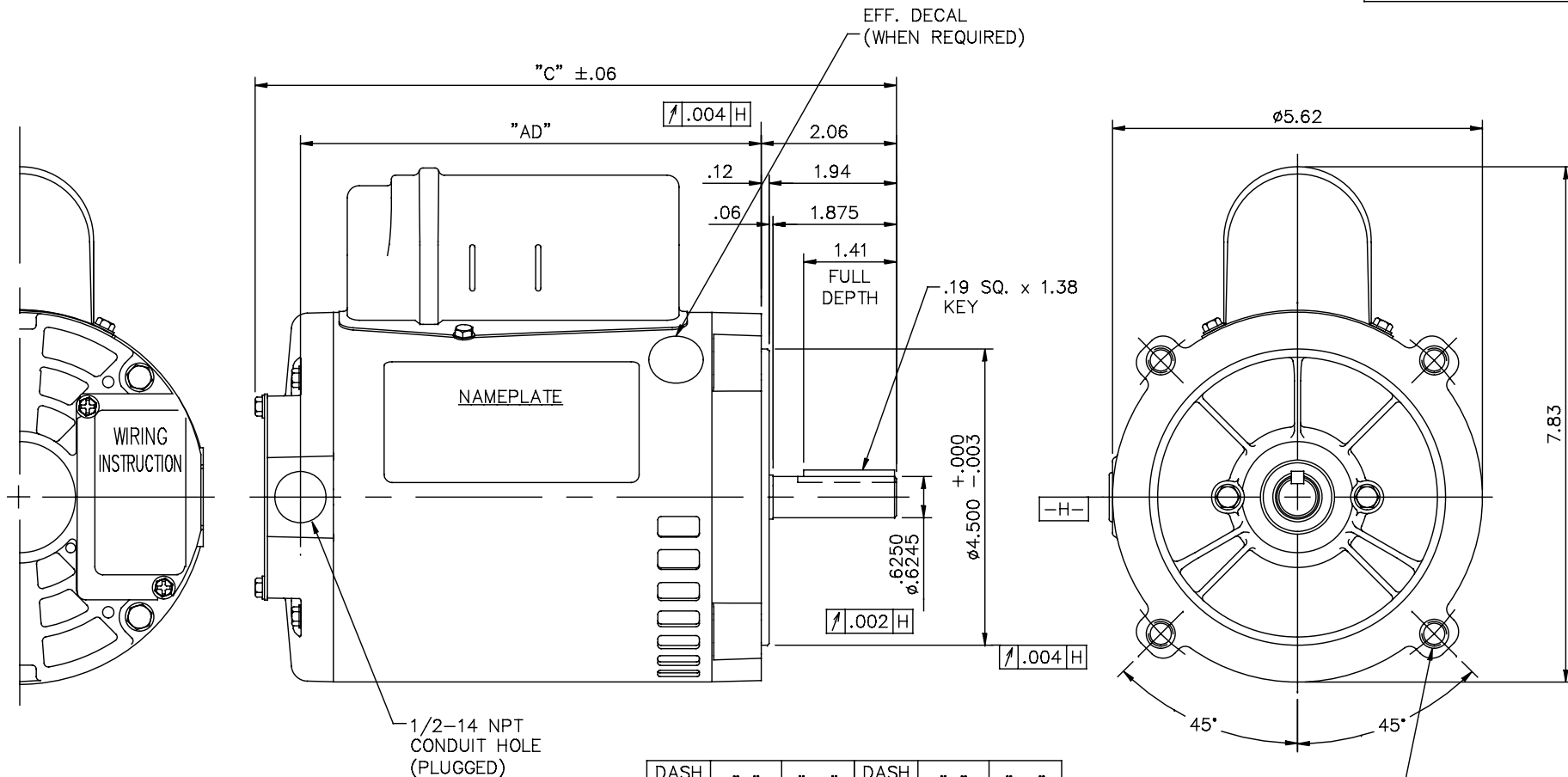
Nameplate Specifications

Output HP	0.75 Hp	Output KW	0.56 kW
Frequency	60 Hz	Voltage	115/208-230 V
Current	10.8/5.3-5.4 A	Speed	1725 rpm
Service Factor	1.25	Phase	1
Efficiency	70 %	Power Factor	64
Duty	Continuous	Insulation Class	B
Design Code	N	KVA Code	K
Frame	S56C	Enclosure	Drip Proof
Thermal Protection	No	Ambient Temperature	40 °C
Drive End Bearing Size	6203	Opp Drive End Bearing Size	6203
UL	Recognized	CSA	Y
CE	N	IP Code	22
Number of Speeds	1		

Technical Specifications

Electrical Type	Capacitor Start Induction Run	Starting Method	Across The Line
Poles	4	Rotation	Selective Counterclockwise
Resistance Main	2.82 Ohms	Mounting	Round
Motor Orientation	Horizontal	Drive End Bearing	Ball
Opp Drive End Bearing	Ball	Frame Material	Rolled Steel
Shaft Type	NEMA 56	Overall Length	10.99 in
Frame Length	7.00 in	Shaft Diameter	0.625 in
Shaft Extension	1.88 in	Assembly/Box Mounting	F1 Only
Connection Drawing	005005.44	Outline Drawing	031643-700

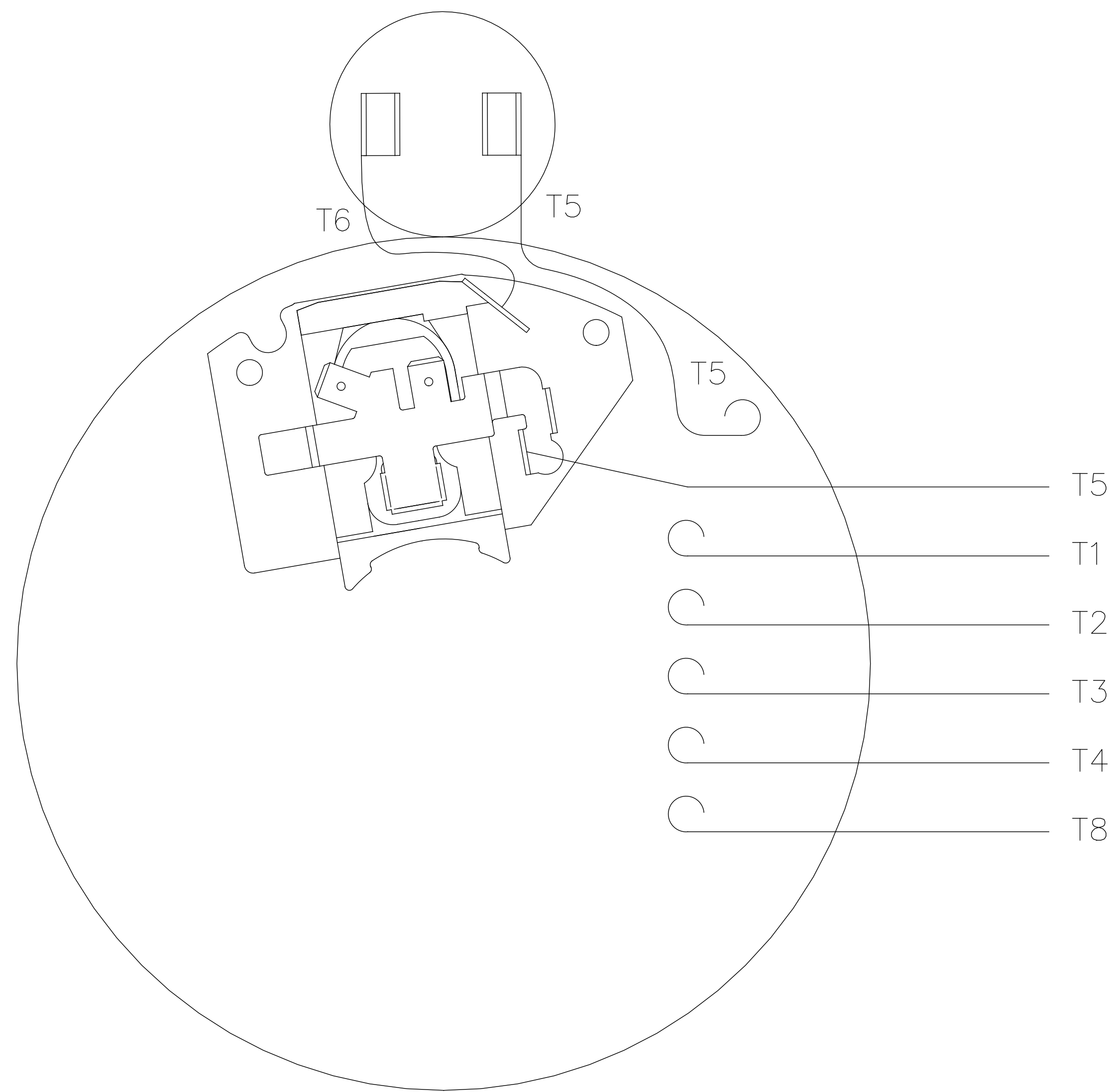
031643



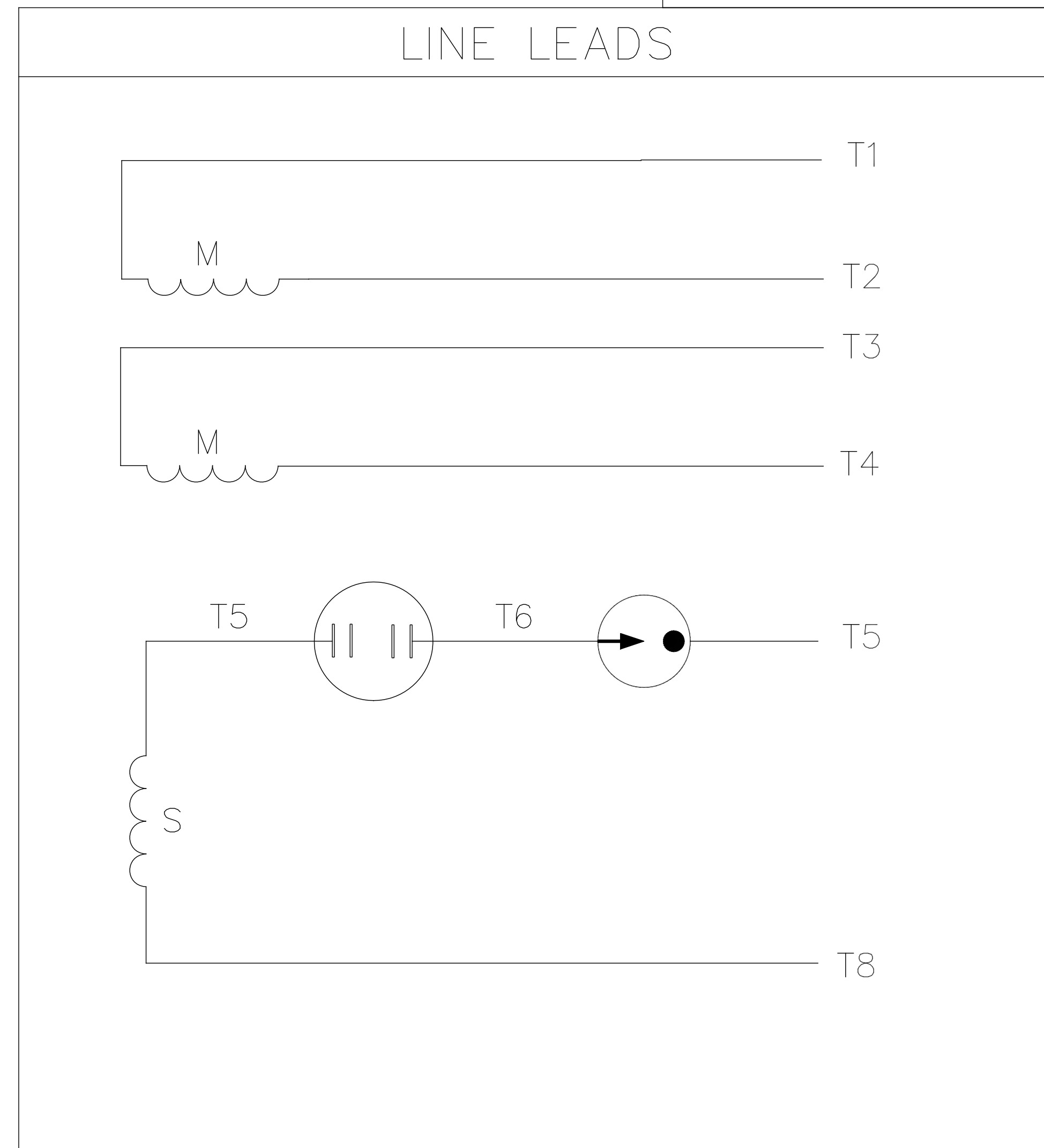
DASH NO.	"C"	"AD"	DASH NO.	"C"	"AD"
550	9.49	6.75	725	11.24	8.50
575	9.74	7.00	750	11.49	8.75
600	9.99	7.25	775	11.74	9.00
625	10.24	7.50	800	11.99	9.25
650	10.49	7.75	825	12.24	9.50
675	10.74	8.00	850	12.49	9.75
700	10.99	8.25			

				TOLERANCES UNLESS SPECIFIED		ELECTRIC MOTORS GEARMOTORS AND DRIVES	DRAWN PG 7/25/01		
				DEC.	INCHES		CHK		
04	UPDATED WITH CAP BOX AND DECAL	SL	10/06/15	JD	.X	±.1			
03	ADDED DASH NO'S. 725-850	PG	1/8/04		.XX	±.03	TITLE	OUTLINE - S56C FRAME	
02	REVISED CALLOUT FOR GD&T	KMM	6/6/02		.XXX	±.005		"C" FACE MOUNT - DRIP PROOF	
01	ADDED ANGULAR DIM. FOR FACE MTG. TAPS	PG	8/20/01		.XXXX	±.0005	MAT'L.	1 PHASE	
NO.	REVISION	BY & DATE	CHK	ANG	±1/2"		FINISH	PREV	
THIS DRAWING IN DESIGN AND DETAIL IS OUR PROPERTY AND MUST NOT BE USED EXCEPT IN CONNECTION WITH OUR WORK ALL RIGHTS OF DESIGN AND INVENTION ARE RESERVED THIS IS AN ELECTRONICALLY GENERATED DOCUMENT - DO NOT SCALE THIS PRINT				RFP	CAD FILE	031643	SIZE	DRAWING NO.	REV.
				DIST			A	031643	04


005005-44



VIEW FROM OUTSIDE OF MOTOR AT SWITCH END



	ROTATION FACING LEAD END	L1	L2	JOIN
HIGH VOLT	C.C.W.	T1	T4, T5	T2, T3 T8
	C.W.	T1	T4, T8	T2, T3 T5
LOW VOLT	C.C.W.	T1 T3, T8	T2, T4 T5	
	C.W.	T1 T3, T5	T2, T4 T8	

				TOLERANCES UNLESS OTHERWISE SPECIFIED			 Regal Beloit America, Inc.						
				DEC.	INCHES	METRIC							
				.X	±.1	±.25	DRAWN	PG 5/7/01	TITLE		EXTERNAL WIRING DIAGRAM TYPE "C" W/O PROTECTOR		
				.XX	±.01	±.25	APPR.		MAT'L.		DUAL VOLTAGE - DUAL ROTATION		
01	MOVED T5 TO "INSIDE" SWITCH TERMINAL	PG 8/2/01		.XXX	±.005	±.127	R.F.P.						
NO.	REVISION	BY & DATE	CH'K'D.	.XXXX	±.0005	±.0127	SCALE	5=8					
THIS DRAWING IN DESIGN AND DETAIL IS OUR PROPERTY AND MUST NOT BE USED EXCEPT IN CONNECTION WITH OUR WORK ALL RIGHTS OF DESIGN AND INVENTION ARE RESERVED THIS IS AN ELECTRONICALLY GENERATED DOCUMENT - DO NOT SCALE THIS PRINT				FRACTIONS	±1/64		REF.	005005-01	FINISH	REV.	01	DRAWING NO.	005005-44
				ANGLES	±1/2°		FMF	100006					



CERTIFICATION DATA SHEET

**1051 CHEYENNE AVE.
GRAFTON, WI 53024
PH. 262-377-8810**

CONN. DIAGRAM: 005005.44

CATALOG #: 100026.00

OUTLINE: 031643-700

MOUNTING: F1 ONLY

WINDING #: CE484207 DR 3 A

TYPICAL MOTOR PERFORMANCE DATA

HP	kW	SYNC. RPM	F.L. RPM	FRAME	ENCLOSURE	KVA CODE	DESIGN
3/4	0.56	1800	1725	S56C	DP	K	N

PH	Hz	VOLTS	AMPS	START TYPE	DUTY	INSL	S.F.	AMB°C
1	60	115/208-230	10.8/5.3-5.4	ACROSS THE LINE	CONTINUOUS	B3	1.25	40

FULL LOAD EFF:	70	3/4 LOAD EFF:	67.3	1/2 LOAD EFF:	61.3	GTD. EFF		ELEC. TYPE	
FULL LOAD PF:	64	3/4 LOAD PF:	56.4	1/2 LOAD PF:	45.3	66		CAP START IND RUN	

F.L. TORQUE	LOCKED ROTOR AMPS	L.R. TORQUE	B.D. TORQUE	F.L. RISE°C
36 OZ-FT	54.6 / 27.3	114 OZ-FT 317 %	83.6 OZ-FT 232 %	62.2

SOUND PRESSURE @ 3 FT.	SOUND POWER	ROTOR WK^2	MAX. WK^2	SAFE STALL TIME	STARTS / HOUR	APPROX. MOTOR WGT
0 dBA	10 dBA	-1 LB-FT^2	0 LB-FT^2	0 SEC.	0	27 LBS.

***** SUPPLEMENTAL INFORMATION *****

DE BRACKET TYPE	ODE BRACKET TYPE	MOUNT TYPE	ORIENTATION	SEVERE DUTY	HAZARDOUS LOCATION	DRIP COVER	SCREENS	PAINT
C-FACE	STANDARD	ROUND	HORIZONTAL	FALSE	NONE	FALSE	NONE	BLUE - LEESON (ENAMEL)

BEARINGS		GREASE	SHAFT TYPE	SPECIAL DE	SPECIAL ODE	SHAFT MATERIAL	FRAME MATERIAL
DE	ODE						
BALL	BALL	MULTEMP SRL	STANDARD 56	NONE	NONE	1144 STRESSPROOF (C-223)	ROLLED STEEL
6203	6203						

THERMO-PROTECTORS				THERMISTORS	CONTROL	SPACE HEATERS
THERMOSTATS	PROTECTORS	WDG RTDs	BRG RTDs			
NONE	NOT	NONE	NONE	NONE	FALSE	NONE VOLTS

*
N
O
T
E
S

INVERTER TORQUE: NONE
INV. HP SPEED RANGE: NONE
ENCODER: NONE
NONE NONE
NONE NONE PPR
BRAKE: NONE NONE
NONE P/N NONE
NONE NONE
NONE FT-LB NONE V NONE Hz

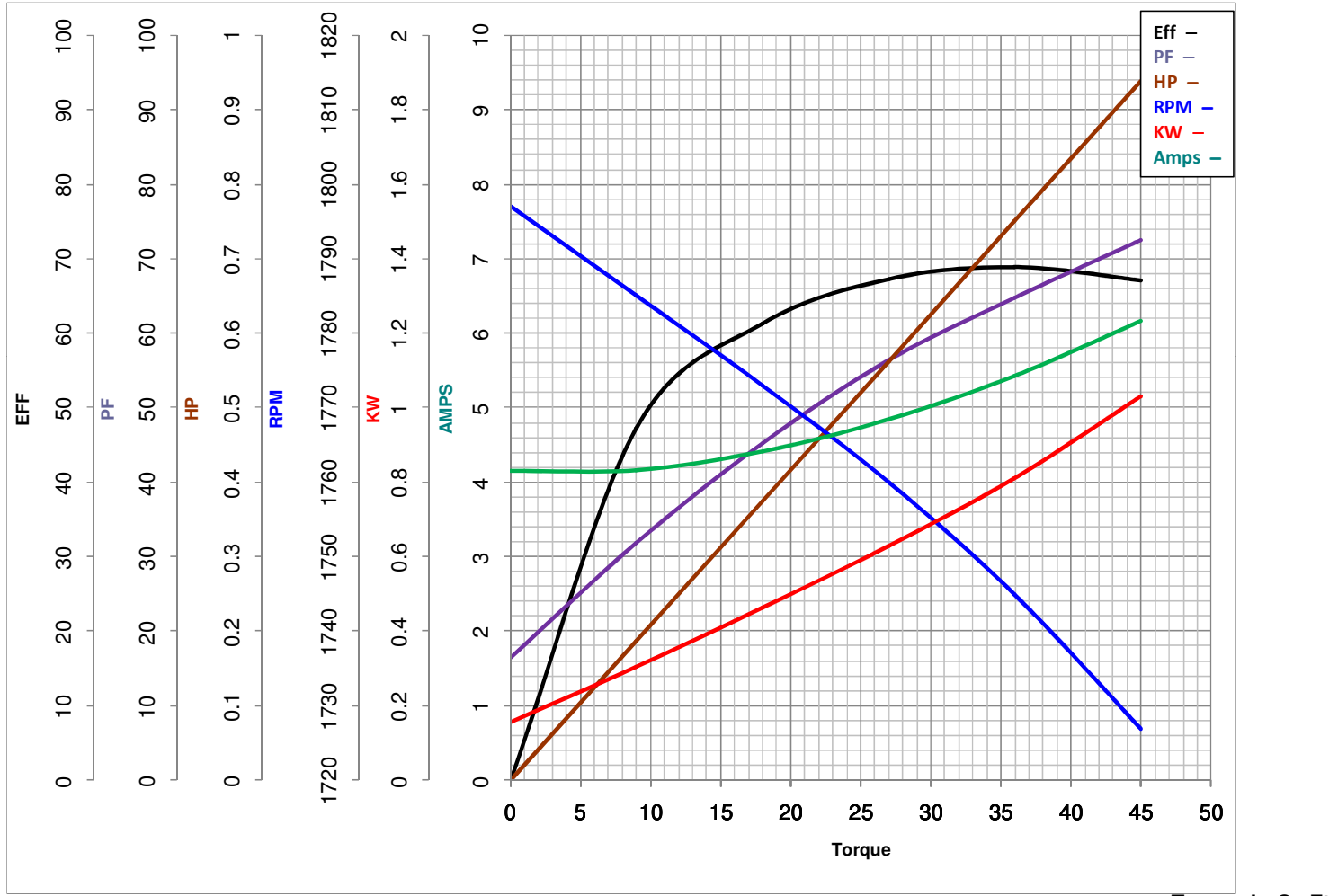


LEESON ELECTRIC CORPORATION
 TYPICAL PERFORMANCE CURVE for AC MOTOR

Model No 100026.00

Catalog No 100026.00

Curve at 230 Volts HP 0.75 PHASE 1
60 HZ
0.75 HP VOLTS 115/208-230
 HZ 60 RPM 1725



FL TORQUE	<u>36</u>	Oz.Ft	FL AMPS	<u>10.8/5.3-5.4</u>
BD TORQUE	<u>83.6</u>	Oz.Ft	PU TORQUE	<u>82.4</u> Oz.Ft
LR TORQUE	<u>114</u>	Oz.Ft	LR AMPS	<u>27.3</u>
WINDING	CE484207-3		Date	4/19/2018