

PRODUCT INFORMATION PACKET



Model No: LM28205
Catalog No: LM28205
Elevator Duty Motor, 10 HP, 3 Ph, 60 Hz, 200 V, 1200 RPM, 256TC Frame, DP



Regal and Leeson are trademarks of Regal Rexnord Corporation or one of its affiliated companies.
©2022 Regal Rexnord Corporation, All Rights Reserved. MC017097E



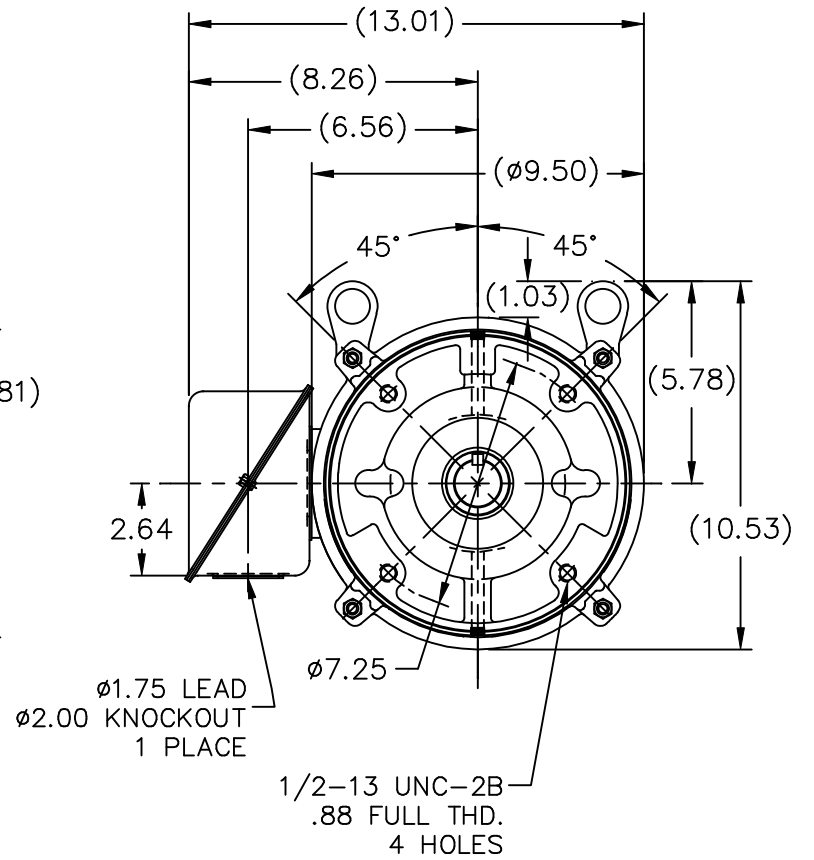
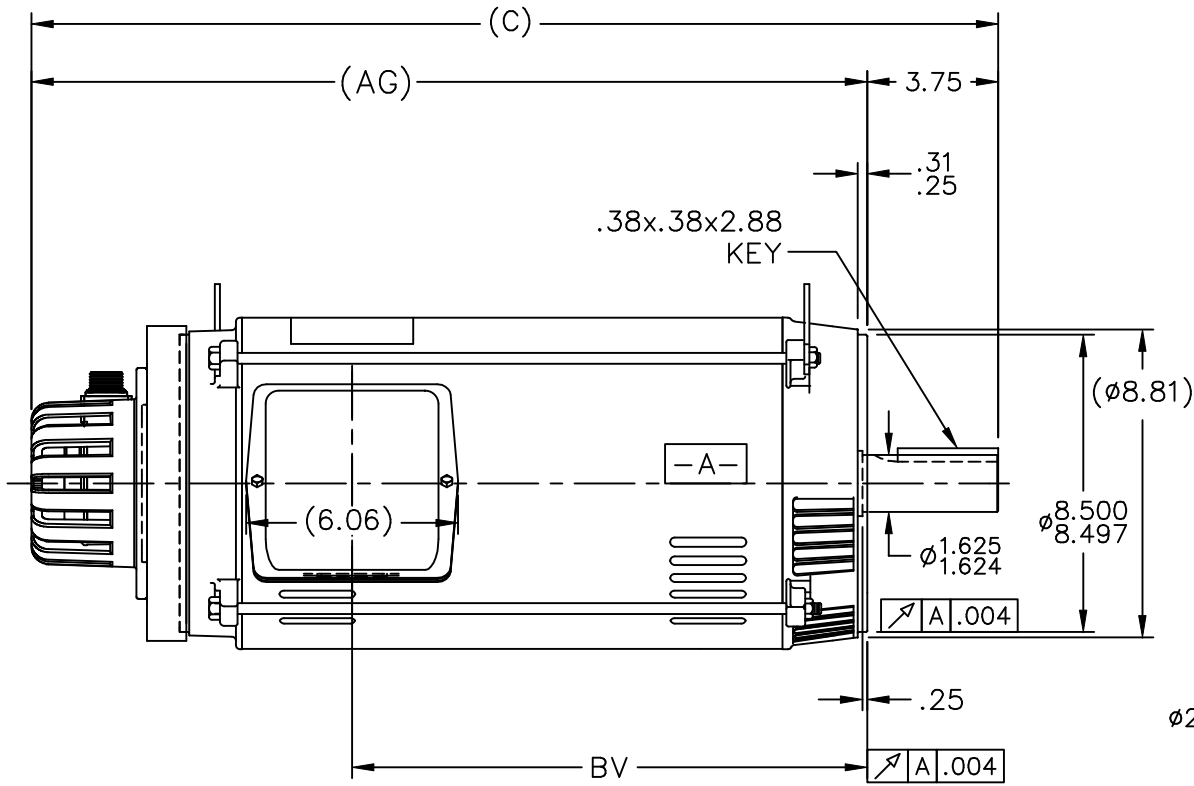


Nameplate Specifications

Output HP	10 Hp	Output KW	7.5 kW
Frequency	60 Hz	Voltage	200 V
Current	33.5 A	Speed	1160 rpm
Service Factor	1	Phase	3
Efficiency	86.5 %	Power Factor	74
Duty	Elevator	Insulation Class	F
Design Code	INV	KVA Code	J
Frame	256TC	Enclosure	Drip Proof
Thermal Protection	Thermostat	Ambient Temperature	40 °C
Drive End Bearing Size	309	Opp Drive End Bearing Size	208
UL	Recognized	CSA	Y
CE	Y	IP Code	12
Number of Speeds	1		

Technical Specifications


Electrical Type	Squirrel Cage Inverter Duty	Starting Method	Inverter Only
Poles	6	Rotation	Reversible
Resistance Main	1.16 Ohms	Mounting	Round
Motor Orientation	Horizontal	Drive End Bearing	Ball
Opp Drive End Bearing	Ball	Frame Material	Rolled Steel
Shaft Type	T	Overall Length	27.65 in
Frame Length	15.15 in	Shaft Diameter	1.625 in
Shaft Extension	3.75 in	Assembly/Box Mounting	F1/F2 CAPABLE
Inverter Load	CONSTANT 1000:1		
Outline Drawing	A-SS88789LN-1515	Connection Drawing	A-EE7300T-LN



- NOTES:
1. NAMEPLATE TO BE READ FROM C'BOX SIDE OF MOTOR.
 2. BOX CAN BE MOUNTED IN 90° STEPS.
 3. BOX CAN BE MOUNTED ON OPPOSITE SIDE BY REMOVING BRACKETS AND TURNING FRAME 180°. (EXCEPT AS NOTED.)

DASH	FR.	C	AG	BV
1340	254TC	25.85	22.10	12.76
1515	254/256TC	27.65	23.90	14.50

NO.	REVISION	BY & DATE	CHK	TOLERANCES UNLESS SPECIFIED	
				DEC.	INCHES
4	ADDED VENTS TO REAR BRKT. ISAAC #07-2780	RWR 11-09-2007	ML	.X	±.1
3	REVISE D.E. BRACKET PER ISAAC #07-24446	RWR 10-12-2007	ML	.XX	±.03
2	CHANGED REAR BRACKET VIEW CN 29100-3428	ERH 05-07-2003	DRS	.XXX	±.005
1	NEW DRAWING MU44630	CAV 12-18-2002	BW	.XXXX	±.0005
				ANG	±7'30"

		DRAWN	CAV 12-18-2002
		CHK	ML 12-19-2002
TITLE OUTLINE - STEEL C'BOX HS35 TACH 250TC FR. - BB - DR.PR.		APPD	BW 12-19-2002
		SCALE	1=5.5
MAT'L. FINISH		REF	
		FMF	
RFP DIST LB		PREV	

THIS DRAWING IN DESIGN AND DETAIL IS OUR PROPERTY AND MUST NOT BE USED EXCEPT IN CONNECTION WITH OUR WORK ALL RIGHTS OF DESIGN AND INVENTION ARE RESERVED THIS IS AN ELECTRONICALLY GENERATED DOCUMENT - DO NOT SCALE THIS PRINT

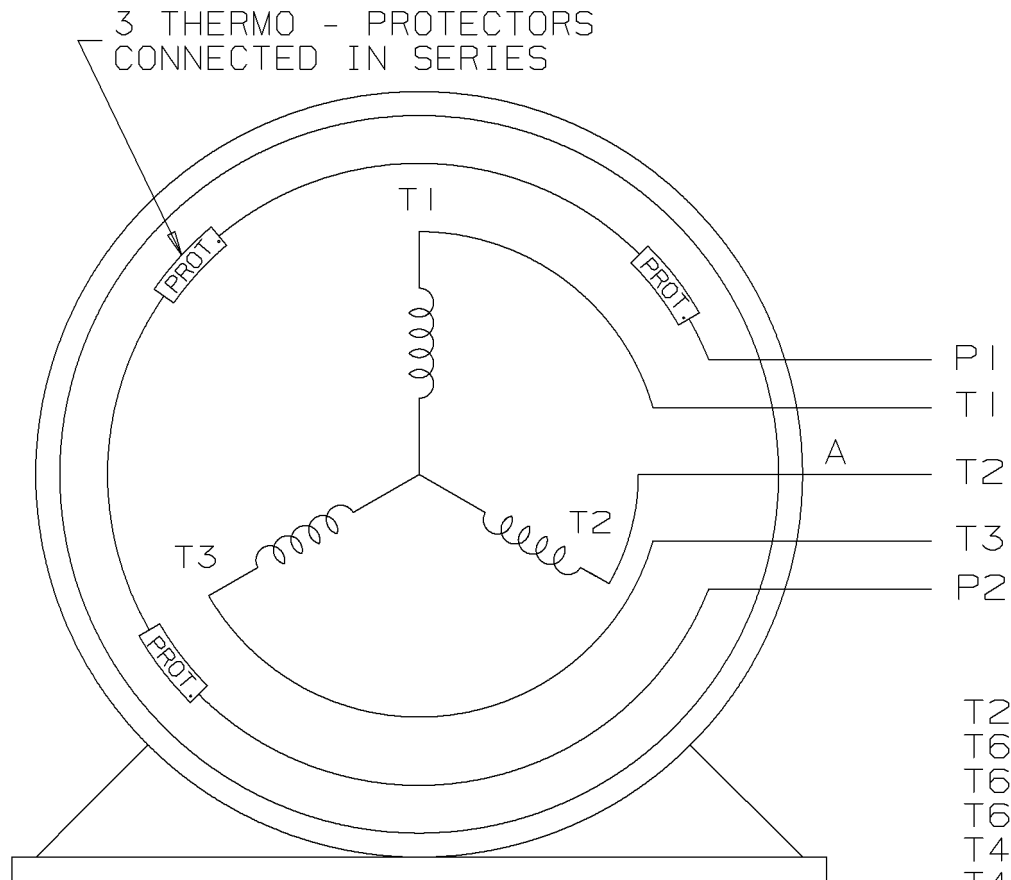
CAD FILE	ss88789ln	SIZE	A	DRAWING NO.	SS88789LN	PAGE	OF	REV.	4
----------	-----------	------	---	-------------	-----------	------	----	------	---

THREE PHASE - SINGLE VOLTAGE
MOTOR - CONDUIT BOX @ 'A'

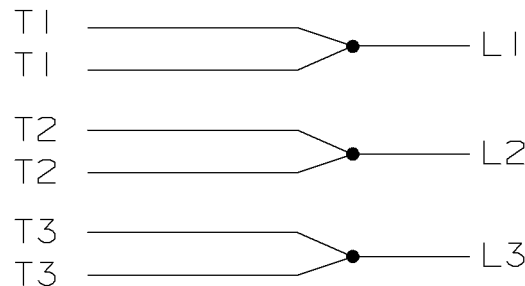
A-EE7300T-LN

TO REVERSE ROTATION:
INTERCHANGE ANY TWO LINE
LEAD CONNECTIONS

NOTE FOR FACTORY USE ONLY:
TO SURGE TEST:
FOR 3 LEAD COMMON CONNECT:
CONNECT P1 TO T1 THEN P2 TO L1
FOR 6 LEAD COMMON CONNECT:
CONNECT P1 TO BOTH T1
THEN P2 TO L1



IF MOTOR HAS MULTIPLE
T'S PER LEAD CONNECT
TOGETHER LIKE T'S



A-9806 DECAL

- T2BM
- T6AW
- T6AL
- T6Z
- T4EG
- T4BF
- T8A
- T6H
- T6A
- T4AX
- T4A
- T2A
- T2F

VIEW OF TERMINAL END

				Lincoln MOTORS		<input checked="" type="checkbox"/> UNLESS OTHERWISE SPECIFIED DIMENSIONS ARE IN INCHES TOL. ON XX± XXX±.005 XXXX±.0005 ANGLES±	
						MAX. SURFACE ROUGHNESS UNLESS OTHERWISE NOTED	DRAWN BY TJB 04-06-2000
						FINISH	CHKD BY ML 04-07-2000
						MATERIAL	APPD BY ET 04-10-2000
REV	DATE	CHANGE	NAME	PART NAME CONNECTION DIAGRAM SINGLE VOLT - 3Ø MOTOR WITH PROTECTOR			DRWG NO A-EE7300T-LN
				PURCHASED		CADD FILE NO.	EE7300T-LN



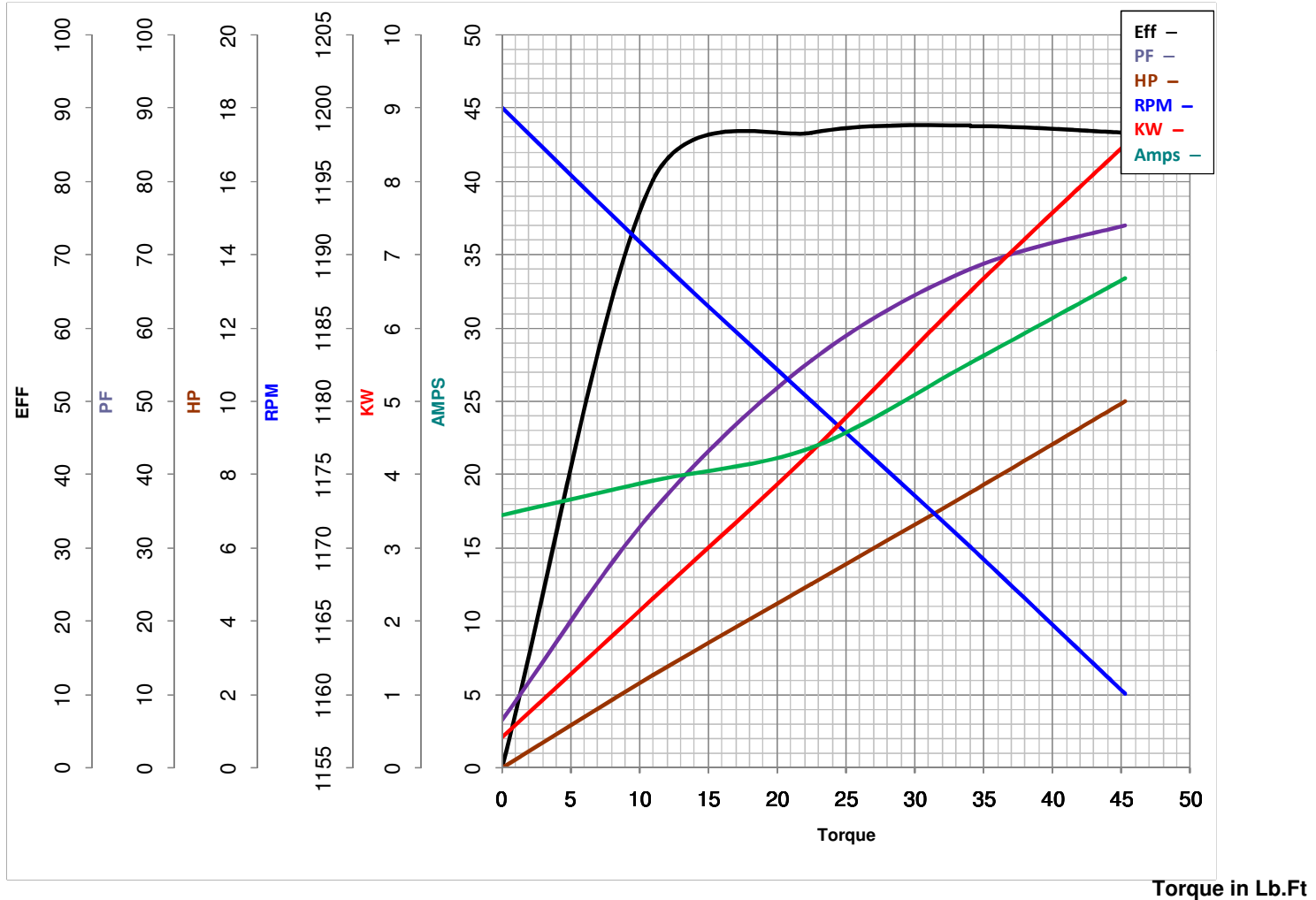
LEESON ELECTRIC CORPORATION
 TYPICAL PERFORMANCE CURVE for AC MOTOR

Model No LM28205

Curve at 200 Volts HP 10.00 PHASE 3
60 HZ
10 HP VOLTS 200

Catalog No LM28205BB

HZ 60 RPM 1160



FL TORQUE 45.3 Lb.Ft
 BD TORQUE 140.0 Lb.Ft
 LR TORQUE 120 Lb.Ft

FL AMPS 33.5
 PU TORQUE 110.0 Lb.Ft
 LR AMPS 230

WINDING K2156160-2

Date 6/4/2018

EC Declaration of Conformity

The undersigned representing
the manufacturer:

Regal Beloit America
100 East Randolph St.
Wausau, WI 54401

and the authorized representative
established within the Community:

Marathon Electric UK
6F Thistleton Road Ind. Estate
Market Overton
Oakham, Rutland LE15 7PP UK

are committed to providing customers with products that comply with applicable regulations and international protocols to which they are subject, including the requirements of the European Parliament Directive on the Harmonization of the laws relating to electrical equipment designed for use within certain voltage limits (2014/35/EU).

Regal Beloit America declares that the following product(s), to which this declaration relates, are in conformity with the relevant sections of the EC standards listed below.

This statement supersedes any statements previously issued pertaining to the product(s) listed below and is subject to change without notice.

Model No : LM28205

(Model No. may contain prefix and/or suffix characters)

Catalog No : LM28205

Rework No : N/A

Directives :

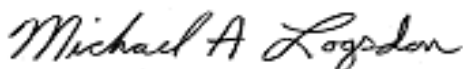
Low Voltage Directive 2014/35/EU

Harmonized Standards Used :

EN 60034-1: 2010 (IEC 60034-1: 2010)

EN 60034-5: 2001/A1:2007 (IEC 60034-5: 2000/A1:2006)

Authorized Representative:



Michael A. Logsdon
Vice President, Technology

Authorized Representative in the Community:



Julian Clark
Marketing Engineer

Created on 09/01/2022

CE 22