

# PRODUCT INFORMATION PACKET



Model No: 121938.00  
Catalog No: 121938.00  
Special Voltage Motor, 1 HP, 3 Ph, 60 Hz, 575 V, 1200 RPM, 145T Frame, TEFC



Regal and Leeson are trademarks of Regal Rexnord Corporation or one of its affiliated companies.  
©2023 Regal Rexnord Corporation, All Rights Reserved. MC017097E





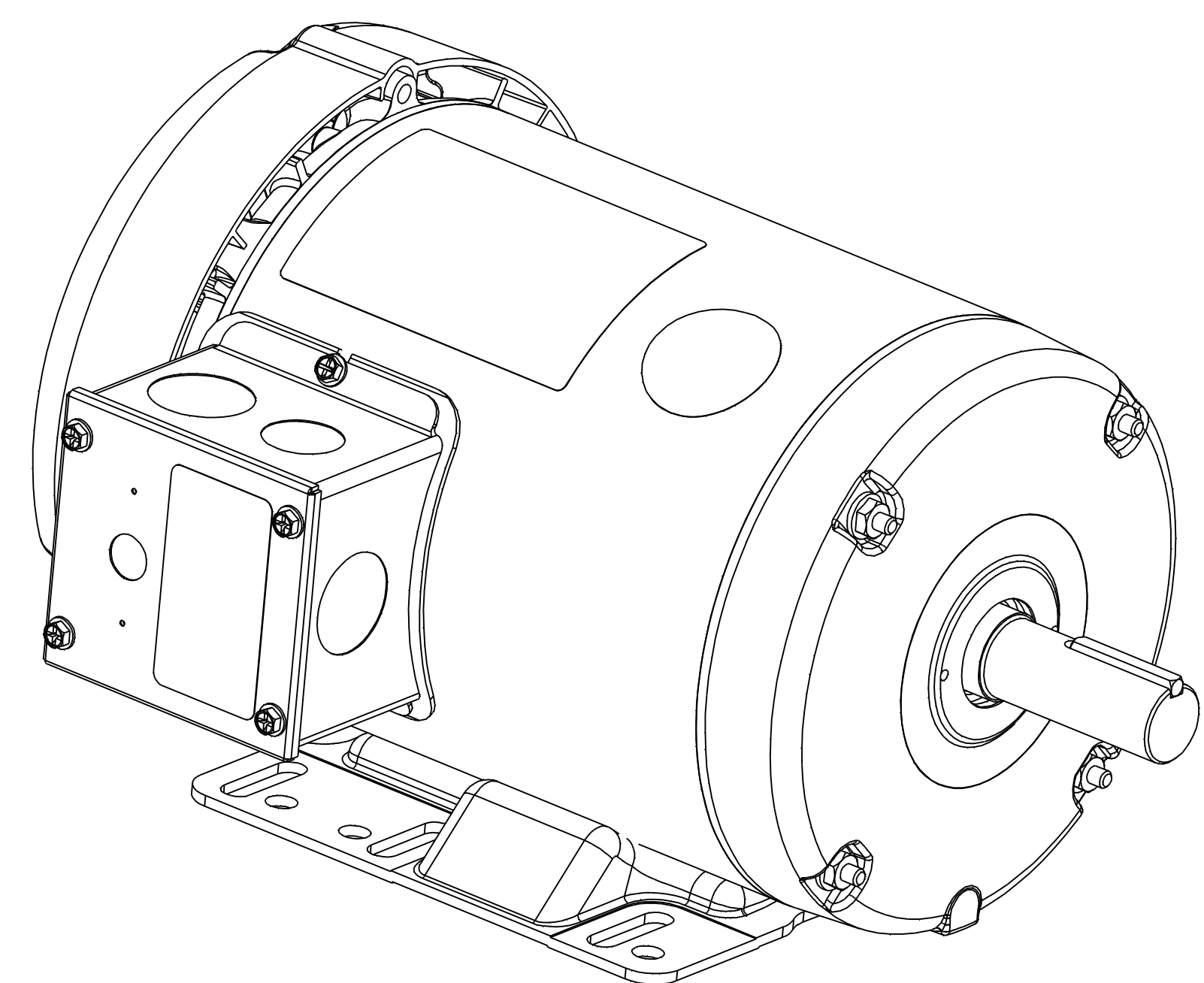
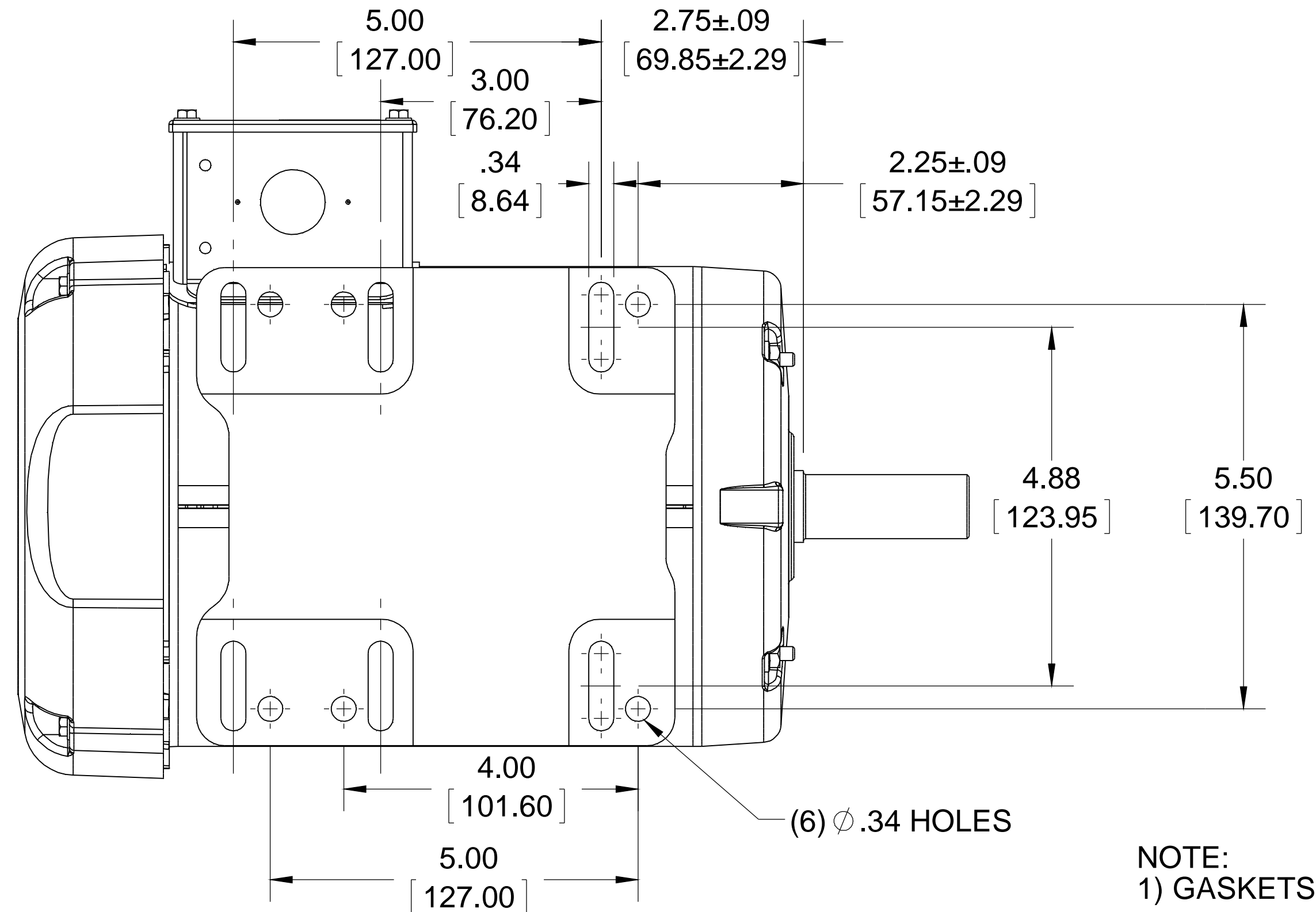
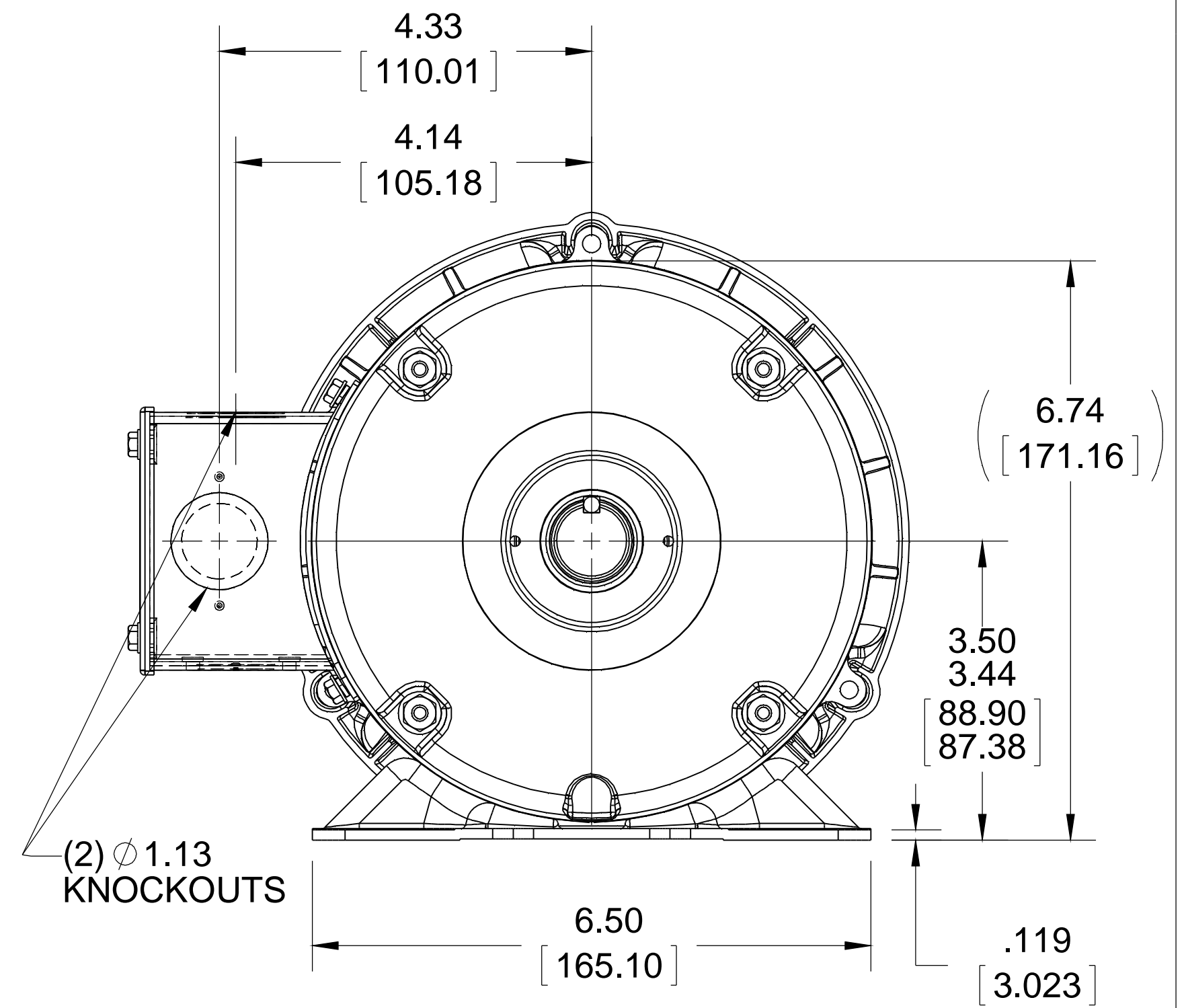
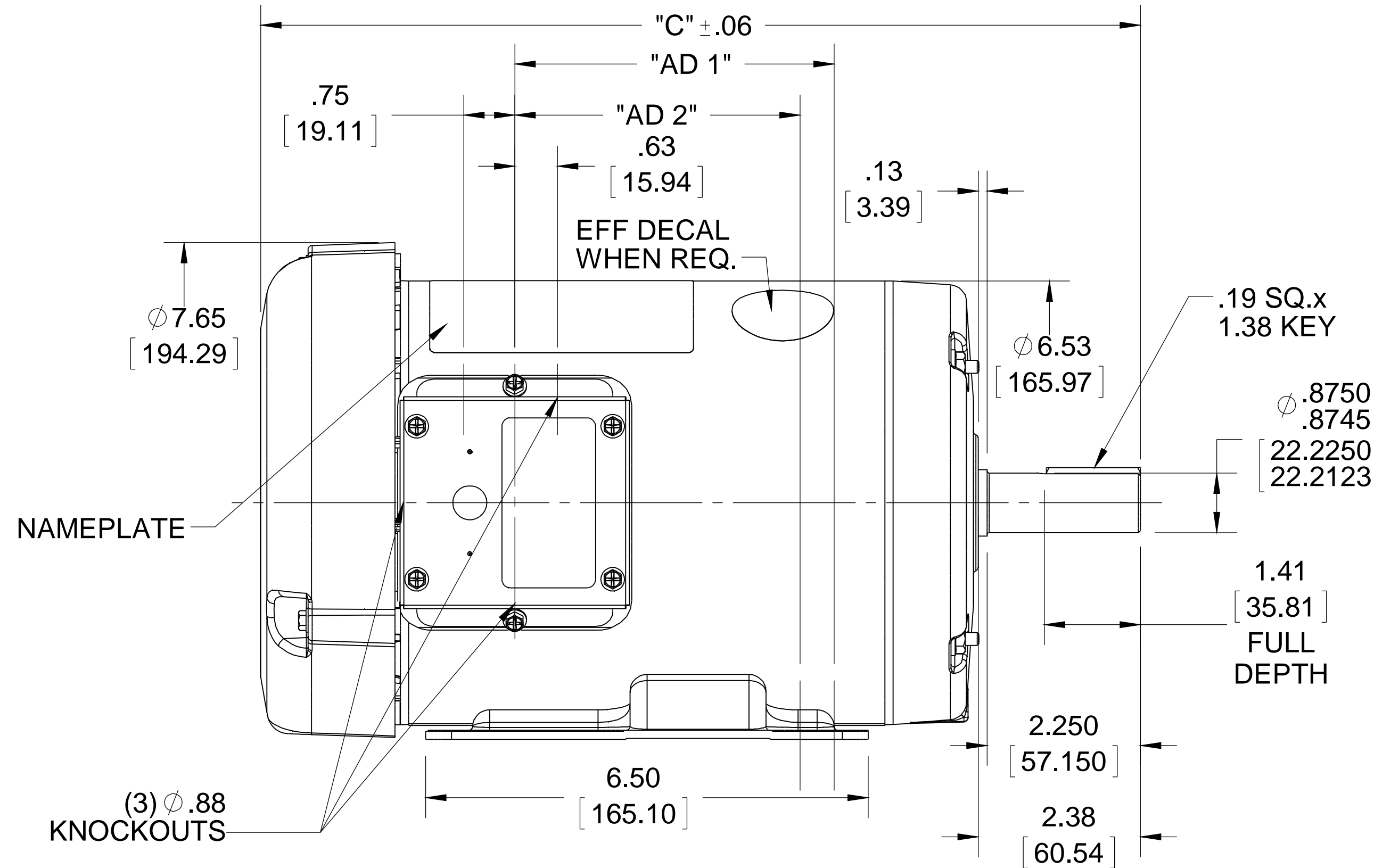
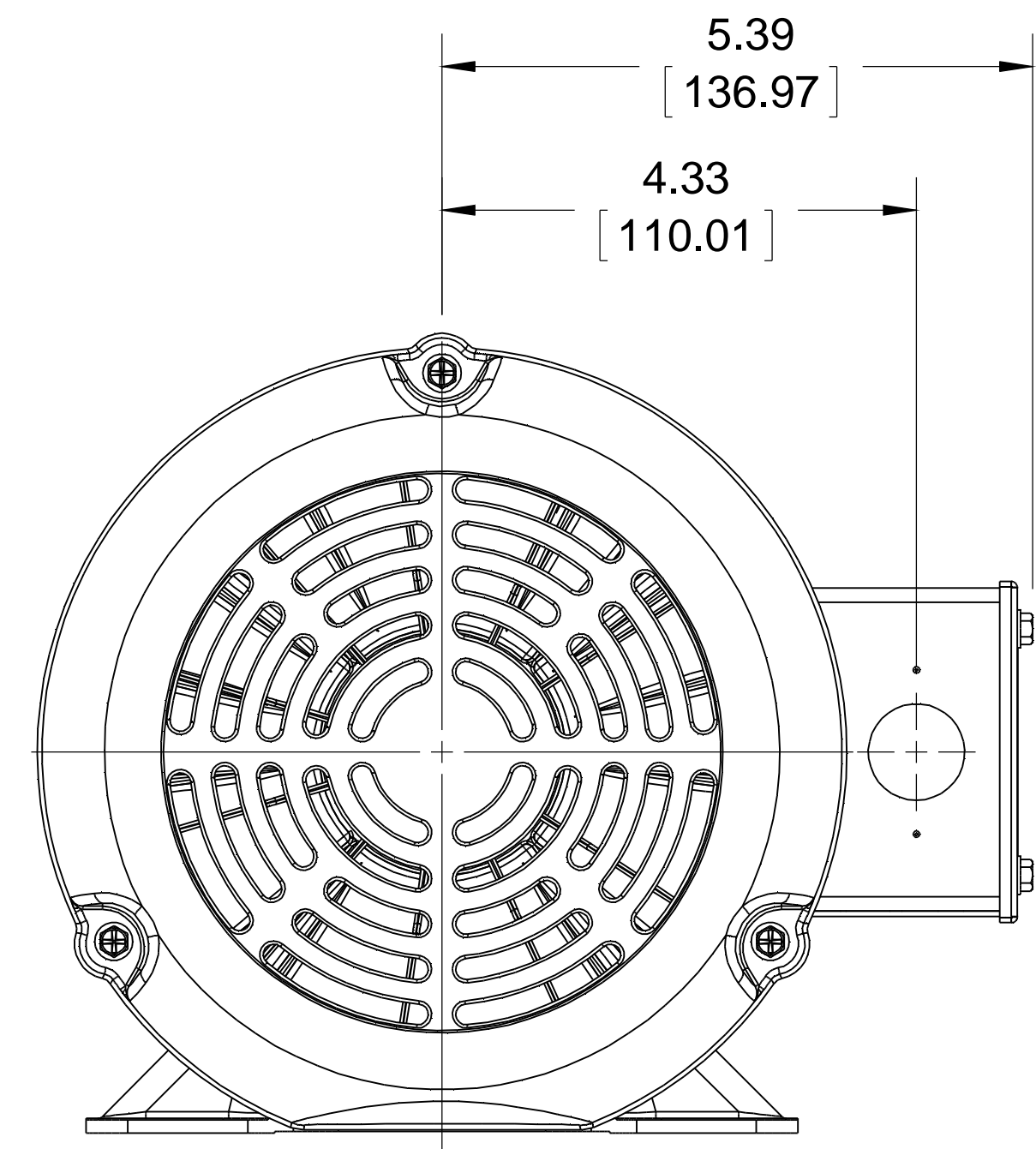
### Nameplate Specifications

|                        |               |                            |                             |
|------------------------|---------------|----------------------------|-----------------------------|
| Output HP              | 1 Hp          | Output KW                  | 0.75 kW                     |
| Frequency              | 60 Hz         | Voltage                    | 575 V                       |
| Current                | 1.5 A         | Speed                      | 1170 rpm                    |
| Service Factor         | 1.25          | Phase                      | 3                           |
| Efficiency             | 82.5 %        | Power Factor               | 60                          |
| Duty                   | Continuous    | Insulation Class           | F                           |
| Design Code            | B             | KVA Code                   | K                           |
| Frame                  | 145T          | Enclosure                  | Totally Enclosed Fan Cooled |
| Thermal Protection     | No Protection | Ambient Temperature        | 40 °C                       |
| Drive End Bearing Size | 6205          | Opp Drive End Bearing Size | 6203                        |
| UL                     | Recognized    | CSA                        | Y                           |
| CE                     | Y             | IP Code                    | 43                          |
| Number of Speeds       | 1             |                            |                             |

### Technical Specifications

|                       |                             |                       |                 |
|-----------------------|-----------------------------|-----------------------|-----------------|
| Electrical Type       | Squirrel Cage Induction Run | Starting Method       | Across The Line |
| Poles                 | 6                           | Rotation              | Reversible      |
| Resistance Main       | 20.8 Ohms                   | Mounting              | Rigid Base      |
| Motor Orientation     | Horizontal                  | Drive End Bearing     | Ball            |
| Opp Drive End Bearing | Ball                        | Frame Material        | Rolled Steel    |
| Shaft Type            | T                           | Overall Length        | 13.43 in        |
| Frame Length          | 7.50 in                     | Shaft Diameter        | 0.875 in        |
| Shaft Extension       | 2.25 in                     | Assembly/Box Mounting | F1 ONLY         |
| Outline Drawing       | 028765-750                  | Connection Drawing    | 005102.01       |

This is an uncontrolled document once printed or downloaded and is subject to change without notice. Date Created:03/15/2023



| DASH NO. | "C"   | "AD 1" | "AD 2" |
|----------|-------|--------|--------|
| 600      | 11.93 | 3.69   | 3.19   |
| 650      | 12.43 | 4.19   | 3.69   |
| 675      | 12.68 | 4.44   | 3.94   |
| 700      | 12.93 | 4.69   | 4.19   |
| 725      | 13.18 | 4.94   | 4.44   |
| 750      | 13.43 | 5.19   | 4.69   |
| 800      | 13.93 | 5.69   | 5.19   |
| 850      | 14.43 | 6.19   | 5.69   |

NOTE:  
1) GASKETS THROUGHOUT

|   |                           |                          |
|---|---------------------------|--------------------------|
| DRAWING REVISION<br><b>H</b>  | REVISION BY<br><b>LST</b> | DATE<br><b>4/10/15</b>   |
| ECO<br><b>ECO-0075607</b>   | APPROVED BY<br><b>SK</b>  | DATE<br><b>8/17/2014</b> |
| ECO DESCRIPTION<br><b>UPDATE DASH TABLE</b>   |                           |                          |
| <small>COPYRIGHT REGAL BELOIT AMERICA, INC. ALL RIGHTS RESERVED. PROPRIETARY AND CONFIDENTIAL INFORMATION - THIS DOCUMENT IS THE PROPERTY OF REGAL BELOIT AMERICA, INC. ("OWNER") AND CONTAINS OWNER'S PROPRIETARY INFORMATION. ANY PERSON, CORPORATION OR OTHER FIRM RECEIVING IT IS DEEMED, BY RECEIVING IT, TO AGREE THAT IT, AND/OR ANY PART OF IT, SHALL NOT BE DISCLOSED TO ANY PERSON, CORPORATION OR OTHER ENTITY, DUPLICATED, AND/OR USED, EXCEPT AS EXPRESSLY APPROVED IN WRITING IN ADVANCE BY OWNER. THIS DOCUMENT SHALL BE RETURNED TO OWNER UPON REQUEST. IT MAY BE SUBJECT TO CERTAIN RESTRICTIONS UNDER APPLICABLE EXPORT CONTROL LAWS AND REGULATIONS.</small> |                           |                          |

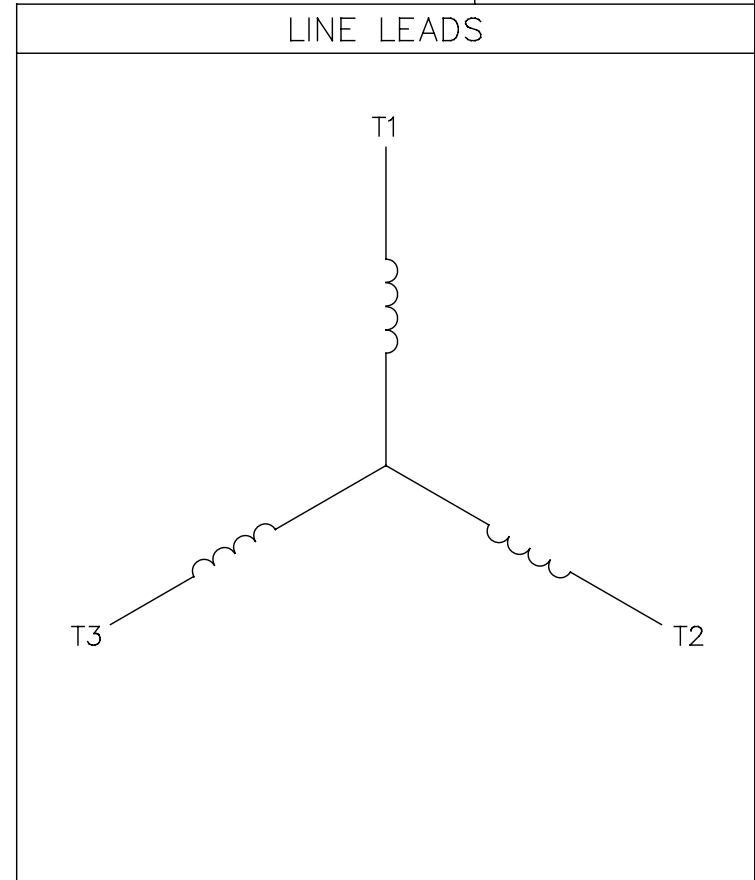
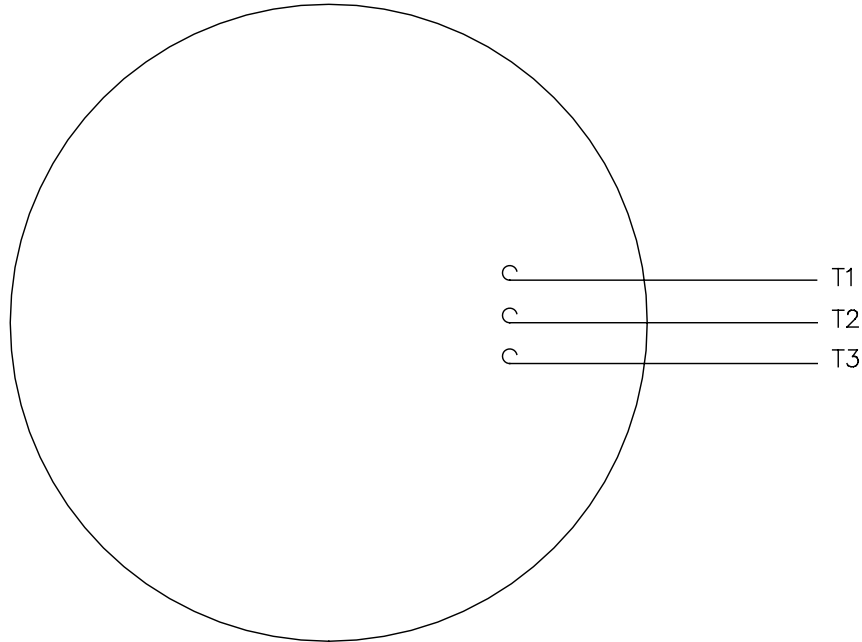
TOLERANCES UNLESS OTHERWISE SPECIFIED:  
 DEC. INCH mm ANGLE  
 .X ±0.1 [±2.5] ±0.5°  
 .XX ±0.03 [±0.76]  
 XXX ±0.005 [±0.127]  
 .XXXX ±0.0005 [±0.0127]  
 REMOVE BURRS & BREAK SHARP EDGES: .003/.015 [.076/.381]  
 CORNER FILLETS: .02 [.51]  
 MACHINED SURFACES: 125 3.2  
 INCH mm  
 mm SHOWN IN [BRACKETS]

|                            |
|----------------------------|
| DRAWN BY<br><b>JJK</b>     |
| DATE<br><b>06/13/07</b>    |
| APPROVED BY                |
| DATE                       |
| REFERENCE<br><b>034941</b> |
| THIRD ANGLE PROJECTION     |

|   |                                   |
|---|-----------------------------------|
| <b>REGAL</b> ™ Regal Beloit America, Inc.                     |                                   |
| DESCRIPTION<br><b>OUTLINE</b><br>140T/56HZ FRAME TEFC - RIGID |                                   |
| MATERIAL  | PROCESS/FINISH<br>GENERAL PURPOSE |
| SIZE<br><b>B</b>  | DRAWING NUMBER<br><b>028765</b>   |
| SHEET<br><b>1 OF 1</b>  |                                   |

005102-01

VIEW FROM OUTSIDE OF MOTOR AT SWITCH END.



CONNECT LEADS AS FOLLOWS  
FOR FOUR CONDUCTOR CORD ( )

|       |             |               |               |         |
|-------|-------------|---------------|---------------|---------|
| CORD  | L1<br>(RED) | L2<br>(WHITE) | L3<br>(BLACK) | (GREEN) |
| MOTOR | T1          | T2            | T3            | GROUND  |

|  |                                    |              |     |                                |        |  |  |                   |             |      |
|--|------------------------------------|--------------|-----|--------------------------------|--------|--|--|-------------------|-------------|------|
|  |                                    |              |     | TOLERANCES<br>UNLESS SPECIFIED |        | <b>REGAL</b> ™ <b>Regal Beloit America, Inc.</b>           |  | DRAWN JRW 9/11/75 |             |      |
|  |                                    |              |     | DEC.                           | INCHES |  |  | CHK               |             |      |
|  |                                    |              |     | .X                             | ±.1    |  |  | APPD JCW 9/11/75  |             |      |
| 08   | UPDATED TO REGAL LOGO              | SAJ 06/26/15 | AJY | .XX                            | ±.01   | TITLE<br>EXTERNAL WIRING DIAGRAM<br>TYPE "T" W/O PROTECTOR |  | SCALE 1=1         |             |      |
| 07   | UPDATED TO CURRENT STANDARDS       | DBT 5/30/97  |     | .XXX                           | ±.005  |  |  | REF W-T6343-6     |             |      |
| 06   | REDRAWN ON CAD; ADDED DECAL NUMBER | SAW 1/24/95  |     | .XXXX                          | ±.0005 |  |  | FMF 6T17FB7       |             |      |
| NO.  | REVISION                           | BY & DATE    | CHK | ANG                            | ±1/2"  | FINISH   |  | PREV              |             |      |
| THIS DRAWING IN DESIGN AND DETAIL IS OUR PROPERTY AND MUST NOT BE USED EXCEPT<br>IN CONNECTION WITH OUR WORK ALL RIGHTS OF DESIGN AND INVENTION ARE RESERVED<br>THIS IS AN ELECTRONICALLY GENERATED DOCUMENT - DO NOT SCALE THIS PRINT |                                    |              |     | RFP                            | 5/1/02 | CAD FILE 00510201  |  | SIZE              | DRAWING NO. | REV. |
|  |                                    |              |     | DIST BRF-NLV                   |        |  |  | A                 | 005102-01   | 08   |

P.O. BOX 8003  
 WAUSAU, WI 54401-8003  
 PH. 715-675-3311



DATA VOLTS: 460

**CERTIFICATION DATA SHEET**

CONN. DIAGRAM: 005102.01  
 OUTLINE: 028765-750  
 WINDING: T63681

CAT #: 121938.00

FR 4

**TYPICAL MOTOR PERFORMANCE DATA**

| HP | KW   | SYNC RPM | FL RPM | FRAME | ENCLOSURE | TYPE | KVA CODE | DESIGN |
|----|------|----------|--------|-------|-----------|------|----------|--------|
| 1  | 0.75 | 1200     | 1160   | 145T  | TEFC      | TFR  | K        | B      |

| PH | HZ | VOLTS | AMPS | START TYPE      | DUTY | INSL | S.F. | AMB | ELEV. |
|----|----|-------|------|-----------------|------|------|------|-----|-------|
| 3  | 60 | 575   | 1.4  | ACROSS THE LINE | CONT | F    | 1.15 | 40  | 3300  |

| F.L. EFF | 82.5 | 3/4 LD EFF | 82.9 | 1/2 LD EFF | 80.6 | GTD EFF | 0.0 | ELECT. TYPE | SQ CAGE IND RUN |
|----------|------|------------|------|------------|------|---------|-----|-------------|-----------------|
| F.L. PF  | 63.0 | 3/4 LD PF  | 54.7 | 1/2 LD PF  | 42.5 |         |     |             |                 |

| F.L. TORQUE | LR AMPS @ 460 V | L.R. TORQUE     | B.D. TORQUE     | F.L. RISE (°C) |
|-------------|-----------------|-----------------|-----------------|----------------|
| 4.5 LB-FT   | 8.6             | 13.5 LB-FT 300% | 15.8 LB-FT 351% | 42             |

| PRESSURE @ 3 | POWER | ROTOR WK²   | MAX. LOAD WK² | SAFE STALL TIME | STARTS/HOUR | MOTOR WGT |
|--------------|-------|-------------|---------------|-----------------|-------------|-----------|
| 0 dBA        | 9 dBA | 0.14 LB-FT² | 0.1 LB-FT²    | 10 SEC.         | 0           | 0 LB.     |

\*\*\* SUPPLEMENTAL INFORMATION \*\*\*

| DE BRACKET TYPE | ODE BRACKET TYPE | MOUNT TYPE | MOTOR ORIENTATION | SEVERE DUTY | HAZARDOUS LOCATION | DRIP COVER | SCREENS | PAINT             |
|-----------------|------------------|------------|-------------------|-------------|--------------------|------------|---------|-------------------|
| STANDARD        | STANDARD         | RIGID      | HORIZONTAL        | NO          | NONE               | NO         | NONE    | IN - LEESON WATTS |

| BEARINGS |      | GREASE     | SHAFT TYPE | SPECIAL DE | SPECIAL ODE | SHAFT MATERIAL           | FRAME MATERIAL |
|----------|------|------------|------------|------------|-------------|--------------------------|----------------|
| DE       | ODE  |            |            |            |             |                          |                |
| BALL     | BALL | POLYREX EM | T          | NONE       | NONE        | 1144 STRESSPROOF (C-223) | ROLLED STEEL   |
| 6205     | 6203 |            |            |            |             |                          |                |

| THERMOSTATS | PROTECTORS | WDG RTD's | BRG RTD's | THERMISTORS | CONTROL | SPACE HEATERS |
|-------------|------------|-----------|-----------|-------------|---------|---------------|
| NONE        | NOT        | NONE      | NONE      | NONE        | FALSE   | NA            |

| R1 (ohms/ph) | R2 (ohms/ph) | X1 (ohms/ph) | X2 (ohms/ph) | Xm (ohms/ph) | VIBRATION (in/sec) | FLOAT |
|--------------|--------------|--------------|--------------|--------------|--------------------|-------|
| 0            | 0            | 0            | 0            | 0            | 0.080              | ODE   |

|                                 |  |   |
|---------------------------------|--|---|
| *<br>N<br>O<br>T<br>E<br>S<br>* |  | INVERTER TORQUE: NONE<br>INV. HP SPEED RANGE: NONE<br><br>ENCODER: NONE<br>NONE<br>NONE<br>NONE PPR |
|                                 |  |   |
|                                 |  |   |
|                                 |  |   |
|                                 |  |   |

|                 |   |
|-----------------|---|
| DATE: 1/29/2018 | BRAKE: NONE<br>NONE<br>NONE<br>FT-LB: NA<br>VOLTAGE: NONE<br>HZ:<br>UL: Y-(LEESON UL REC) |
|-----------------|---|

Data Sheet

Date: 1/29/2018

121938.00



Data @ 575 V

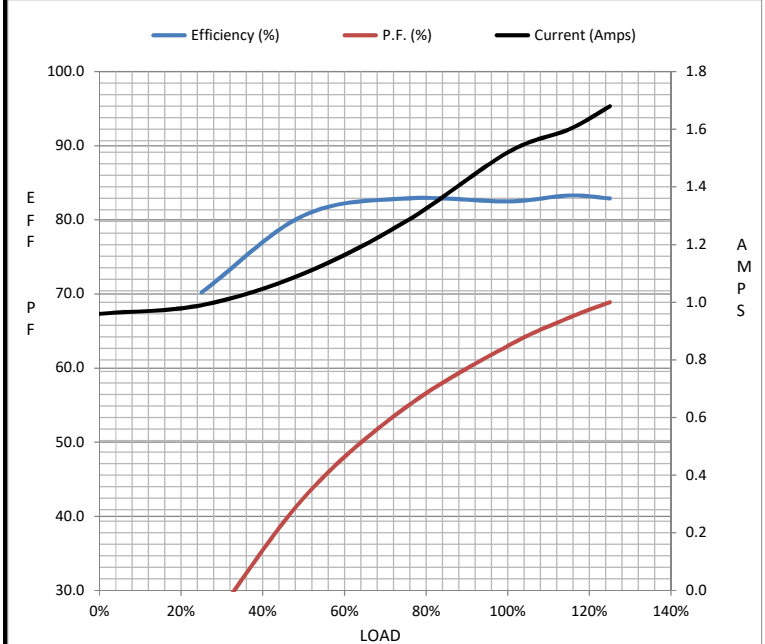
Motor Load Data

| Load           | 0%   | 25%  | 50%  | 75%  | 100% | 115%  | 125% | LR   |
|----------------|------|------|------|------|------|-------|------|------|
| Current (Amps) | 0.96 | 0.99 | 1.10 | 1.28 | 1.52 | 1.60  | 1.68 | 8.6  |
| Torque (ft-lb) | 0.00 | 1.10 | 2.23 | 3.4  | 4.5  | 5.3   | 5.7  | 13.5 |
| RPM            | 1200 | 1190 | 1180 | 1169 | 1160 | 1,150 | 1145 | 0    |
| Efficiency (%) |      | 70.2 | 80.6 | 82.9 | 82.5 | 83.3  | 82.9 |      |
| P.F. (%)       | 8.6  | 23.8 | 42.5 | 54.7 | 63.0 | 66.8  | 68.9 | 0.0  |

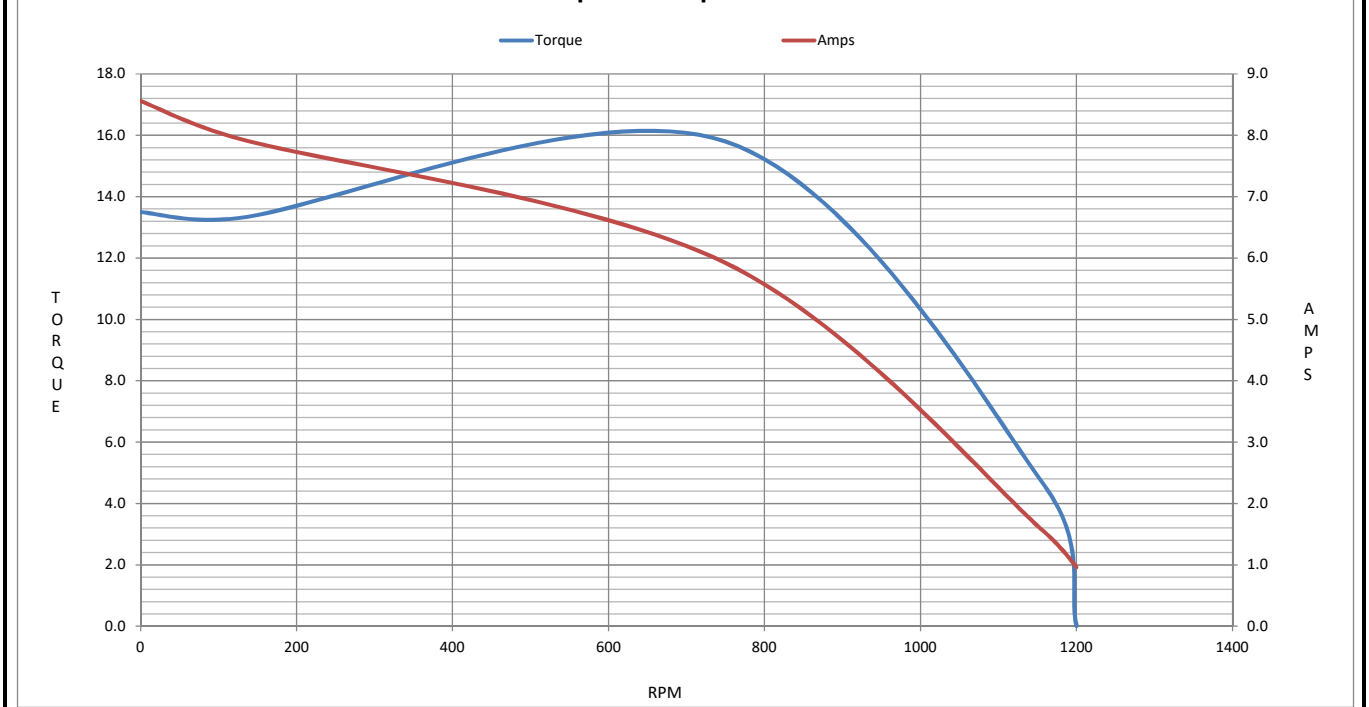
Motor Speed Data

|                | LR   | Pull-Up | BD   | Rated | Idle |
|----------------|------|---------|------|-------|------|
| Speed (RPM)    | 0    | 125     | 750  | 1160  | 1200 |
| Current (Amps) | 8.6  | 8.0     | 5.9  | 1.52  | 0.96 |
| Torque (ft-lb) | 13.5 | 13.3    | 15.8 | 4.5   | 0.00 |

| Information Block           |                         |        |        |        |
|-----------------------------|-------------------------|--------|--------|--------|
| HP                          | 1.0                     |        |        |        |
| Sync. RPM                   | 1200                    |        |        |        |
| Frame                       | 140                     |        |        |        |
| Enclosure                   | TEFC                    |        |        |        |
| Construction                | TFR                     |        |        |        |
| Voltage                     | 575 V                   |        |        |        |
| Frequency                   | 60 Hz                   |        |        |        |
| Design                      | B                       |        |        |        |
| LR Code letter              | K                       |        |        |        |
| Service Factor              | 1.15                    |        |        |        |
| Temp Rise @ FL              | 42 °C                   |        |        |        |
| Duty                        | CONT                    |        |        |        |
| Ambient                     | 40 °C                   |        |        |        |
| Elevation                   | 1,000 feet              |        |        |        |
| Rotor/Shaft wk <sup>2</sup> | 0.14 Lb-Ft <sup>2</sup> |        |        |        |
| Ref Wdg                     | T63681 FR               |        |        |        |
| Sound Pressure @ 1M         | 0 dBA                   |        |        |        |
| VFD Rating                  | NONE                    |        |        |        |
| Outline Dwg                 | 028765-750              |        |        |        |
| Conn. Diag                  | 005102.01               |        |        |        |
| Additional Specifications:  |                         |        |        |        |
| 0                           |                         |        |        |        |
| 0                           |                         |        |        |        |
| EQUIV CKT (OHMS / PHASE)    |                         |        |        |        |
| R1                          | R2                      | X1     | X2     | Xm     |
| 0.0000                      | 0.0000                  | 0.0000 | 0.0000 | 0.0000 |



Speed - Torque Curve



## EC Declaration of Conformity

The undersigned representing  
the manufacturer:

Regal Beloit America  
100 East Randolph St.  
Wausau, WI 54401

and the authorized representative  
established within the Community:

Marathon Electric UK  
6F Thistleton Road Ind. Estate  
Market Overton  
Oakham, Rutland LE15 7PP UK

are committed to providing customers with products that comply with applicable regulations and international protocols to which they are subject, including the requirements of the European Parliament Directive on the Harmonization of the laws relating to electrical equipment designed for use within certain voltage limits (2014/35/EU).

Regal Beloit America declares that the following product(s), to which this declaration relates, are in conformity with the relevant sections of the EC standards listed below.

This statement supersedes any statements previously issued pertaining to the product(s) listed below and is subject to change without notice.

Model No : 121938.00

(Model No. may contain prefix and/or suffix characters)

Catalog No : 121938.00

Rework No : N/A

Directives :

Low Voltage Directive 2014/35/EU

Harmonized Standards Used :

EN 60034-1: 2010 (IEC 60034-1: 2010)

EN 60034-5: 2001/A1:2007 (IEC 60034-5: 2000/A1:2006)

Authorized Representative:



Michael A. Logsdon  
Vice President, Technology

Authorized Representative in the Community:



Julian Clark  
Marketing Engineer

Created on 09/01/2022

**CE 22**