

PRODUCT INFORMATION PACKET



Model No: 110144.00

Catalog No: 110144.00

General Purpose Motor, 0.50 & 0.50 HP, 3 Ph, 60 & 50 Hz, 230/460 & 190/380 V, 3600 & 3000 RPM,
56C Frame, TENV

Operational at 208-230/460 V @60HZ



Regal and Leeson are trademarks of Regal Rexnord Corporation or one of its affiliated companies.
©2023 Regal Rexnord Corporation, All Rights Reserved. MC017097E



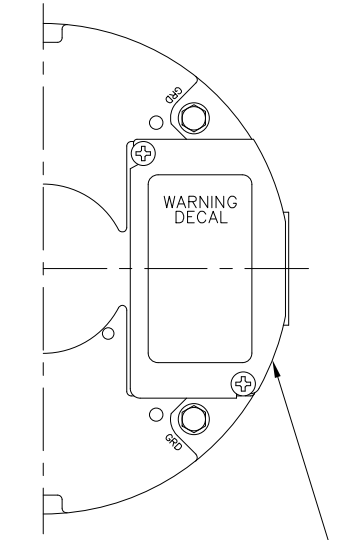
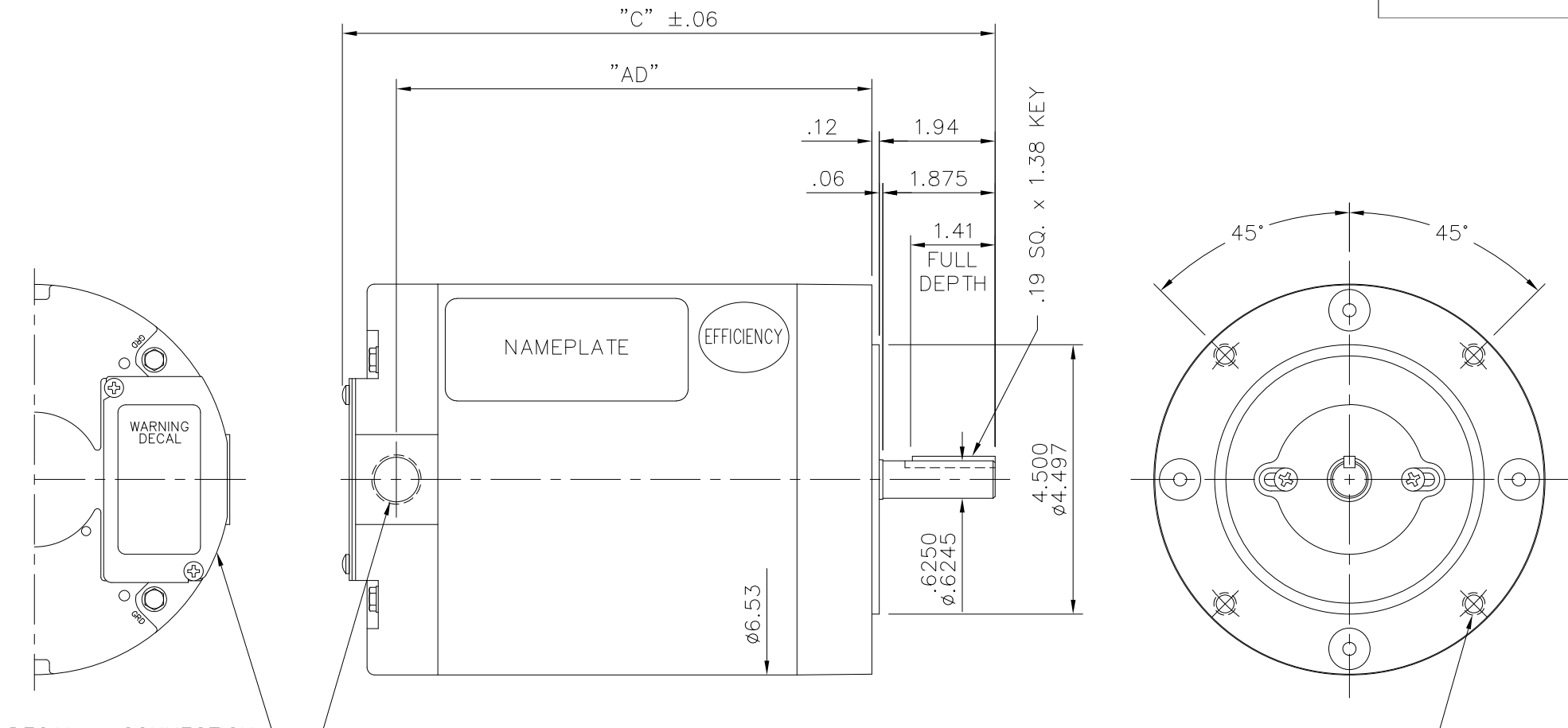


Nameplate Specifications

Phase	3	Output HP	0.50 & 0.50 Hp
Output KW	0.37 & 0.37 kW	Voltage	230/460 & 190/380 V
Speed	3450 & 2850 rpm	Service Factor	1.15 & 1.0
Frame	56C	Enclosure	Totally Enclosed Non Ventilated
Thermal Protection	No Protection	Efficiency	82.5 & 70 %
Ambient Temperature	40 °C	Frequency	60 & 50 Hz
Current	1.6/.8 & 1.8/.9 A	Power Factor	79
Duty	Continuous	Insulation Class	F
Design Code	B	KVA Code	M
Drive End Bearing Size	6203	Opp Drive End Bearing Size	6203
UL	Recognized	CSA	Y
CE	Y	IP Code	43
Number of Speeds	1		

Technical Specifications

Electrical Type	Squirrel Cage Induction Run	Starting Method	Across The Line
Poles	2	Rotation	Reversible
Resistance Main	31.2 Ohms	Mounting	Round
Motor Orientation	Horizontal	Drive End Bearing	Ball
Opp Drive End Bearing	Ball	Frame Material	Rolled Steel
Shaft Type	NEMA 56	Overall Length	10.40 in
Frame Length	5.50 in	Shaft Diameter	0.625 in
Shaft Extension	1.88 in	Assembly/Box Mounting	F1 ONLY
Outline Drawing	028501-550	Connection Drawing	005010.01



DASH NO.	"C"	"AD"
500	9.90	6.94
550	10.40	7.44
600	10.90	7.94
650	11.40	8.44
700	11.90	8.94
750	12.40	9.44
800	12.90	9.94

(4) 3/8-16 UNC-2B X .56 DEEP ON A $\phi 5.875$ B.C.

GASKETS THROUGHOUT
 MAXIMUM FACE RUNOUT TO BE .004 T.I.R.
 MAXIMUM PILOT ECCENTRICITY .004 T.I.R.
 PERMISSIBLE SHAFT RUNOUT .002 T.I.R.

				TOLERANCES UNLESS SPECIFIED		LEESON ELECTRIC MOTORS GEARMOTORS AND DRIVES		DRAWN BJB 06/05/03		
				DEC.	INCHES	TITLE OUTLINE - 56 FRAME T.E.N.V. - "C" FACE		CHK		
				.X	±.1			APPD		
				.XX	±.03			SCALE 3=8		
				.XXX	±.005			REF 034946		
02	ADDED MYLAR PLATE & DECALS(ECR-0221003)	AP 8/30/22	PP	.XXXX	±.0005	MAT'L.	GENERAL PURPOSE	FMF		
NO.	REVISION	BY & DATE	CHK	ANG	±1/2"	FINISH		PREV		
THIS DRAWING IN DESIGN AND DETAIL IS OUR PROPERTY AND MUST NOT BE USED EXCEPT IN CONNECTION WITH OUR WORK ALL RIGHTS OF DESIGN AND INVENTION ARE RESERVED THIS IS AN ELECTRONICALLY GENERATED DOCUMENT - DO NOT SCALE THIS PRINT				RFP		CAD FILE	028501	SIZE	DRAWING NO.	REV.
				DIST	BRF-NLV			A	028501	02

005010-01

VIEW FROM OUTSIDE OF MOTOR AT SWITCH END.



VOLTAGE	L1	L2	L3	JOIN & INSULATE
HIGH	T1	T2	T3	(T4,T7) (T5,T8) (T6,T9)
LOW	T1,T7	T2,T8	T3,T9	T4,T5,T6

				TOLERANCES UNLESS SPECIFIED		REGAL ™ Regal Beloit America, Inc.		DRAWN RDW 04/12/02		
				DEC.	INCHES			CHK		
				.X	±.1			APPD		
				.XX	±.01			SCALE 1=1		
				.XXX	±.005	TITLE		REF FIG.2-51		
A	UPDATED TO REGAL LOGO		SAJ 06/26/15	AJY .XXXX	±.0005	MAT'L.		FMF		
NO.	REVISION		BY & DATE	CHK	ANG ±1/2"	FINISH		PREV		
THIS DRAWING IN DESIGN AND DETAIL IS OUR PROPERTY AND MUST NOT BE USED EXCEPT IN CONNECTION WITH OUR WORK ALL RIGHTS OF DESIGN AND INVENTION ARE RESERVED THIS IS AN ELECTRONICALLY GENERATED DOCUMENT - DO NOT SCALE THIS PRINT				RFP	04/12/02	CAD FILE		SIZE	DRAWING NO.	REV.
				DIST	BRF-NLV	00501001		A	005010-01	A

Data Sheet

Date: 1/30/2018

110144.00



Data @ 460 V

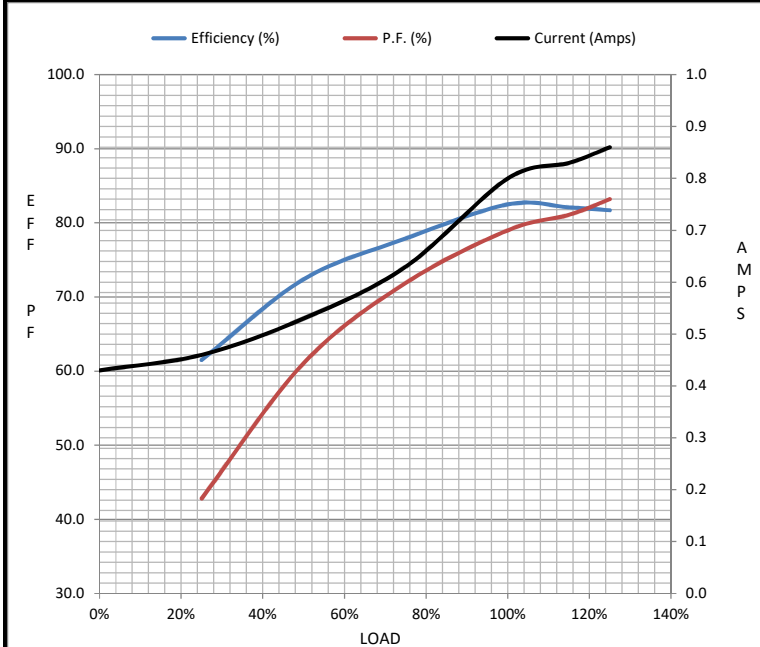
Motor Load Data

Load	0%	25%	50%	75%	100%	115%	125%	LR
Current (Amps)	0.43	0.46	0.53	0.63	0.80	0.83	0.86	7.0
Torque (ft-lb)	0.00	0.19	0.37	0.56	0.75	0.85	0.94	2.53
RPM	3600	3576	3556	3535	3510	3,502	3489	0
Efficiency (%)		61.5	72.4	77.9	82.5	82.1	81.7	
P.F. (%)	24.5	42.8	61.1	71.9	79.0	81.1	83.2	0.0

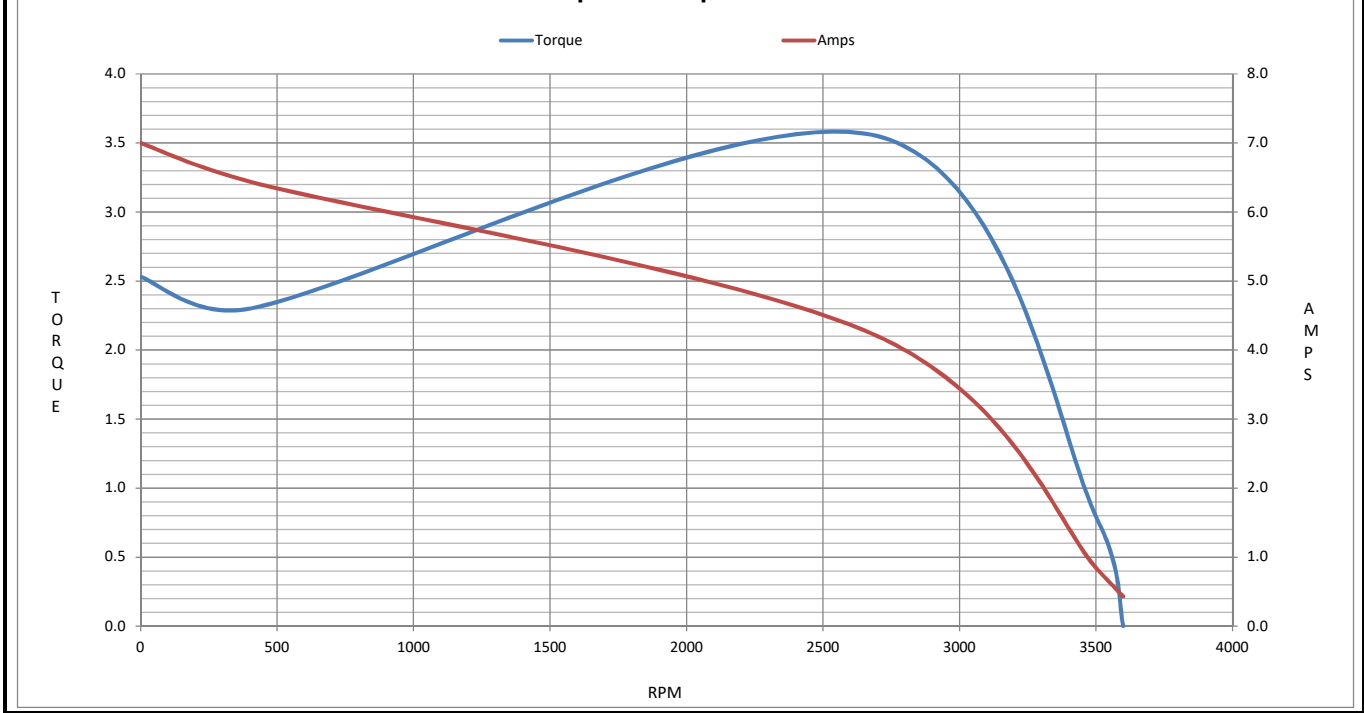
Motor Speed Data

	LR	Pull-Up	BD	Rated	Idle
Speed (RPM)	0	400	2700	3510	3600
Current (Amps)	7.0	6.4	4.2	0.80	0.43
Torque (ft-lb)	2.53	2.30	3.6	0.75	0.00

Information Block				
HP	0.5			
Sync. RPM	3600			
Frame	140			
Enclosure	TENV			
Construction	TTW			
Voltage	208-230/460 V			
Frequency	60 Hz			
Design	B			
LR Code letter	M			
Service Factor	1.15			
Temp Rise @ FL	60 °C			
Duty	CONT			
Ambient	40 °C			
Elevation	1,000 feet			
Rotor/Shaft wk ²	0.04 Lb-Ft ²			
Ref Wdg	T632165 NR			
Sound Pressure @ 1M	65 dBA			
VFD Rating	NONE			
Outline Dwg	028501-550			
Conn. Diag	005010.01			
Additional Specifications:				
0				
0				
EQUIV CKT (OHMS / PHASE)				
R1	R2	X1	X2	Xm
0.0000	0.0000	0.0000	0.0000	0.0000



Speed - Torque Curve



EC Declaration of Conformity

The undersigned representing
the manufacturer:

Regal Beloit America
100 East Randolph St.
Wausau, WI 54401

and the authorized representative
established within the Community:

Marathon Electric UK
6F Thistleton Road Ind. Estate
Market Overton
Oakham, Rutland LE15 7PP UK

are committed to providing customers with products that comply with applicable regulations and international protocols to which they are subject, including the requirements of the European Parliament Directive on the Harmonization of the laws relating to electrical equipment designed for use within certain voltage limits (2014/35/EU).

Regal Beloit America declares that the following product(s), to which this declaration relates, are in conformity with the relevant sections of the EC standards listed below.

This statement supersedes any statements previously issued pertaining to the product(s) listed below and is subject to change without notice.

Model No : 110144.00

(Model No. may contain prefix and/or suffix characters)

Catalog No : 110144.00

Rework No : N/A

Directives :

Low Voltage Directive 2014/35/EU

Harmonized Standards Used :

EN 60034-1: 2010 (IEC 60034-1: 2010)

EN 60034-5: 2001/A1:2007 (IEC 60034-5: 2000/A1:2006)

Authorized Representative:



Michael A. Logsdon
Vice President, Technology

Authorized Representative in the Community:



Julian Clark
Marketing Engineer

Created on 09/01/2022

CE 22