

# PRODUCT INFORMATION PACKET



Model No: 110108.00

Catalog No: 110108.00

General Purpose Motor, 0.75 HP, 1 Ph, 60 Hz, 115/230 V, 3600 RPM, 56 Frame, TEFC

**Operational at 115/208-230 V @60HZ**



Regal and Leeson are trademarks of Regal Rexnord Corporation or one of its affiliated companies.

©2023 Regal Rexnord Corporation, All Rights Reserved. MC017097E





**Nameplate Specifications**

Phase	1	Output HP	0.75 Hp
Output KW	0.56 kW	Voltage	115/230 V
Speed	3450 rpm	Service Factor	1.15
Frame	56	Enclosure	Totally Enclosed Fan Cooled
Thermal Protection	Manual	Efficiency	64 %
Ambient Temperature	40 °C	Frequency	60 Hz
Current	10.0/5.0 A	Power Factor	76
Duty	Continuous	Insulation Class	B
Design Code	L	KVA Code	L
Drive End Bearing Size	6203	Opp Drive End Bearing Size	6203
UL	Recognized	CSA	Y
CE	N	IP Code	43
Number of Speeds	1		

**Technical Specifications**

Electrical Type	Capacitor Start Induction Run	Starting Method	Across The Line
Poles	2	Rotation	Selective Counterclockwise
Resistance Main	2.4 Ohms	Mounting	Rigid Base
Motor Orientation	Horizontal	Drive End Bearing	Ball
Opp Drive End Bearing	Ball	Frame Material	Rolled Steel
Shaft Type	NEMA 56	Overall Length	11.48 in
Frame Length	6.00 in	Shaft Diameter	0.625 in
Shaft Extension	1.88 in	Assembly/Box Mounting	F1 ONLY
Connection Drawing	005003.03	Outline Drawing	028793-600B

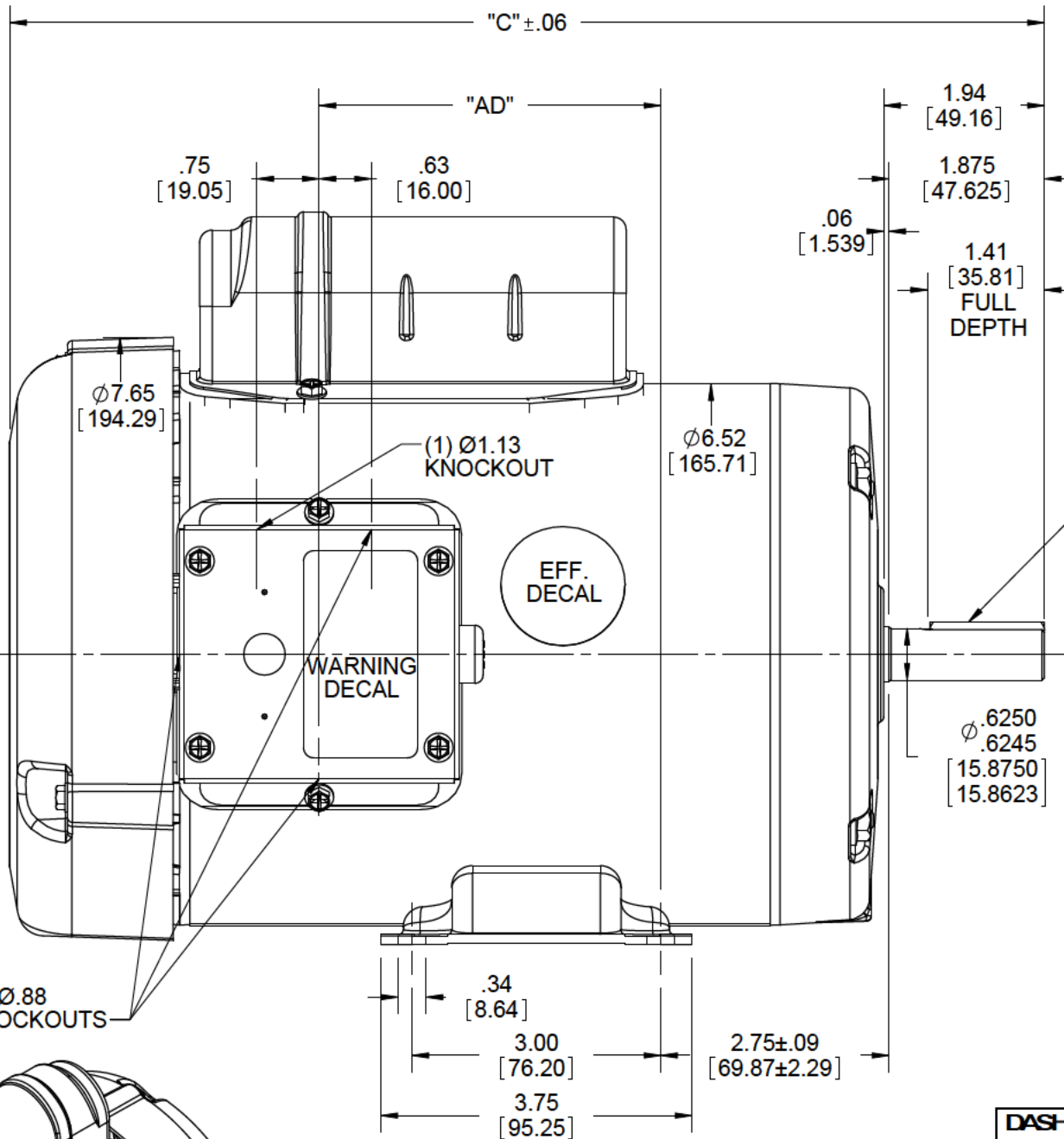
4

3

Uncontrolled Copy

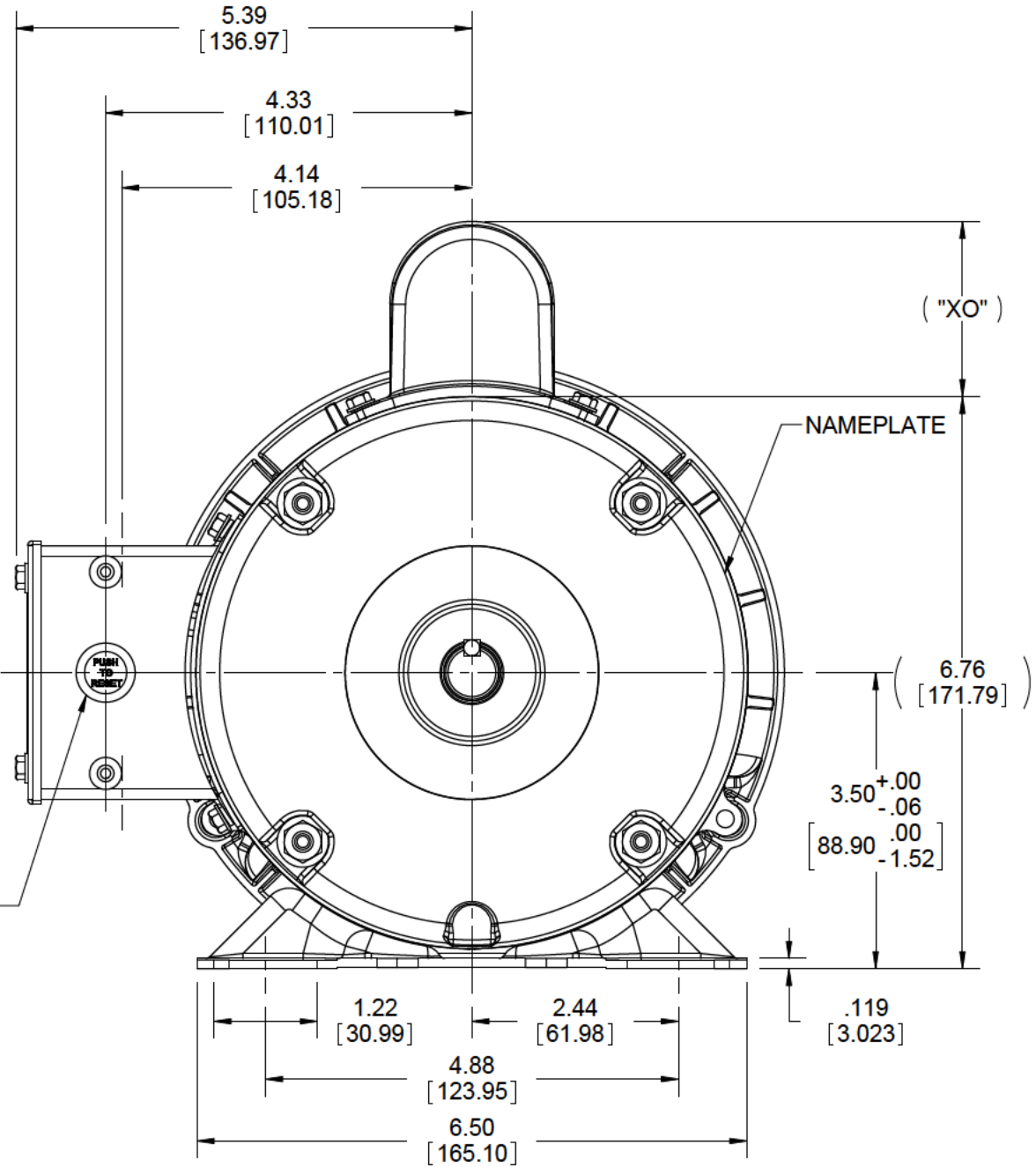
2

1



.19 SQ. x 1.38 KEY

MANUAL OVERLOAD WITH BUTTON COVER

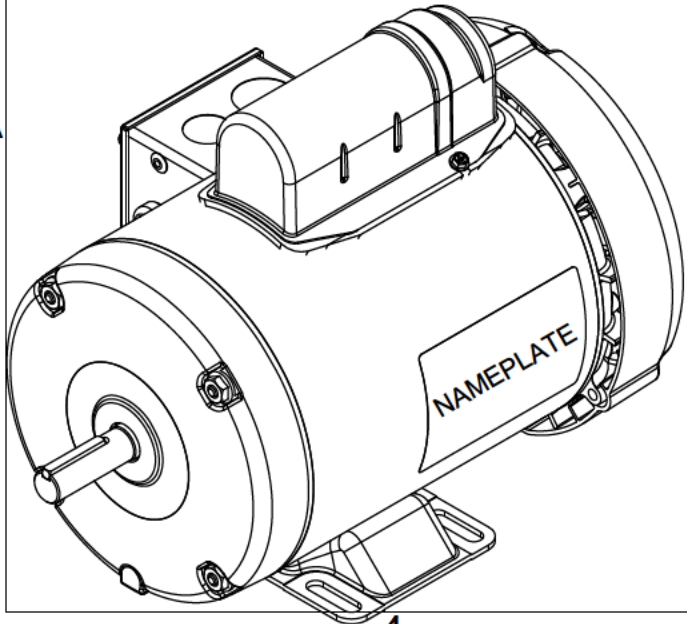


B

B

A

A



DASH NO.	"C"	"AD"		
500	10.48	2.13	CAP	"XO"
550	10.98	2.63	DASH	
600	11.48	3.13	A	1.61
650	11.98	3.63	B	2.08
700	12.48	4.13	C	2.32

NOTES:  
1) GASKETS THROUGHOUT

ORACLE REV	02
------------	----

DRAWING REVISION D	REVISION BY M. MCCALED	DATE 8/4/14
ECO ECO-0056788	APPROVED BY G. SCHALLOCK	DATE 8/4/14
ECO DESCRIPTION <b>ADDED T-BOLT NUTS</b> <small>COPYRIGHT REGAL BELOIT AMERICA, INC. ALL RIGHTS RESERVED. PROPRIETARY AND CONFIDENTIAL INFORMATION - THIS DOCUMENT IS THE PROPERTY OF REGAL BELOIT AMERICA, INC. ("OWNER") AND CONTAINS OWNER'S PROPRIETARY INFORMATION. ANY PERSON, CORPORATION OR OTHER FIRM RECEIVING IT IS DEEMED, BY RECEIVING IT, TO AGREE THAT IT, AND/OR ANY PART OF IT, SHALL NOT BE DISCLOSED TO ANY PERSON, CORPORATION OR OTHER ENTITY, DUPLICATED, AND/OR USED, EXCEPT AS EXPRESSLY APPROVED IN WRITING IN ADVANCE BY OWNER. THIS DOCUMENT SHALL BE RETURNED TO OWNER UPON REQUEST. IT MAY BE SUBJECT TO CERTAIN RESTRICTIONS UNDER APPLICABLE EXPORT CONTROL LAWS AND REGULATIONS.</small>		

TOLERANCES UNLESS OTHERWISE SPECIFIED:			
DEC	INCH	mm	ANGLE
X	±0.1	[±2.5]	±0.5°
XX	±0.03	[±0.76]	
XXX	±0.005	[±0.127]	
XXXX	±0.0005	[±0.0127]	
REMOVE BURRS & BREAK SHARP EDGES: .003/.015 [0.076/.381] CORNER FILLETS: .02 [0.51] MACHINED SURFACES: 125 INCH 3.2 mm SHOWN IN [BRACKETS]			

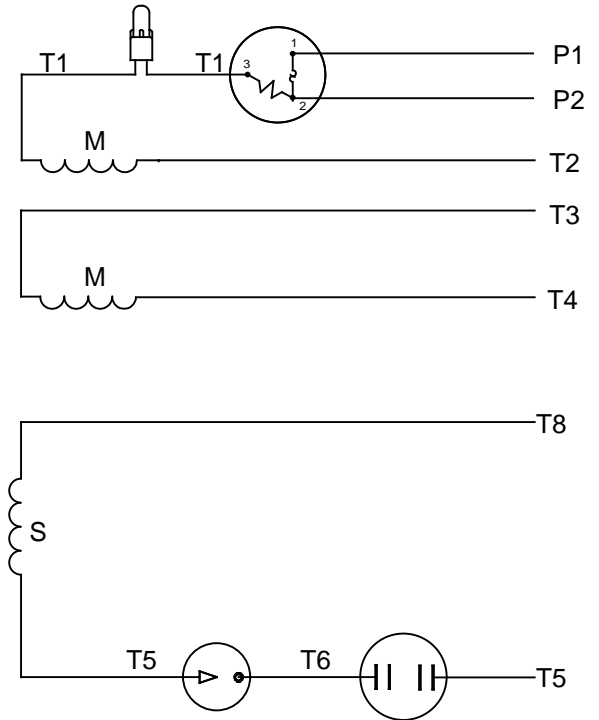
DRAWN BY KMM 09/11/07	DATE
APPROVED BY	DATE
REFERENCE	DATE
THIRD ANGLE PROJECTION	

Regal Beloit America, Inc.	
DESCRIPTION	
<b>OUTLINE</b> TEFC - RIGID - 56 FRAME	
MATERIAL	PROCESS/FINISH
SIZE B	DRAWING NUMBER 028793
	SHEET 1 OF 1

# VIEW FROM OUTSIDE OF MOTOR AT SWITCH END



# LINE LEADS



RBC PROPRIETARY AND CONFIDENTIAL INFORMATION  
 This document is the property of REGAL BELOIT CORPORATION ("RBC") including its subsidiaries and divisions and contains proprietary information of RBC. This document is loaned on the express condition that neither it nor the information contained therein shall be disclosed to others without the express written consent of RBC, and that the information shall be used by the recipient only as approved expressly by RBC. This document shall be returned to RBC upon its request. This document may be subject to certain restrictions under U.S. export control laws and regulations.

	ROTATION FACING LEAD END	L1	L2	JOIN	INSULATE SEPARATELY
HIGH VOLT	C.C.W.	P1	T4 T5	T2,T3 T8	P2
	C.W.	P1	T4 T8	T2,T3 T5	P2
LOW VOLT	C.C.W.	P1	T2,T4 T5	P2,T3 T8	---
	C.W.	P1	T2,T4 T8	P2,T3 T5	---

		TOLERANCES UNLESS SPECIFIED		LEESON	ELECTRIC MOTORS GEARMOTORS AND DRIVES	DRAWN		
NO	REVISION	DEC	INCHES			WLV	08/20/79	
		.X	±.1			CHK	ADN 08/27/76	
		.XX	±.01			APPR	WRK 08/27/76	
06	REDRAWN IN SOLIDWORKS	VJB	7/22/2011	.XXX	±.005	TITLE	EXTERNAL WIRING DIAGRAM TYPE "C" W/PROTECTOR	
05	REDRAWN ON CAD	DBT	05/27/97	.XXXX	±.0005	MAT'L	DECAL - 004011	
				CHK	ANG	±1/2°	SCALE	1:1
				RFP	PREV		REF	
							FMF	
							PAGE	OF
THIRD ANGLE PROJECTION				NETWORK FILE NAME	00500303	SIZE	DRAWING NO	REV
						A	005003-03	06



1051 CHEYENNE AVE.  
GRAFTON, WI 53024  
PH. 262-377-8810

**CERTIFICATION DATA SHEET**

**CONN. DIAGRAM:** 005003.03  
**OUTLINE:** 028793-600B  
**WINDING #:** C632210 3 A

**CATALOG #:** 110108.00  
**MOUNTING:** F1 ONLY

**TYPICAL MOTOR PERFORMANCE DATA**

HP	kW	SYNC. RPM	F.L. RPM	FRAME	ENCLOSURE	KVA CODE	DESIGN
3/4	0.56	3600	3450	56	TEFC	L	L

PH	Hz	VOLTS	AMPS	START TYPE	DUTY	INSL	S.F.	AMB°C
1	60	115/208-230	10/5.2-5	ACROSS THE LINE	CONTINUOUS	B4	1.15	40

FULL LOAD EFF:	64	3/4 LOAD EFF:	58.6	1/2 LOAD EFF:	50.3	GTD. EFF	ELEC. TYPE
FULL LOAD PF:	76	3/4 LOAD PF:	73	1/2 LOAD PF:	65.4	59.5	CAP START IND RUN

F.L. TORQUE	LOCKED ROTOR AMPS	L.R. TORQUE	B.D. TORQUE	F.L. RISE°C
18 OZ-FT	60 / 30	64 OZ-FT 356 %	48 OZ-FT 267 %	55

SOUND PRESSURE @ 3 FT.	SOUND POWER	ROTOR WK^2	MAX. WK^2	SAFE STALL TIME	STARTS / HOUR	APPROX. MOTOR WGT
0 dBA	10 dBA	0.042 LB-FT^2	0 LB-FT^2	10 SEC.	0	29 LBS.

**\*\*\* SUPPLEMENTAL INFORMATION \*\*\***

DE BRACKET TYPE	ODE BRACKET TYPE	MOUNT TYPE	ORIENTATION	SEVERE DUTY	HAZARDOUS LOCATION	DRIP COVER	SCREENS	PAINT
STANDARD	STANDARD	RIGID	HORIZONTAL	FALSE	NONE	FALSE	NONE	BLUE - LEESON (ENAMEL)

BEARINGS		GREASE	SHAFT TYPE	SPECIAL DE	SPECIAL ODE	SHAFT MATERIAL	FRAME MATERIAL
DE	ODE						
BALL	BALL	POLYREX EM	STANDARD 56	NONE	NONE	1144 STRESSPROOF (C-223)	ROLLED STEEL
6203	6203						

THERMO-PROTECTORS				THERMISTORS	CONTROL	SPACE HEATERS
THERMOSTATS	PROTECTORS	WDG RTDs	BRG RTDs			
NONE	MANUAL	NONE	NONE	NONE	FALSE	NONE VOLTS

* N O T E S *	<b>INVERTER TORQUE:</b> NONE
	<b>INV. HP SPEED RANGE:</b> NONE
	<b>ENCODER:</b> NONE NONE NONE NONE NONE PPR
<b>BRAKE:</b> NONE NONE NONE P/N NONE NONE NONE NONE FT-LB NONE V NONE Hz	



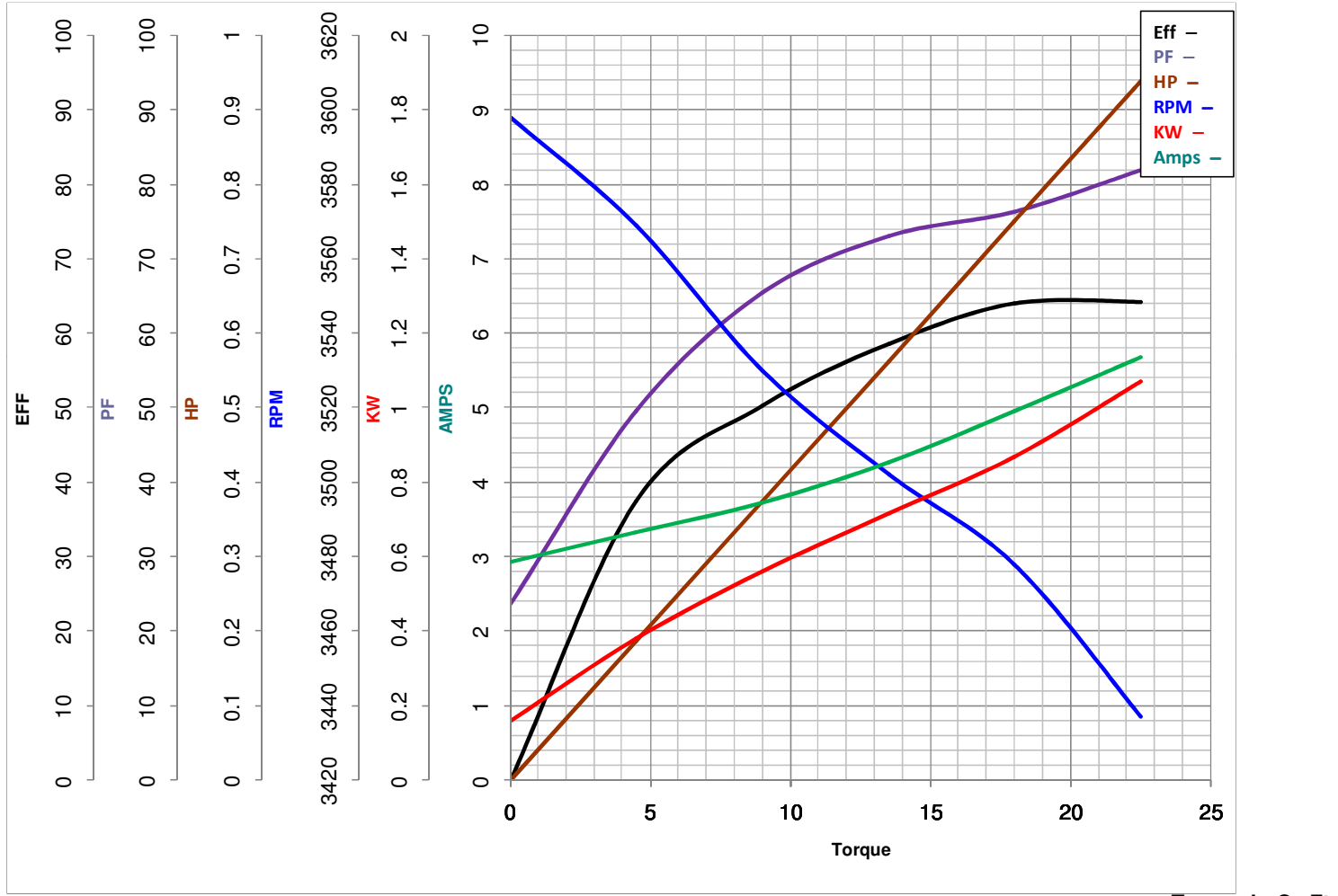
**LEESON ELECTRIC CORPORATION**  
 TYPICAL PERFORMANCE CURVE for AC MOTOR

Model No 110108.00

Catalog No 110108.00

Curve at 230 Volts      HP 0.76      PHASE 1  
60 HZ  
0.75 HP      VOLTS 115/208-230

HZ 60      RPM 3450



FL TORQUE	<u>18</u>	Oz.Ft	FL AMPS	<u>10/5.2-5</u>	
BD TORQUE	<u>48.0</u>	Oz.Ft	PU TORQUE	<u>45.0</u>	Oz.Ft
LR TORQUE	<u>64</u>	Oz.Ft	LR AMPS	<u>30</u>	
WINDING	C632210-3		Date	3/22/2018	