

PRODUCT INFORMATION PACKET



Model No: 100361.00

Catalog No: 100361.00

General Purpose Motor, 0.25 HP, 1 Ph, 60 Hz, 115/230 V, 1800 RPM, 48 Frame, TENV

Operational at 115/208-230 V @60HZ



Regal and Leeson are trademarks of Regal Rexnord Corporation or one of its affiliated companies.

©2023 Regal Rexnord Corporation, All Rights Reserved. MC017097E



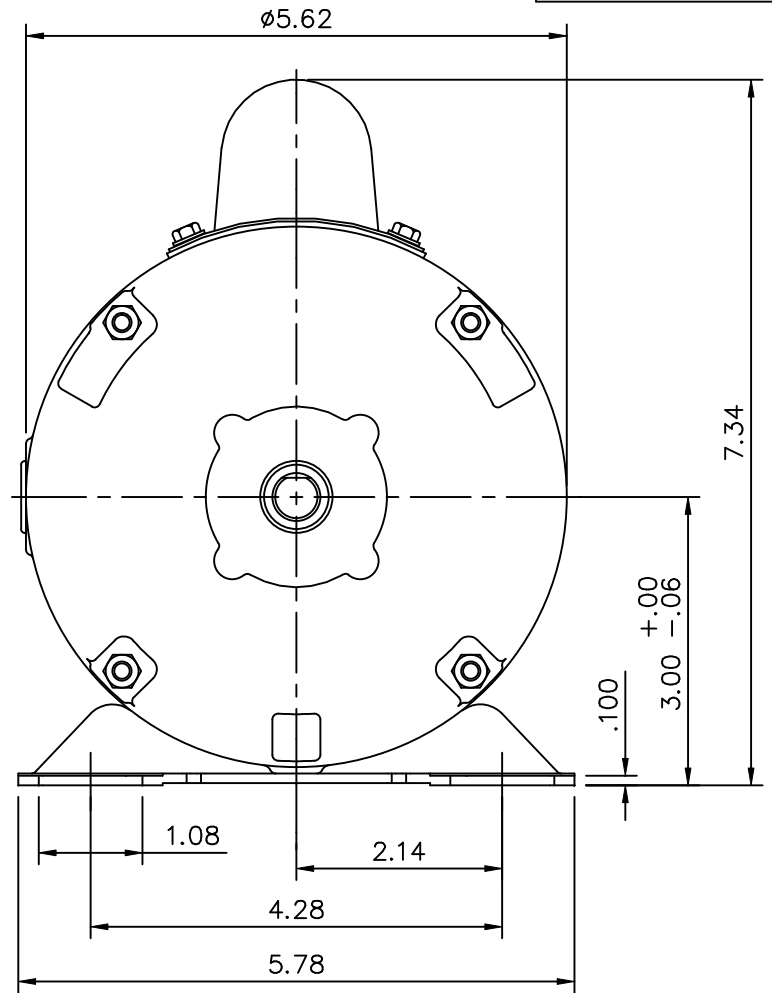
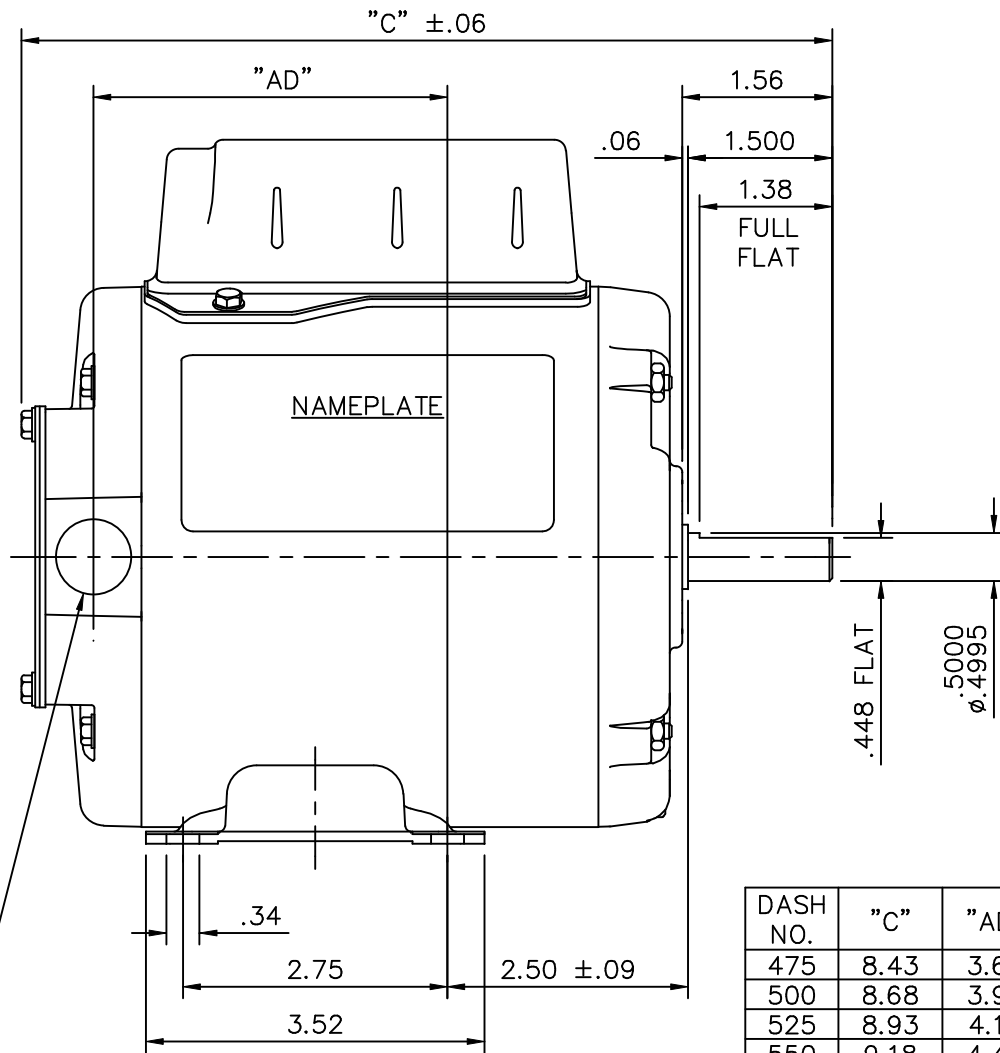


Nameplate Specifications

Phase	1	Output HP	0.25 Hp
Output KW	0.19 kW	Voltage	115/230 V
Speed	1725 rpm	Service Factor	1.15
Frame	48	Enclosure	Totally Enclosed Non Ventilated
Thermal Protection	No Protection	Efficiency	62 %
Ambient Temperature	40 °C	Frequency	60 Hz
Current	4.6/2.3 A	Power Factor	57
Duty	Continuous	Insulation Class	B
Design Code	N	KVA Code	N
Drive End Bearing Size	6203	Opp Drive End Bearing Size	6203
UL	Recognized	CSA	Y
CE	N	IP Code	43
Number of Speeds	1		

Technical Specifications

Electrical Type	Capacitor Start Induction Run	Starting Method	Across The Line
Poles	4	Rotation	Selective Counterclockwise
Resistance Main	59.9 Ohms	Mounting	Rigid Base
Motor Orientation	Horizontal	Drive End Bearing	Ball
Opp Drive End Bearing	Ball	Frame Material	Rolled Steel
Shaft Type	NEMA 48	Overall Length	9.43 in
Frame Length	5.75 in	Shaft Diameter	0.500 in
Shaft Extension	1.5 in	Assembly/Box Mounting	F1 ONLY
Outline Drawing	031714-575	Connection Drawing	005005.44

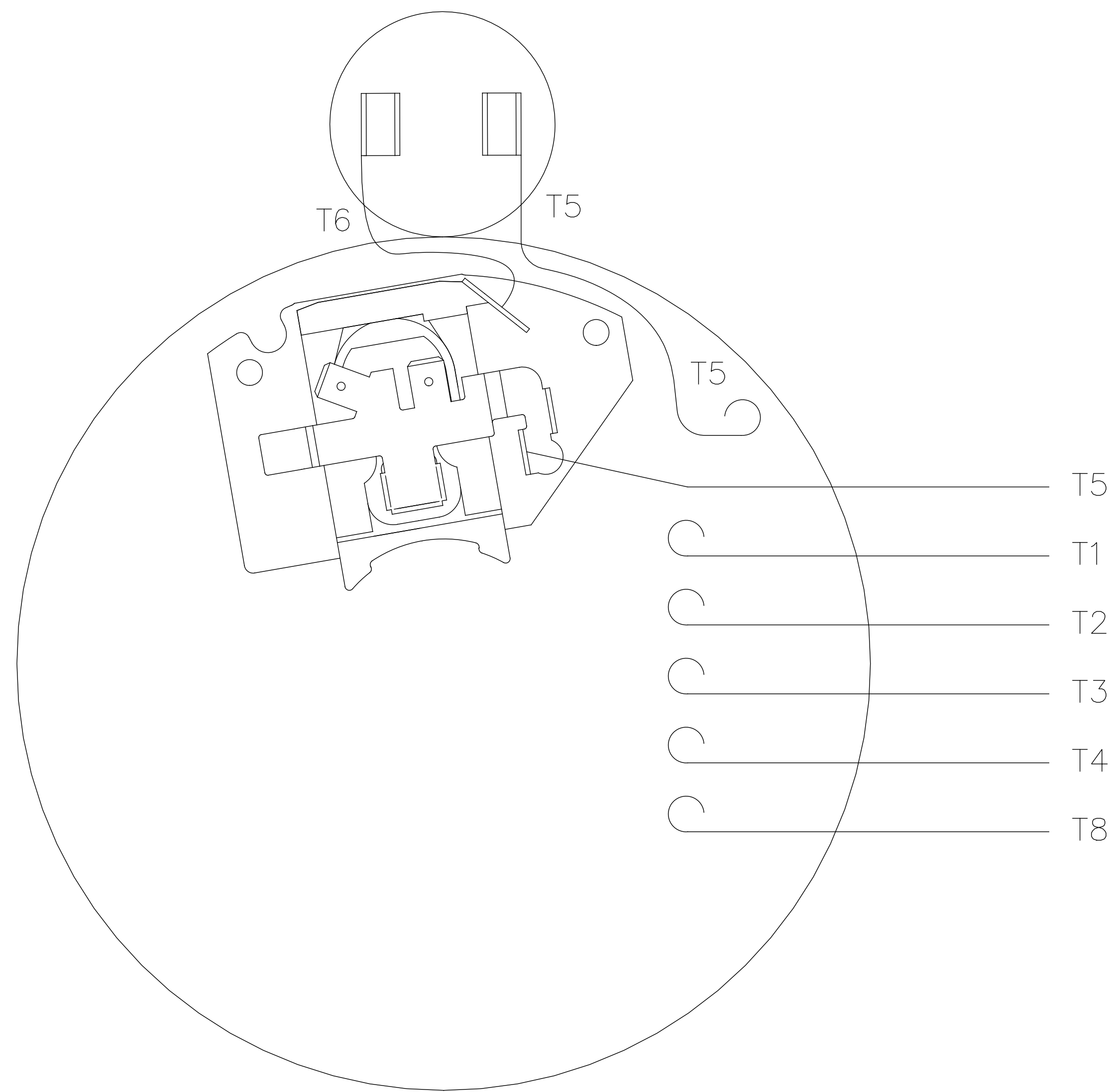


DASH NO.	"C"	"AD"
475	8.43	3.68
500	8.68	3.93
525	8.93	4.18
550	9.18	4.43
575	9.43	4.68
600	9.68	4.93
625	9.93	5.18
650	10.18	5.43
675	10.43	5.68

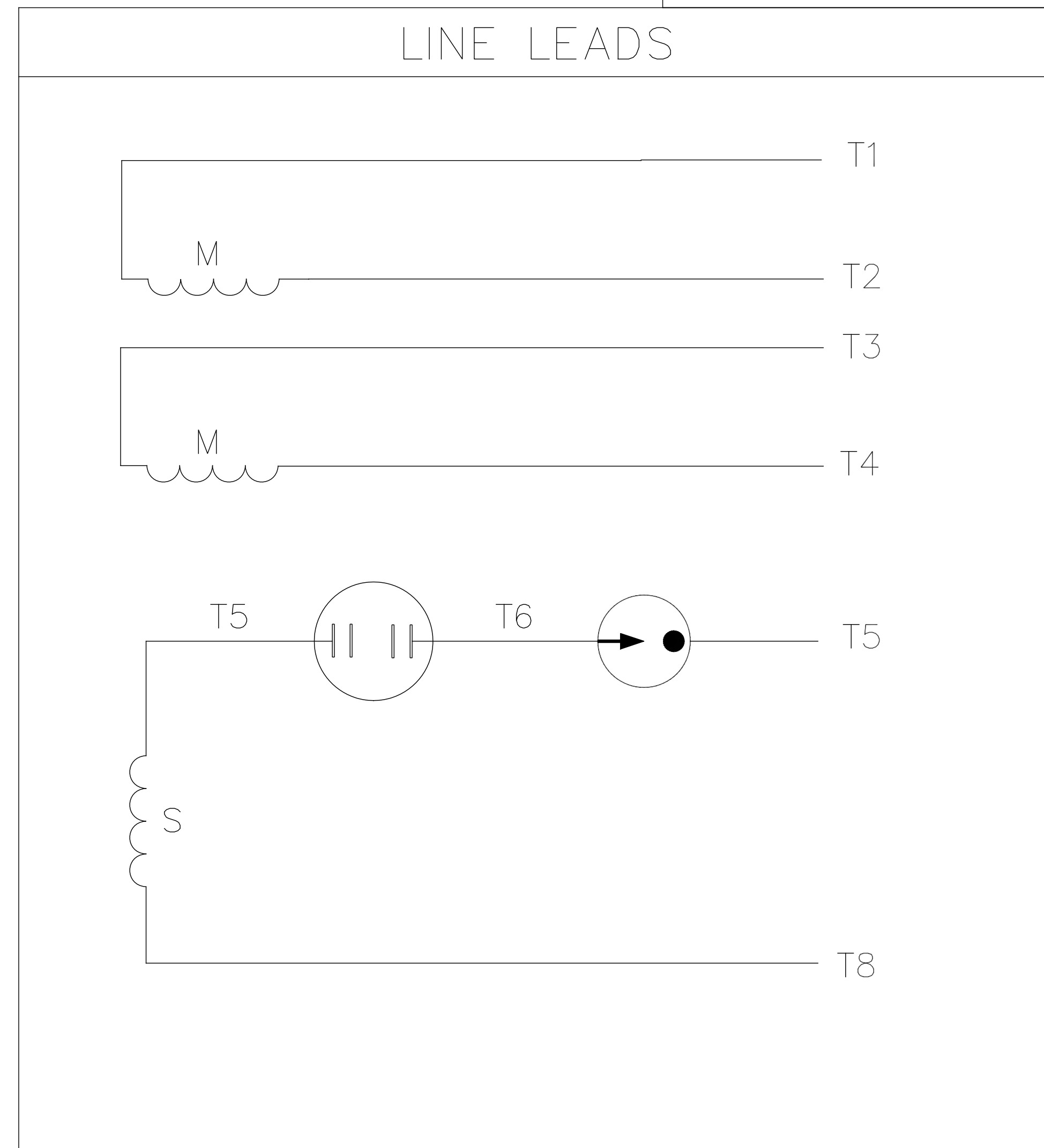
1/2-14 NPT
CONDUIT HOLE
(PLUGGED)

GASKETS THROUGHOUT


				TOLERANCES UNLESS SPECIFIED		ELECTRIC MOTORS GEARMOTORS AND DRIVES	DRAWN PG 10/3/02
				DEC.	INCHES		CHK
				.X	±.1		APPD
				.XX	±.03		SCALE 1=2
				.XXX	±.005		REF 031086
				.XXXX	±.0005	MAT'L. 1 PHASE	FMF 100361.00
NO.	REVISION	BY & DATE	CHK	ANG	±1/2"	FINISH	PREV
THIS DRAWING IN DESIGN AND DETAIL IS OUR PROPERTY AND MUST NOT BE USED EXCEPT IN CONNECTION WITH OUR WORK ALL RIGHTS OF DESIGN AND INVENTION ARE RESERVED THIS IS AN ELECTRONICALLY GENERATED DOCUMENT - DO NOT SCALE THIS PRINT				RFP	CAD FILE	031714	SIZE A
				DIST	DRAWING NO. 031714		REV.



VIEW FROM OUTSIDE OF MOTOR AT SWITCH END



	ROTATION FACING LEAD END	L1	L2	JOIN
HIGH VOLT	C.C.W.	T1	T4,T5	T2,T3 T8
	C.W.	T1	T4,T8	T2,T3 T5
LOW VOLT	C.C.W.	T1 T3,T8	T2,T4 T5	
	C.W.	T1 T3,T5	T2,T4 T8	

				TOLERANCES UNLESS OTHERWISE SPECIFIED			 Regal Beloit America, Inc.				
				DEC.	INCHES	METRIC					
				.X	±.1	±.25	DRAWN	PG 5/7/01	TITLE		EXTERNAL WIRING DIAGRAM TYPE "C" W/O PROTECTOR
				.XX	±.01	±.25	APPR.		MAT'L.		DUAL VOLTAGE - DUAL ROTATION
01	MOVED T5 TO "INSIDE" SWITCH TERMINAL	PG 8/2/01		.XXX	±.005	±.127	R.F.P.				
NO.	REVISION	BY & DATE	CH'K'D.	.XXXX	±.0005	±.0127	SCALE	5=8			
THIS DRAWING IN DESIGN AND DETAIL IS OUR PROPERTY AND MUST NOT BE USED EXCEPT IN CONNECTION WITH OUR WORK ALL RIGHTS OF DESIGN AND INVENTION ARE RESERVED THIS IS AN ELECTRONICALLY GENERATED DOCUMENT - DO NOT SCALE THIS PRINT				FRACTIONS	±1/64		REF.	005005-01	FINISH	REV.	DRAWING NO.
				ANGLES	±1/2°		FMF	100006		01	005005-44



CERTIFICATION DATA SHEET

**1051 CHEYENNE AVE.
GRAFTON, WI 53024
PH. 262-377-8810**

CONN. DIAGRAM: 005005.44

CATALOG #: 100361.00

OUTLINE: 031714-575

MOUNTING: F1 ONLY

WINDING #: CE484249 3 B

TYPICAL MOTOR PERFORMANCE DATA

HP	kW	SYNC. RPM	F.L. RPM	FRAME	ENCLOSURE	KVA CODE	DESIGN
1/4	0.19	1800	1725	48	TENV	N	N

PH	Hz	VOLTS	AMPS	START TYPE	DUTY	INSL	S.F.	AMB°C
1	60	115/208-230	4.6/2.4-2.3	ACROSS THE LINE	CONTINUOUS	B3	1.15	40

FULL LOAD EFF:	62	3/4 LOAD EFF:	57.4	1/2 LOAD EFF:	49.8	GTD. EFF		ELEC. TYPE	
FULL LOAD PF:	57	3/4 LOAD PF:	50.2	1/2 LOAD PF:	41.3	57.5		CAP START IND RUN	

F.L. TORQUE	LOCKED ROTOR AMPS	L.R. TORQUE	B.D. TORQUE	F.L. RISE°C
12 OZ-FT	27 / 13.5	55 OZ-FT 458 %	37 OZ-FT 308 %	64.2

SOUND PRESSURE @ 3 FT.	SOUND POWER	ROTOR WK^2	MAX. WK^2	SAFE STALL TIME	STARTS / HOUR	APPROX. MOTOR WGT
0 dBA	10 dBA	-1 LB-FT^2	0 LB-FT^2	0 SEC.	0	20 LBS.

***** SUPPLEMENTAL INFORMATION *****

DE BRACKET TYPE	ODE BRACKET TYPE	MOUNT TYPE	ORIENTATION	SEVERE DUTY	HAZARDOUS LOCATION	DRIP COVER	SCREENS	PAINT
STANDARD	STANDARD	RIGID	HORIZONTAL	FALSE	NONE	FALSE	NONE	BLUE - LEESON (ENAMEL)

BEARINGS		GREASE	SHAFT TYPE	SPECIAL DE	SPECIAL ODE	SHAFT MATERIAL	FRAME MATERIAL
DE	ODE						
BALL	BALL	MULTEMP SRL	STANDARD 48	NONE	NONE	1144 STRESSPROOF (C-223)	ROLLED STEEL
6203	6203						

THERMO-PROTECTORS				THERMISTORS	CONTROL	SPACE HEATERS
THERMOSTATS	PROTECTORS	WDG RTDs	BRG RTDs			
NONE	NOT	NONE	NONE	NONE	FALSE	NONE VOLTS

*
N
O
T
E
S

INVERTER TORQUE: NONE
INV. HP SPEED RANGE: NONE
ENCODER: NONE
NONE NONE
NONE NONE PPR
BRAKE: NONE NONE
NONE P/N NONE
NONE NONE
NONE FT-LB NONE V NONE HZ

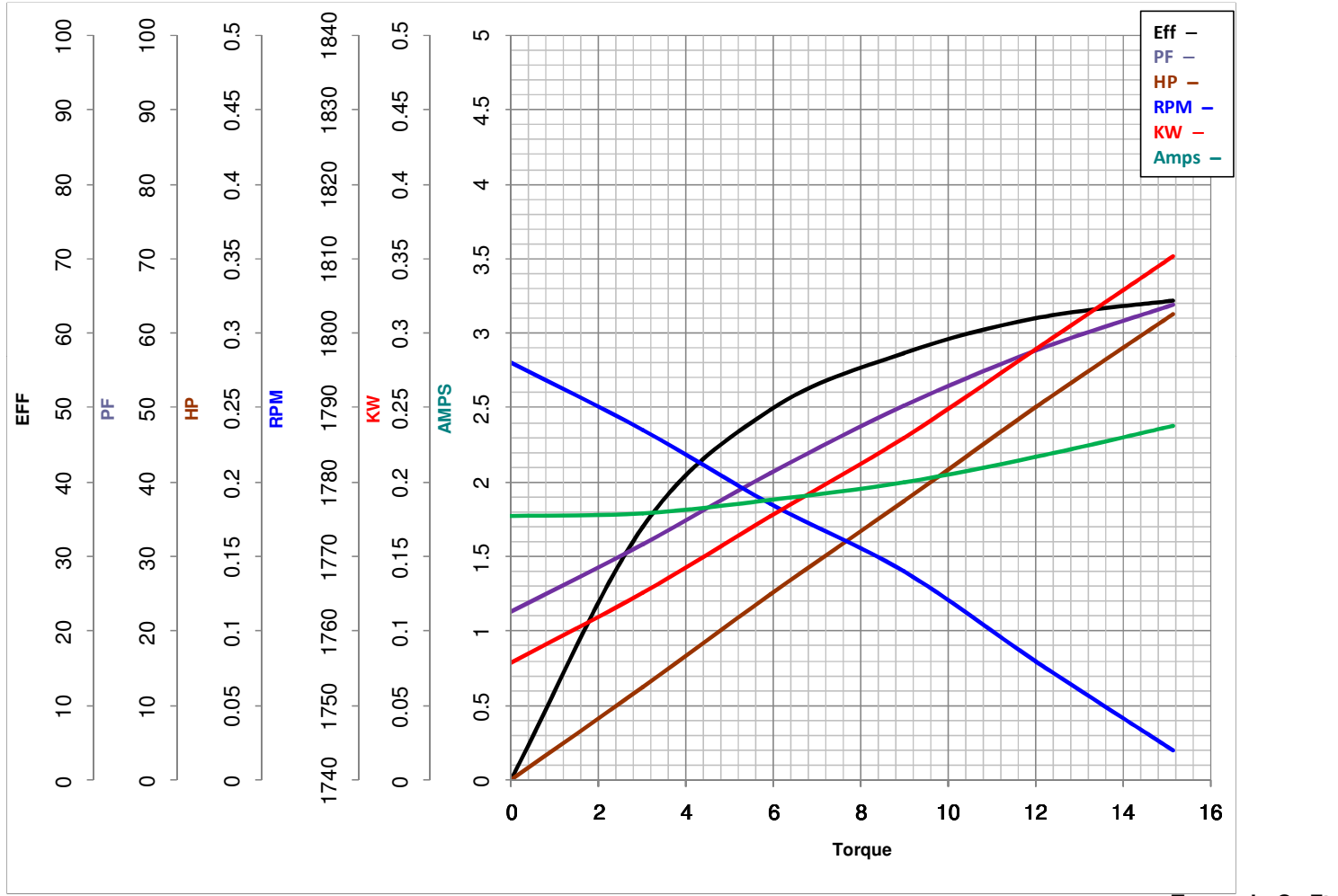


LEESON ELECTRIC CORPORATION
TYPICAL PERFORMANCE CURVE for AC MOTOR

Model No 100361.00

Catalog No 100361.00

Curve at 230 Volts HP 0.25 PHASE 1
60 HZ
0.25 HP VOLTS 115/208-230
HZ 60 RPM 1725



FL TORQUE	<u>12</u>	Oz.Ft	FL AMPS	<u>4.6/2.4-2.3</u>
BD TORQUE	<u>37.0</u>	Oz.Ft	PU TORQUE	<u>34.8</u> Oz.Ft
LR TORQUE	<u>55</u>	Oz.Ft	LR AMPS	<u>13.5</u>
WINDING	CE484249-3		Date	4/19/2018