

PRODUCT INFORMATION PACKET



Model No: 170015.60

Catalog No: 170015.60

WATTSaver® General Purpose Motor, 30 & 25 HP, 3 Ph, 60 & 50 Hz, 208-230/460 & 190/380 V,
1800 & 1500 RPM, 286T Frame, TEFC



Regal and Leeson are trademarks of Regal Rexnord Corporation or one of its affiliated companies.

©2023 Regal Rexnord Corporation, All Rights Reserved. MC017097E





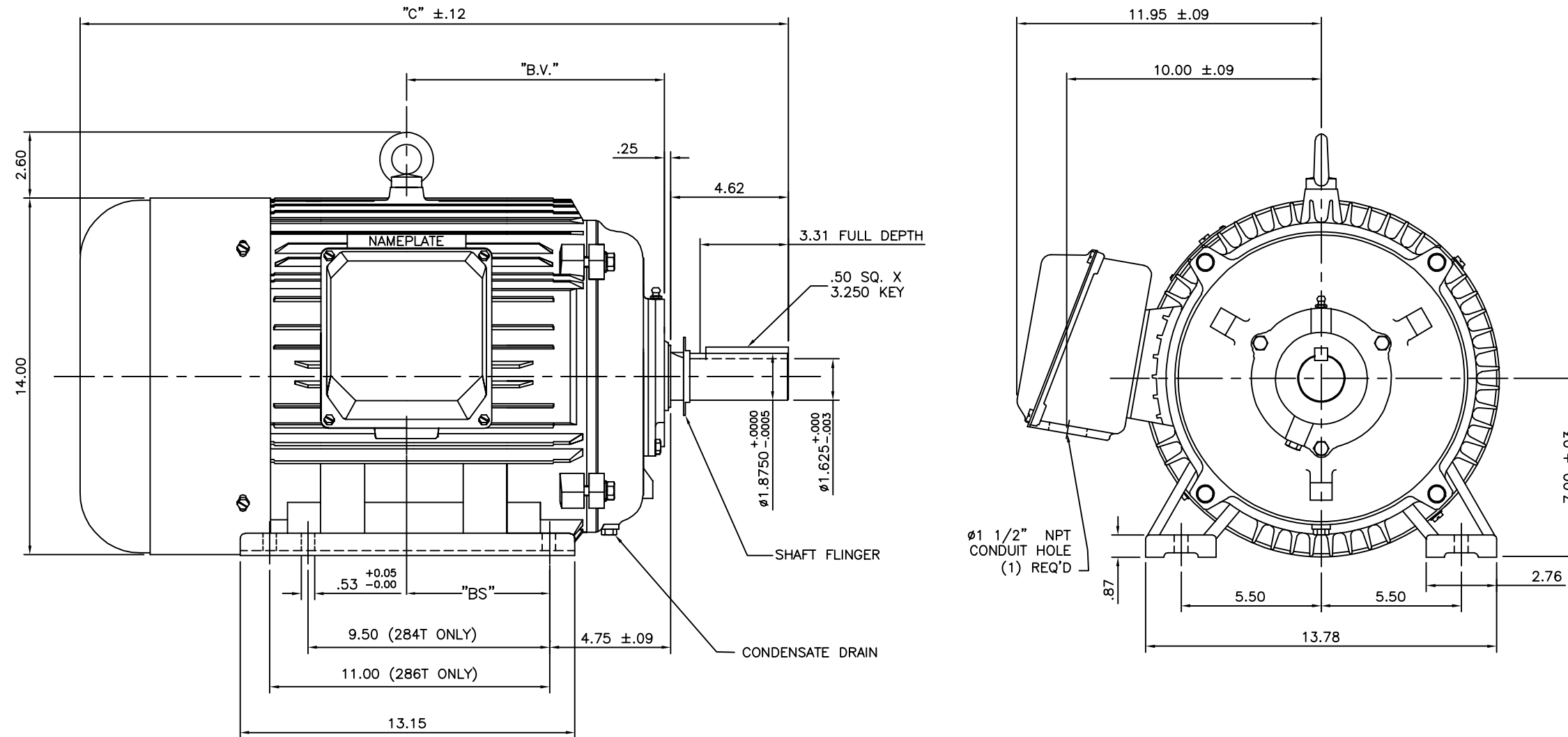
Nameplate Specifications

Phase	3	Output HP	30 & 25 Hp
Output KW	22.4 & 18.7 kW	Voltage	208-230/460 & 190/380 V
Speed	1770 & 1480 rpm	Service Factor	1.15 & 1.15
Frame	286T	Enclosure	Totally Enclosed Fan Cooled
Thermal Protection	Thermostat	Efficiency	94.1 & 93 %
Ambient Temperature	40 °C	Frequency	60 & 50 Hz
Current	76-70/35 & 71/35.5 A	Power Factor	85
Duty	Continuous	Insulation Class	F
Design Code	A	KVA Code	H
Drive End Bearing Size	6311	Opp Drive End Bearing Size	6309
UL	Recognized	CSA	Y
CE	Y	IP Code	43
Number of Speeds	1		

Technical Specifications

Electrical Type	Squirrel Cage Inverter Rated	Starting Method	Wye Start Delta Run Or Inverter
Poles	4	Rotation	Reversible
Resistance Main	.052 Ohms	Mounting	Rigid Base
Motor Orientation	Horizontal	Drive End Bearing	Ball
Opp Drive End Bearing	Ball	Frame Material	Cast Iron
Shaft Type	T	Overall Length	27.83 in
Shaft Diameter	1.875 in	Shaft Extension	4.62 in
Assembly/Box Mounting	F1/F2 CAPABLE	Inverter Load	CONSTANT 10:1
Connection Drawing	004172.01	Outline Drawing	16953960-286T

169539-60



NOTE: 286T HAS 6 MTG. HOLES, USING 284T AND 286T LOCATIONS

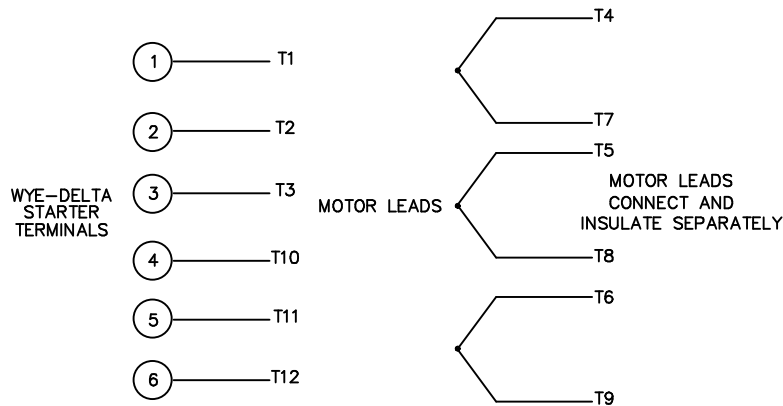
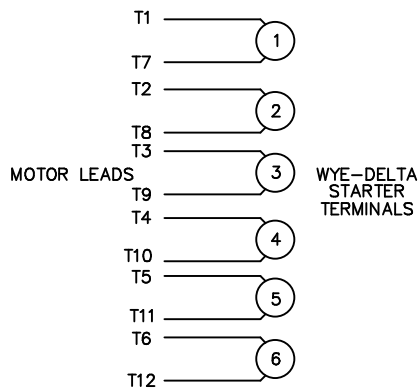
FRAME DESIGN	"C"	"BV"	"BS"
284T	26.26	9.65	
286T	27.83	10.43	5.51

		TOLERANCES UNLESS SPECIFIED		REGAL REGAL-BELOIT CORPORATION		DRAWN	CJK 07/16/01
		DEC.	INCHES			CHK	
03	ECO-0048910, REVISED 'BA' DIM.	RFH 04/04/14	EH .XX	±.03	TITLE	APPD	
02	REDRAWN TO CURRENT CAD STANDARDS	CJK 07/13/99	.XXX	±.005	OUTLINE-280T FRAME, TEFC-RIGID	SCALE	N/A
01	ADDED HOLE FOR 286T BASE	JJK 11/01/01	.XXXX	±.0005	NEW CONDUIT BOX	REF	
NO.	REVISION	BY & DATE	CHK	ANG ±1/2'	MAT'L. CAST IRON	FMF	
THIS DRAWING IN DESIGN AND DETAIL IS OUR PROPERTY AND MUST NOT BE USED EXCEPT IN CONNECTION WITH OUR WORK ALL RIGHTS OF DESIGN AND INVENTION ARE RESERVED THIS IS AN ELECTRONICALLY GENERATED DOCUMENT - DO NOT SCALE THIS PRINT				RFP	CAD FILE	PREV	
				DIST	SIZE	DRAWING NO.	PAGE OF
					A	169539-60	REV. 03

WYE - DELTA STARTING USEABLE ON 2,4 AND 6 POLE MOTORS.

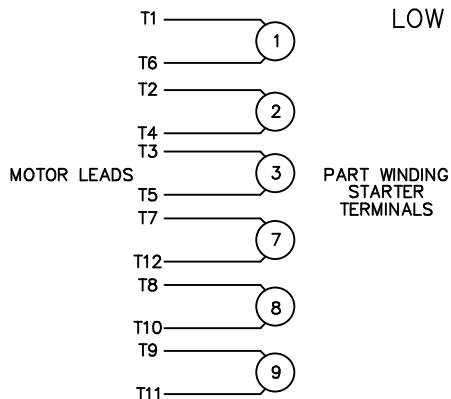
LOW VOLTAGE CONNECTION

HIGH VOLTAGE CONNECTION



REFER TO THE WYE-DELTA STARTER CONNECTION INSTRUCTIONS FOR PROPER CONNECTION OF POWER LINES TO STARTER.

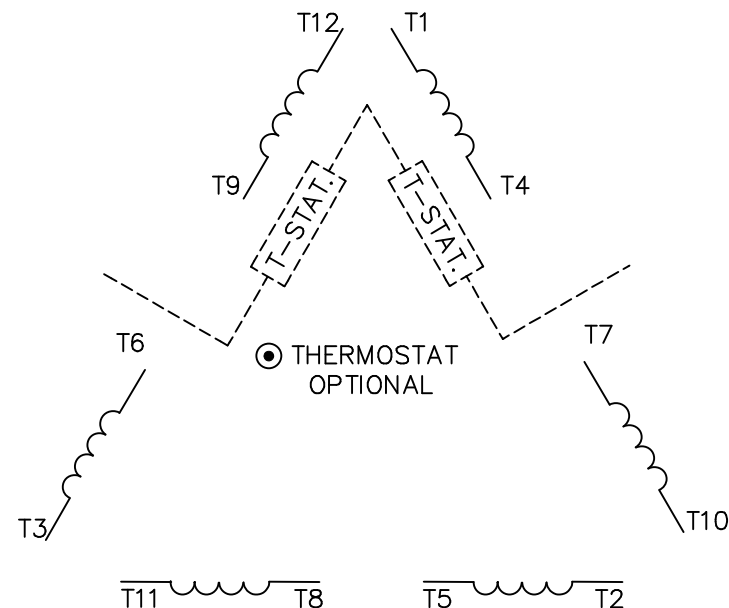
PART WINDING START USABLE ON 4 & 6 POLE MOTORS
LOW VOLTAGE CONNECTION ONLY



REFER TO THE PART WINDING STARTER INSTRUCTIONS FOR PROPER CONNECTION OF POWER LINES TO STARTER.

REFER TO THE CUTLER - HAMMER OR EQUIV. FOR PROPER SELECTION OF OVERLOAD HEATER COILS.

LINE LEADS



ROTATION CAN BE REVERSED BY INTERCHANGING ANY TWO LINE LEADS
● RED LEADS OR P1, P2, FOR N/C THERMOSTAT

ACROSS THE LINE START & RUN

	LINE 1	LINE 2	LINE 3	JOIN & INSULATE SEPARATELY
HIGH VOLT	T1, T12	T2, T10	T3, T11	(T4, T7) (T5, T8) (T6, T9)
LOW VOLT	T1, T6 T7, T12	T2, T4 T8, T10	T3, T5 T9, T11	

TOLERANCES UNLESS SPECIFIED
DEC. INCHES



ELECTRIC MOTORS
GEARMOTORS
AND DRIVES

DRAWN WLW 09/08/77
CHK RPB 09/12/77
APPD JCW 09/12/77

NO.	REVISION	BY & DATE	CHK	ANG	±1/2'
03	REV'D LOW VOLTAGE CONN. LEADS PER ELEC.	BJB 06/07/00	.XX	±.01	
02	ADDED T-STAT. NOTES PER ELECTRICAL	KMM 06/02/98	.XXX	±.005	
01	REDRAWN TO CAD	DBT 06/02/97	.XXXX	±.0005	

TITLE	DELTA - WYE CONNECTION DIAGRAM
MAT'L.	
FINISH	

SCALE	1=1
REF	
FMF	
PREV	

THIS DRAWING IN DESIGN AND DETAIL IS OUR PROPERTY AND MUST NOT BE USED EXCEPT IN CONNECTION WITH OUR WORK ALL RIGHTS OF DESIGN AND INVENTION ARE RESERVED THIS IS AN ELECTRONICALLY GENERATED DOCUMENT - DO NOT SCALE THIS PRINT

RFP	CAD FILE	00417201	SIZE	DRAWING NO.	REV.
DIST			A	004172-01	03

Data Sheet

Date: 1/31/2018

170015.60



Data @ 460 V

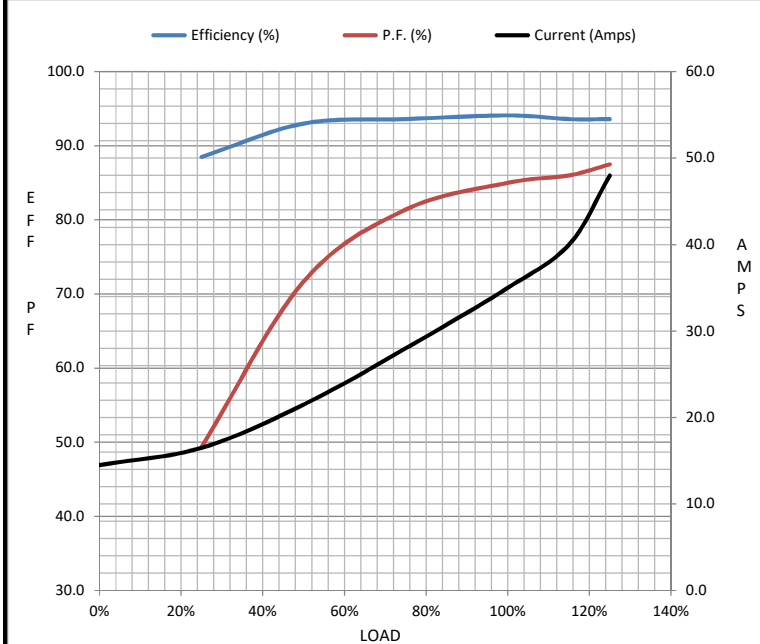
Motor Load Data

Load	0%	25%	50%	75%	100%	115%	125%	LR
Current (Amps)	14.5	16.5	21.5	28.0	35.0	40.0	48.0	240
Torque (ft-lb)	0.00	21.9	44.1	66.4	89.0	103	112	172
RPM	1800	1792	1783	1775	1770	1,767	1762	0
Efficiency (%)		88.5	93.0	93.6	94.1	93.6	93.6	
P.F. (%)	5.7	49.4	71.7	81.4	85.0	86.0	87.5	0.0

Motor Speed Data

	LR	Pull-Up	BD	Rated	Idle
Speed (RPM)	0	900	1700	1770	1800
Current (Amps)	240	215	150	35.0	14.5
Torque (ft-lb)	172	155	247	89.0	0.00

Information Block				
HP	30.0			
Sync. RPM	1800			
Frame	286			
Enclosure	TEFC			
Construction	TFC			
Voltage	208-230/460#190/380 V			
Frequency	60 Hz			
Design	A			
LR Code letter	H			
Service Factor	1.15			
Temp Rise @ FL	46 °C			
Duty	CONT			
Ambient	40 °C			
Elevation	1,000 feet			
Rotor/Shaft wk ²	4.7 Lb-Ft ²			
Ref Wdg	T14504006 NONE			
Sound Pressure @ 1M	75 dBA			
VFD Rating	CONSTANT 10:1			
Outline Dwg	16953960			
Conn. Diag	004172.01			
Additional Specifications:				
0				
0				
EQUIV CKT (OHMS / PHASE)				
R1	R2	X1	X2	Xm
0.0000	0.0000	0.0000	0.0000	0.0000



Speed - Torque Curve

