

# PRODUCT INFORMATION PACKET



Model No: C184T17WK16A

Catalog No: 132208.00

..5HP..1760RPM.184TC.TEFC. 230/460V.3PH.60HZ.CONT.40C.1.15SF.RIGID  
C.C184T17WK16A.....WASHGUARD-ALL STAINLESS.NOT.....

3 Phase



Regal and Leeson are trademarks of Regal Beloit Corporation or one of its affiliated companies.

©2018 Regal Beloit Corporation, All Rights Reserved. MC017097E



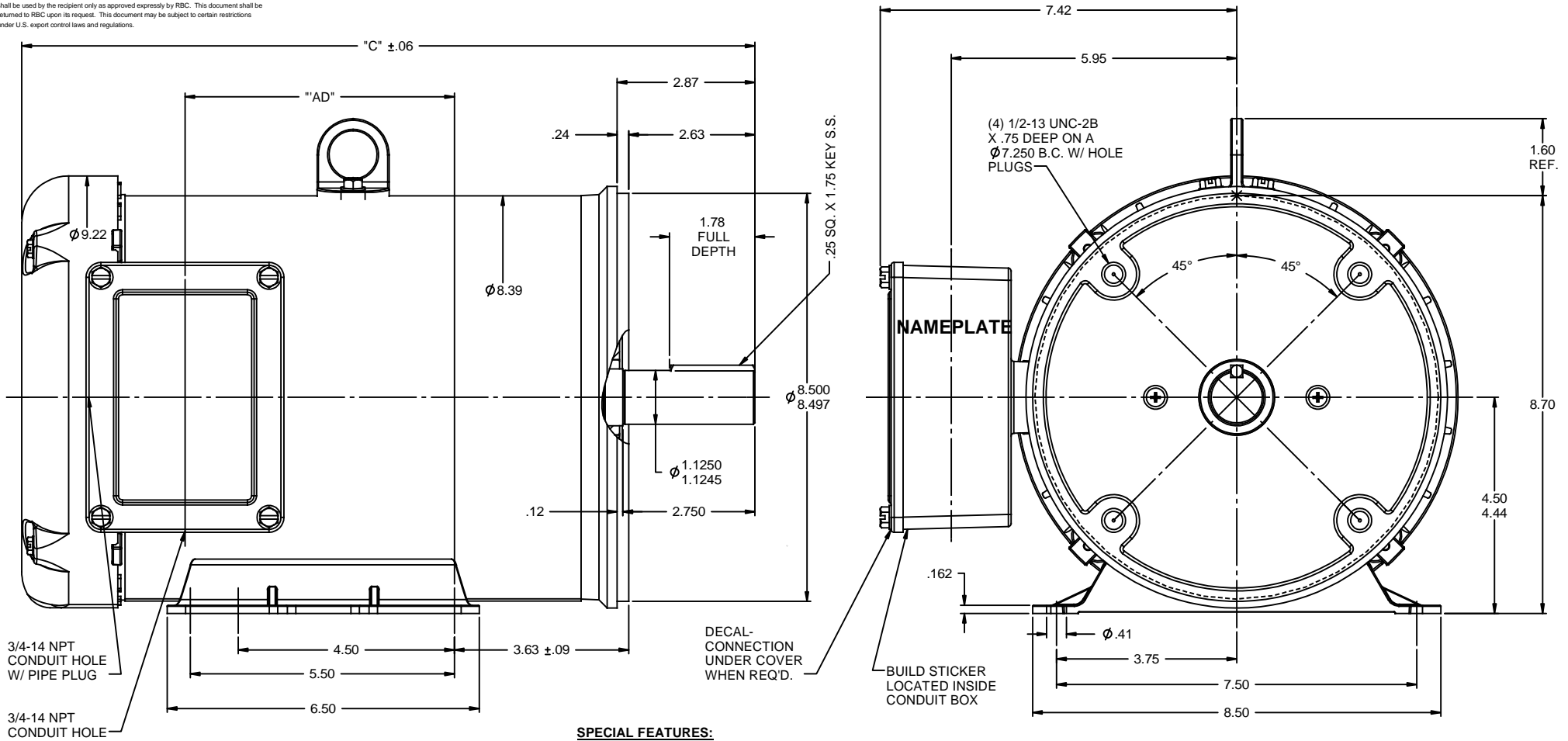


### Nameplate Specifications

Output HP	<b>5 Hp</b>	Output KW	<b>3.7 kW</b>
Frequency	<b>60 Hz</b>	Voltage	<b>230/460 V</b>
Current	<b>12.6/6.3 A</b>	Speed	<b>1760 rpm</b>
Service Factor	<b>1.15</b>	Phase	<b>3</b>
Efficiency	<b>89.5 %</b>	Duty	<b>Continuous</b>
Insulation Class	<b>F</b>	Design Code	<b>B</b>
KVA Code	<b>J</b>	Frame	<b>184TC</b>
Enclosure	<b>Totally Enclosed Fan Cooled</b>	Overload Protector	<b>No</b>
Ambient Temperature	<b>40 °C</b>	Drive End Bearing Size	<b>6207</b>
Opp Drive End Bearing Size	<b>6207</b>	UL	<b>Recognized</b>
CSA	<b>Y</b>	CE	<b>Y</b>
IP Code	<b>56</b>		

### Technical Specifications

Electrical Type	<b>Squirrel Cage Inverter Rated</b>	Starting Method	<b>Line Or Inverter</b>
Poles	<b>4</b>	Rotation	<b>Reversible</b>
Mounting	<b>Rigid base</b>	Motor Orientation	<b>HORIZONTAL</b>
Drive End Bearing	<b>BALL</b>	Opp Drive End Bearing	<b>BALL</b>
Frame Material	<b>Stainless Steel</b>	Shaft Type	<b>T</b>
Overall Length	<b>15.77 in</b>	Frame Length	<b>10.00 in</b>
Shaft Diameter	<b>1.125 in</b>	Shaft Extension	<b>2.75 in</b>
Assembly/Box Mounting	<b>F1 ONLY</b>		
Outline Drawing	<b>035437-1000</b>	Connection Diagram	<b>005010.01</b>



3/4-14 NPT CONDUIT HOLE W/ PIPE PLUG  
 3/4-14 NPT CONDUIT HOLE

**SPECIAL FEATURES:**  
 DOUBLE LIP OIL SEAL BOTH ENDS  
 GASKETS THROUGHOUT  
 O-RING SEALED ENDBELLS & THRU BOLTS  
 LOCKED BEARING W/ SEALED LOCK SCREWS

MAXIMUM FACE RUNOUT TO BE .004 T.I.R.  
 MAXIMUM PILOT ECCENTRICITY TO BE .004 T.I.R.  
 PERMISSIBLE SHAFT RUNOUT TO BE .002 T.I.R.

DASH NO.	"C"	"AD"
850	14.27	4.61
900	14.77	5.11
950	15.27	5.61
1000	15.77	6.11

REVISION		BY & DATE	CHK	ANG	FINISH	REV	PREV	SIZE	DRAWING NO	REV
02	ADDED DASH NO. 1000 (132208.00)	PG 9/21/2010	XX	±.03	TITLE OUTLINE - 180TC FRAME	02		B	035437	02
01	ADDED NOTE FOR BUILD STICKER LOC. PER ISAAC 10-1677	PG 5/4/2010	XXX	±.005	TEFC - RIGID "C"					
-	UPDATED & REDRAWN TO SOLIDWORKS	LST 12/11/2009	XXXX	±.0005	MATL STAINLESS STEEL DUCK					

TOLERANCES UNLESS SPECIFIED:  
 DEC INCHES  
 X ±.1  
 XX ±.03  
 XXX ±.005  
 XXXX ±.0005

THIRD ANGLE PROJECTION

REGAL BELOIT CORPORATION

DRAWN JJK 4/4/02  
 CHK  
 APPR  
 SCALE 1:2  
 REF OLG131167  
 FMF G131901.00  
 PAGE OF

NETWORK FILE NAME 035437

005010-01

VIEW FROM OUTSIDE OF MOTOR AT SWITCH END.



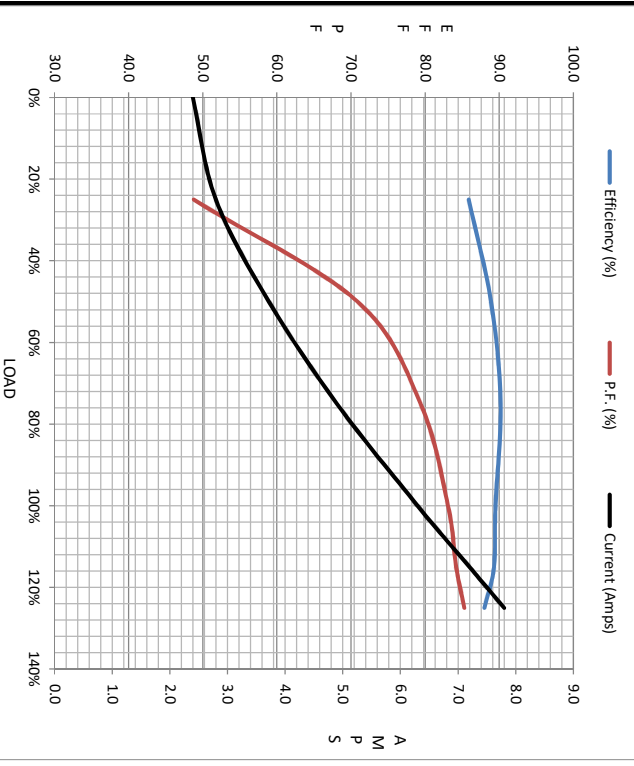
VOLTAGE	L1	L2	L3	JOIN & INSULATE
HIGH	T1	T2	T3	(T4,T7) (T5,T8) (T6,T9)
LOW	T1,T7	T2,T8	T3,T9	T4,T5,T6

				TOLERANCES UNLESS SPECIFIED		<b>REGAL</b> ™ <b>Regal Beloit America, Inc.</b>		DRAWN RDW 04/12/02		
				DEC.	INCHES			CHK		
				.X	±.1	TITLE EXTERNAL WIRING DIAGRAM 3 PHASE W/O PROTECTOR		APPD		
				.XX	±.01			SCALE 1=1		
				.XXX	±.005			REF FIG.2-51		
A	UPDATED TO REGAL LOGO	SAJ 06/26/15	AJY	.XXXX	±.0005	MAT'L. DECAL - 004014		FMF		
NO.	REVISION	BY & DATE	CHK	ANG	±1/2"	FINISH		PREV		
THIS DRAWING IN DESIGN AND DETAIL IS OUR PROPERTY AND MUST NOT BE USED EXCEPT IN CONNECTION WITH OUR WORK ALL RIGHTS OF DESIGN AND INVENTION ARE RESERVED THIS IS AN ELECTRONICALLY GENERATED DOCUMENT - DO NOT SCALE THIS PRINT				RFP	04/12/02	CAD FILE 00501001		SIZE	DRAWING NO.	REV.
				DIST	BRF-NLV			A	005010-01	A



Motor Load Data								
Load	0%	25%	50%	75%	100%	115%	125%	LR
Current (Amps)	2.40	2.80	3.7	4.9	6.3	7.2	7.8	49.0
Torque (ft-lb)	0.00	3.7	7.4	11.1	15.0	17.4	18.8	30.1
RPM	1800	1790	1779	1768	1760	1747	1742	0
Efficiency (%)		85.9	88.9	90.2	89.5	89.3	88.0	
P.F. (%)	6.8	48.8	70.9	79.4	83.1	84.2	85.3	0.0

Motor Speed Data										
	LR	Pull-Up	BD	Rated	Idle	Information Block				
Speed (RPM)	0	900	1656	1760	1800	HP	5.0			
Current (Amps)	49.0	45.1	29.4	6.3	2.40	Sync. RPM	1800			
Torque (ft-lb)	30.1	29.8	50.2	15.0	0.00	Frame	184			
						Enclosure	TEFC			
						Construction	TFW			
						Voltage	230/460	V		
						Frequency	60	Hz		
						Design	B			
						LR Code letter	J			
						Service Factor	1.15			
						Temp Rise @ FL	65	°C		
						Duty	CONT			
						Ambient	40	°C		
						Elevation	1,000	feet		
						Rotor/Shaft wk²	0.49	Lb-Ft²		
						Ref Wdg	T84170 FR			
						Sound Pressure @ 1M	55	dB(A)		
						VFD Rating	VARIABLE 10:1			
						Outline Dwg	035437-1000			
						Conn. Diag	005010.01			
						Additional Specifications:				
						0				
						EQUIV CKT (OHMS / PHASE)				
						R1	R2	X1	X2	Xm
						0.0000	0.0000	0.0000	0.0000	0.0000



Efficiency (%)	90.0
P.F. (%)	80.0
Current (Amps)	70.0
	80.0
	90.0
	100.0
	110.0
	120.0
	130.0
	140.0

