

PRODUCT INFORMATION PACKET



Model No: C145T17WC131A

Catalog No: 122182.00

..2HP..1800RPM.145TC.TEFC.230/460V.3PH.60HZ.CONT.40C.1.15SF.C FACE.....WASHDOWN
MOTORS.....

General Purpose



Regal and Leeson are trademarks of Regal Beloit Corporation or one of its affiliated companies.

©2018 Regal Beloit Corporation, All Rights Reserved. MC017097E



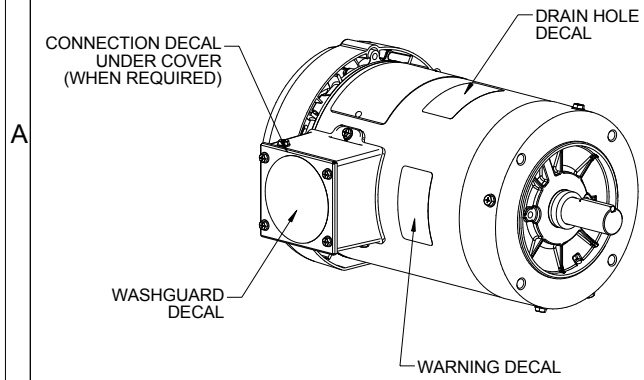
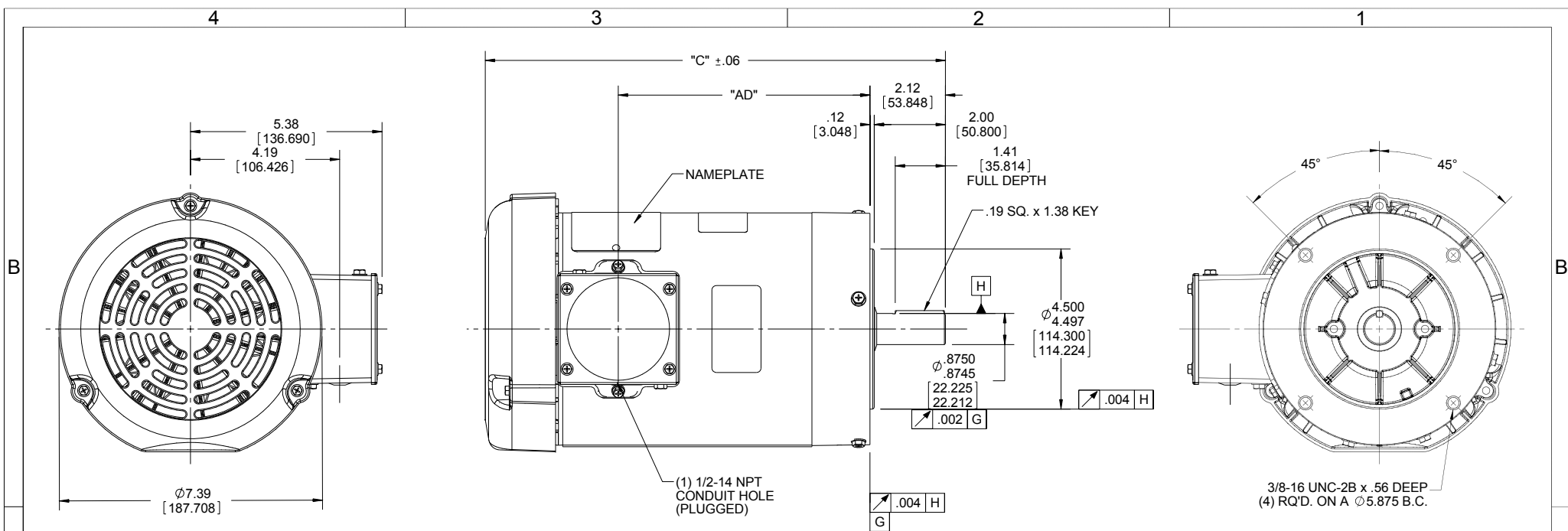


Nameplate Specifications

Output HP	2 Hp	Output KW	1.5 kW
Frequency	60 Hz	Voltage	208-230/460 V
Current	6.0-5.8/2.9 A	Speed	1745 rpm
Service Factor	1.15	Phase	3
Efficiency	86.5 %	Duty	Continuous
Insulation Class	F	Design Code	B
KVA Code	L	Frame	145 C
Enclosure	Totally Enclosed Fan Cooled	Overload Protector	No
Ambient Temperature	40 °C	Drive End Bearing Size	6205
Opp Drive End Bearing Size	6203	UL	Recognized
CSA	Y	CE	Y
IP Code	55		

Technical Specifications

Electrical Type	Squirrel Cage Induction Run	Starting Method	Across The Line
Poles	4	Rotation	Reversible
Mounting	Round	Motor Orientation	HORIZONTAL
Drive End Bearing	BALL	Opp Drive End Bearing	BALL
Frame Material	Rolled Steel	Shaft Type	NEMA 56
Overall Length	13.93 in	Frame Length	8.00 in
Shaft Diameter	0.875 in	Shaft Extension	2.25 in
Assembly/Box Mounting	F1 ONLY		
Outline Drawing	607-0007-800	Connection Diagram	005010.20



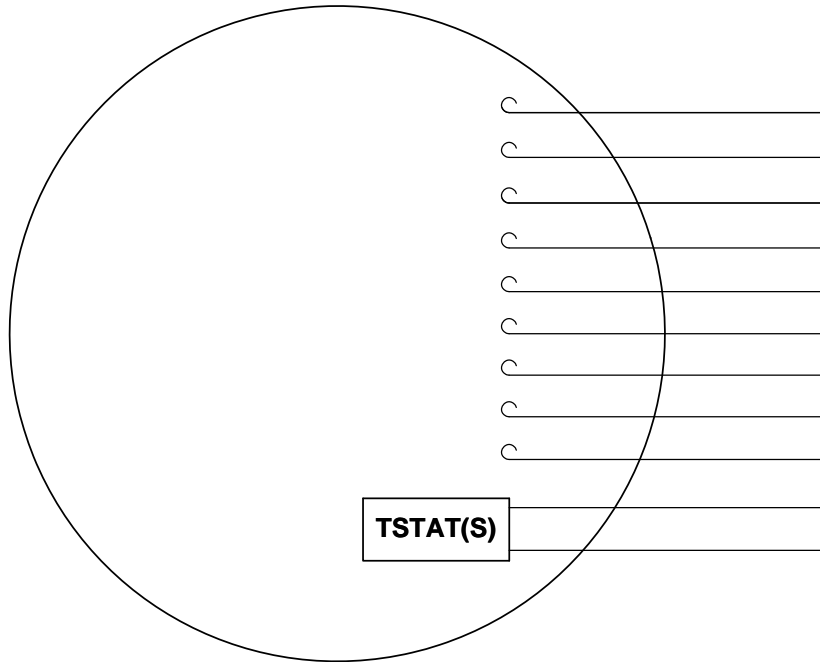
DASH NO	"C"	"AD"
500	10.93	5.06
550	11.43	5.56
600	11.93	6.06
650	12.43	6.56
700	12.93	7.06
750	13.43	7.56
775	13.68	7.81
800	13.93	8.06

WASHGUARD MOTOR

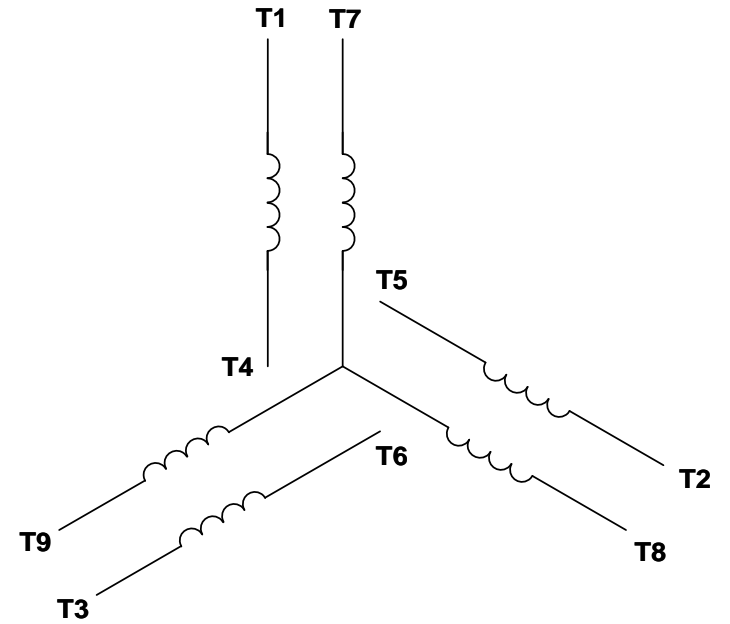
- SPECIAL FEATURES:
1. SHAFT SEALS & V-RING.
 2. PLUGGED DRAIN HOLES IN ENDBELLS & CONDUIT BOX.
 3. BUNA-N GASKETS THROUGHOUT.
 4. STAINLESS STEEL SHAFT, HARDWARE & NAMEPLATE.

DRAWING REVISION C	REVISION BY CHRIS FISHER	DATE 9/25/2015	TOLERANCES UNLESS OTHERWISE SPECIFIED: DEC. INCH mm ANGLE X +0.1 [+2.5] $\pm 0.5^\circ$.XX ± 0.01 [+0.25] .XXX ± 0.005 [+0.127] .XXXX ± 0.0005 [+0.0127]	DRAWN BY PG 02/08/11	Regal Beloit America, Inc.
ECO ECO-00855660	APPROVED BY	DATE	REMOVE BURRS & BREAK SHARP EDGES: .003/.015 [076/381] X 45° CORNER FILLETS: R.02 [51]	DATE	
ECO DESCRIPTION ADDED ITEM #775 COPYRIGHT REGAL BELOIT AMERICA, INC. ALL RIGHTS RESERVED. PROPRIETARY AND CONFIDENTIAL INFORMATION - THIS DOCUMENT IS THE PROPERTY OF REGAL BELOIT AMERICA, INC. (OWNER) AND CONTAINS OWNER'S PROPRIETARY INFORMATION. ANY PERSON, CORPORATION OR OTHER FIRM RECEIVING IT IS DEEMED, BY RECEIVING IT, TO AGREE THAT IT, AND/OR ANY PART OF IT, SHALL NOT BE DISCLOSED TO ANY PERSON, CORPORATION OR OTHER ENTITY, DUPLICATED, AND/OR USED, EXCEPT AS EXPRESSLY APPROVED IN WRITING IN ADVANCE BY OWNER. THIS DOCUMENT SHALL BE RETURNED TO OWNER UPON REQUEST. IT MAY BE SUBJECT TO CERTAIN RESTRICTIONS UNDER APPLICABLE EXPORT CONTROL LAWS AND REGULATIONS.			MATERIAL WASHGUARD	DESCRIPTION OUTLINE TEFC - "C" FACE	PROCESS/FINISH
			MACHINED SURFACES: 125/3.2 INCH mm $\sqrt{\quad}$	REFERENCE	SIZE B
			THIRD ANGLE PROJECTION	DRAWING NUMBER 607-0007	SHEET 1 OF 1

VIEW FROM OUTSIDE OF MOTOR AT SWITCH END. Uncontrolled Copy



LINE LEADS



VOLTAGE	L1	L2	L3	JOIN & INSULATE
HIGH	T1	T2	T3	(T4,T7) (T5,T8) (T6,T9)
LOW	T1,T7	T2,T8	T3,T9	T4,T5,T6

DRAWING REVISION G REVISION BY MVG DATE 04/05/2017

ECO ECO-0121253 APPROVED BY SM DATE 04/05/2017

ECO DESCRIPTION
ADDED P1 & P2 FOR TSTAT

COPYRIGHT REGAL BELOIT AMERICA, INC. ALL RIGHTS RESERVED.
PROPRIETARY AND CONFIDENTIAL INFORMATION - THIS DOCUMENT IS THE PROPERTY OF
REGAL BELOIT AMERICA, INC. ('OWNER') AND CONTAINS OWNER'S PROPRIETARY
INFORMATION. ANY PERSON, CORPORATION OR OTHER FIRM RECEIVING IT IS DEEMED,
BY RECEIVING IT, TO AGREE THAT IT, AND/OR ANY PART OF IT, SHALL NOT BE DISCLOSED
TO ANY PERSON, CORPORATION OR OTHER ENTITY, DUPLICATED, AND/OR USED, EXCEPT
AS EXPRESSLY APPROVED IN WRITING IN ADVANCE BY OWNER. THIS DOCUMENT SHALL
BE RETURNED TO OWNER UPON REQUEST. IT MAY BE SUBJECT TO CERTAIN
RESTRICTIONS UNDER APPLICABLE EXPORT CONTROL LAWS AND REGULATIONS.

TOLERANCES UNLESS OTHERWISE SPECIFIED:

DEC.	INCH	mm	ANGLE
.X	±0.1	[±2.5]	±0.5°
.XX	±0.01	[±0.25]	
.XXX	±0.005	[±0.127]	
.XXXX	±0.0005	[±0.0127]	

REMOVE BURRS & BREAK SHARP
EDGES: .003/.015 [.076/.381] X 45°
CORNER FILLETS: R.02 [.51]
MACHINED SURFACES: 125/3.2
INCH/mm

mm SHOWN IN [BRACKETS]

DRAWN BY DBT 12/16/97

DATE

APPROVED BY KH 12/17/97

DATE

REFERENCE

THIRD ANGLE PROJECTION

REGAL™ Regal Beloit America, Inc.

DESCRIPTION
CONN DIAGRAM-EXTERNAL
3 PHASE WITH PROTECTOR

MATERIAL DECAL - 004014 (TSTAT) - 080582	PROCESS/FINISH STOCK
SIZE A	DRAWING NUMBER 00501020
SHEET 1 OF 1	



P.O. BOX 8003
WAUSAU, WI 54401-8003
PH. 715-675-3311

DATA VOLTS: 460

CERTIFICATION DATA SHEET

CONN. DIAGRAM: 005010.20
OUTLINE: 607-0007-800
WINDING: T634340

FR 3

CAT #: 122182.00

TYPICAL MOTOR PERFORMANCE DATA

HP	KW	SYNC RPM	FL RPM	FRAME	ENCLOSURE	TYPE	KVA CODE	DESIGN	
2	1.5	1800	1751	145 C	TEFC	TFR	L	B	
PH	HZ	VOLTS	AMPS	START TYPE	DUTY	INSL	S.F.	AMB	ELEV.
3	60/50	208-230/460#190/380	6.2-6/386 8/3.4	ACROSS THE LINE	CONT	F	1.15	40	3300
	F.L. EFF	86.5	3/4 LD EFF	85.6	1/2 LD EFF	83.4	GTD EFF		ELECT. TYPE
	F.L. PF	75.6	3/4 LD PF	64.0	1/2 LD PF	51.9	84.0		SQ CAGE IND RUN
F.L. TORQUE	LR AMPS @ 460 V		L.R. TORQUE		B.D. TORQUE		F.L. RISE (°C)		
6.0 LB-FT	26.5		18.8 LB-FT	313%	24.6 LB-FT	410%	53		
PRESSURE @ 3	POWER	ROTOR WK²	MAX. LOAD WK²	SAFE STALL TIME	STARTS/HOUR	MOTOR WGT			
65 DBA	74 DBA	0.16 LB-FT²	0 LB-FT²	10 SEC.	3	0 LB.			

*** SUPPLEMENTAL INFORMATION ***

DE BRACKET TYPE	ODE BRACKET TYPE	MOUNT TYPE	MOTOR ORIENTATION	SEVERE DUTY	HAZARDOUS LOCATION	DRIIP COVER	SCREENS	PAINT
C-FACE	STANDARD	ROUND	HORIZONTAL	NO	NONE	NO	NONE	ITE - LEESON (EPO
BEARINGS DE	GREASE	SHAFT TYPE	SPECIAL DE	SPECIAL ODE	SHAFT MATERIAL	FRAME MATERIAL		
BALL 6205	POLYREX EM	STANDARD 56	NONE	NONE	303 STAINLESS (C-501)	ROLLED STEEL		
THERMOSTATS TSTATS (N/C)	PROTECTORS	WIDG RTD's	BRG RTD's	THERMISTORS	CONTROL	SPACE HEATERS		
	NOT	NONE	NONE	NONE	FALSE	NA		
R1 (ohms/ph)	R2 (ohms/ph)	X1 (ohms/ph)	X2 (ohms/ph)	Xm (ohms/ph)	VIBRATION (in/sec)	FLOAT ODE		
0	0	0	0	0	0.080			

* N O T E S *		INVERTER TORQUE: NONE	
		INV. HP SPEED RANGE: NONE	
		ENCODER: NONE	
		NONE	
		NONE	
		BRAKE: NONE	
		NONE	
		FT-LB: NA	
		NONE	
		NONE	
		NONE PPR	

DATE: 1/31/2018	UL: Y-(LEESON UL REC)	HZ:
-----------------	-----------------------	-----



Motor Load Data								
Load	0%	25%	50%	75%	100%	115%	125%	LR
Current (Amps)	1.70	1.92	2.19	2.58	2.90	3.2	3.5	26.5
Torque (ft-lb)	0.00	1.50	3.0	4.5	6.0	6.5	7.5	18.8
RPM	1800	1787	1774	1763	1751	1,730	1732	0
Efficiency (%)		74.5	83.4	85.6	86.5	85.5	85.6	
P.F. (%)	7.1	33.4	51.9	64.0	75.6	76.0	77.3	42.0

Motor Speed Data						Information Block																					
	LR	Pull-Up	BD	Rated	Idle	HP	Sync. RPM	Frame	Enclosure	Construction	Voltage	Frequency	Design	LR Code letter	Service Factor	Temp Rise @ FL	Duty	Ambient	Elevation	Rotor/Shaft wk ²	Ref Wdg	Sound Pressure @ 1M	VFD Rating	Outline Dwg	Conn. Diag	Additional Specifications:	
Speed (RPM)	0	775	1085	1751	1800	2.0	1800	140	TEFC	TFR	208-230/460#190/380	60	A	L	1.15	53	CONT	40	1,000	0.16	T634340 FR	65	NONE	607-0007-800	005010.20		
Current (Amps)	26.5	24.4	14.2	2.90	1.70																						
Torque (ft-lb)	18.8	15.0	24.6	6.0	0.00																						

