

# PRODUCT INFORMATION PACKET



Model No: 117281.00

Catalog No: 117281.00

Premium Duck™ General Purpose Motor, 1 & 0.75 HP, 3 Ph, 60 & 50 Hz, 230/460 & 190/380 V,  
3600 & 3000 RPM, 56C Frame, TENV

**Operational at 208-230/460 V @60HZ**



Regal and Leeson are trademarks of Regal Rexnord Corporation or one of its affiliated companies.  
©2023 Regal Rexnord Corporation, All Rights Reserved. MC017097E





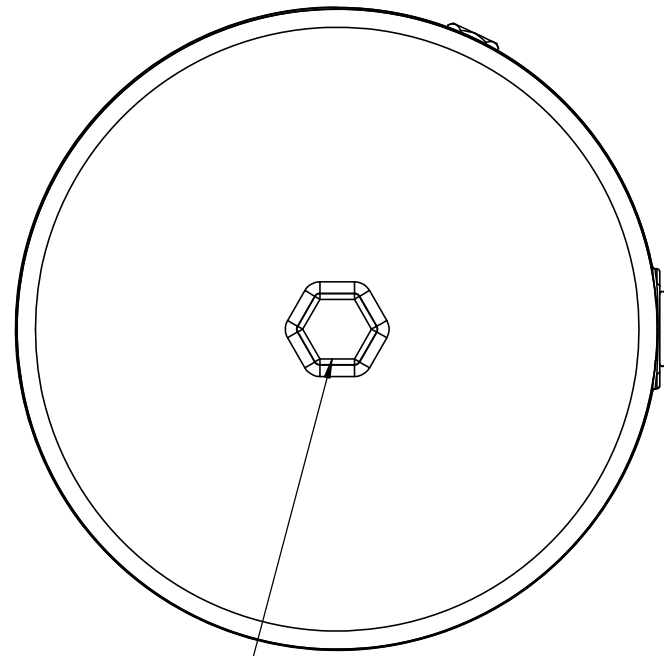
### Nameplate Specifications

Phase	<b>3</b>	Output HP	<b>1 &amp; 0.75 Hp</b>
Output KW	<b>0.75 &amp; 0.56 kW</b>	Voltage	<b>230/460 &amp; 190/380 V</b>
Speed	<b>3450 &amp; 2850 rpm</b>	Service Factor	<b>1.15 &amp; 1.15</b>
Frame	<b>56C</b>	Enclosure	<b>Totally Enclosed Non Ventilated</b>
Thermal Protection	<b>No Protection</b>	Efficiency	<b>85.5 &amp; 82.5 %</b>
Ambient Temperature	<b>40 °C</b>	Frequency	<b>60 &amp; 50 Hz</b>
Current	<b>2.6/1.3 &amp; 2.4/1.2 A</b>	Power Factor	<b>85</b>
Duty	<b>Continuous</b>	Insulation Class	<b>F</b>
Design Code	<b>B</b>	KVA Code	<b>L</b>
Drive End Bearing Size	<b>6205</b>	Opp Drive End Bearing Size	<b>6205</b>
UL	<b>Recognized</b>	CSA	<b>Y</b>
CE	<b>Y</b>	IP Code	<b>56</b>
Number of Speeds	<b>1</b>		

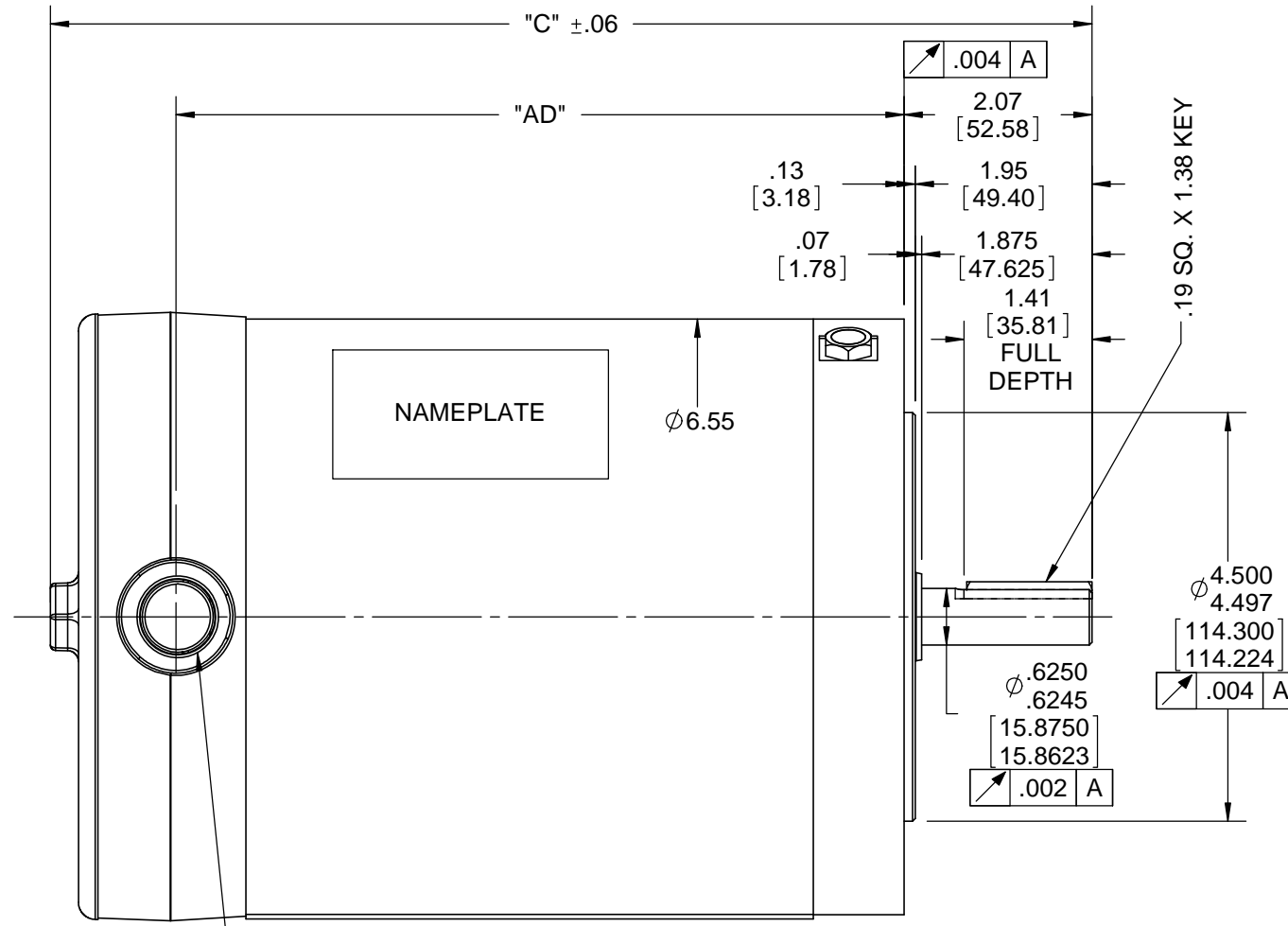
### Technical Specifications

Electrical Type	<b>Squirrel Cage Inverter Rated</b>	Starting Method	<b>Line Or Inverter</b>
Poles	<b>2</b>	Rotation	<b>Reversible</b>
Resistance Main	<b>13.15 Ohms</b>	Mounting	<b>Round</b>
Motor Orientation	<b>Horizontal</b>	Drive End Bearing	<b>Ball</b>
Opp Drive End Bearing	<b>Ball</b>	Frame Material	<b>Stainless Steel</b>
Shaft Type	<b>NEMA 56</b>	Overall Length	<b>12.22 in</b>
Frame Length	<b>7.00 in</b>	Shaft Diameter	<b>0.625 in</b>
Shaft Extension	<b>1.88 in</b>	Assembly/Box Mounting	<b>F1 ONLY</b>
Inverter Load	<b>CONSTANT 6:1</b>		
Outline Drawing	<b>028942-700</b>	Connection Drawing	<b>005010.01</b>

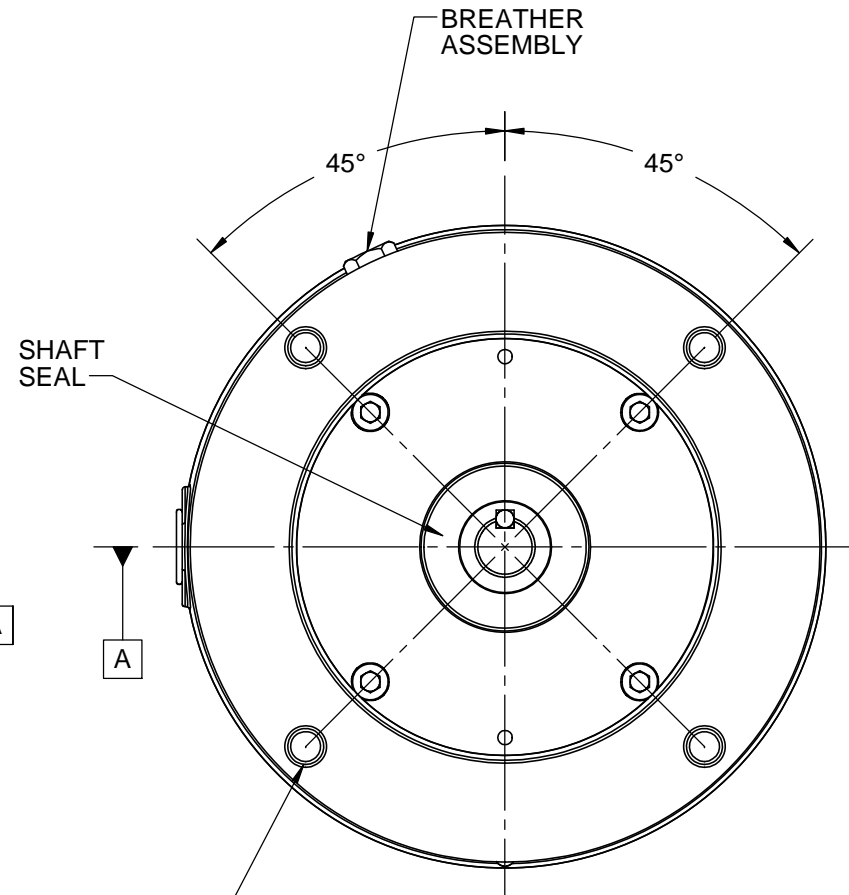
This is an uncontrolled document once printed or downloaded and is subject to change without notice. Date Created:10/13/2023



3/4" HEX DRIVER FOR COVER REMOVAL



1/2-14 NPT CONDUIT HOLE (PLUGGED)



(4) 3/8-16 UNC-2B X .56 DEEP ON A Ø5.875 B.C.

DASH NO.	"C"	"AD"
525	10.47	7.00
550	10.72	7.25
575	10.97	7.50
600	11.22	7.75
625	11.47	8.00
650	11.72	8.25
675	11.97	8.50
700	12.22	8.75
750	12.72	9.25
800	13.22	9.75

DRAWING REVISION D	REVISION BY AS	DATE 05/04/2017
ECO ECO-0123079	APPROVED BY JD	DATE 05/04/2017
ECO DESCRIPTION ADDED ITEM # 800 & PLUGGED CONDUIT HOLE		
<small>COPYRIGHT REGAL BELOIT AMERICA, INC. ALL RIGHTS RESERVED.          PROPRIETARY AND CONFIDENTIAL INFORMATION - THIS DOCUMENT IS THE PROPERTY OF          REGAL BELOIT AMERICA, INC. ("OWNER") AND CONTAINS OWNER'S PROPRIETARY          INFORMATION. ANY PERSON, CORPORATION OR OTHER FIRM RECEIVING IT IS DEEMED,          BY RECEIVING IT, TO AGREE THAT IT, AND/OR ANY PART OF IT, SHALL NOT BE DISCLOSED          TO ANY PERSON, CORPORATION OR OTHER ENTITY, DUPLICATED, AND/OR USED, EXCEPT          AS EXPRESSLY APPROVED IN WRITING IN ADVANCE BY OWNER. THIS DOCUMENT SHALL          BE RETURNED TO OWNER UPON REQUEST. IT MAY BE SUBJECT TO CERTAIN          RESTRICTIONS UNDER APPLICABLE EXPORT CONTROL LAWS AND REGULATIONS.</small>		

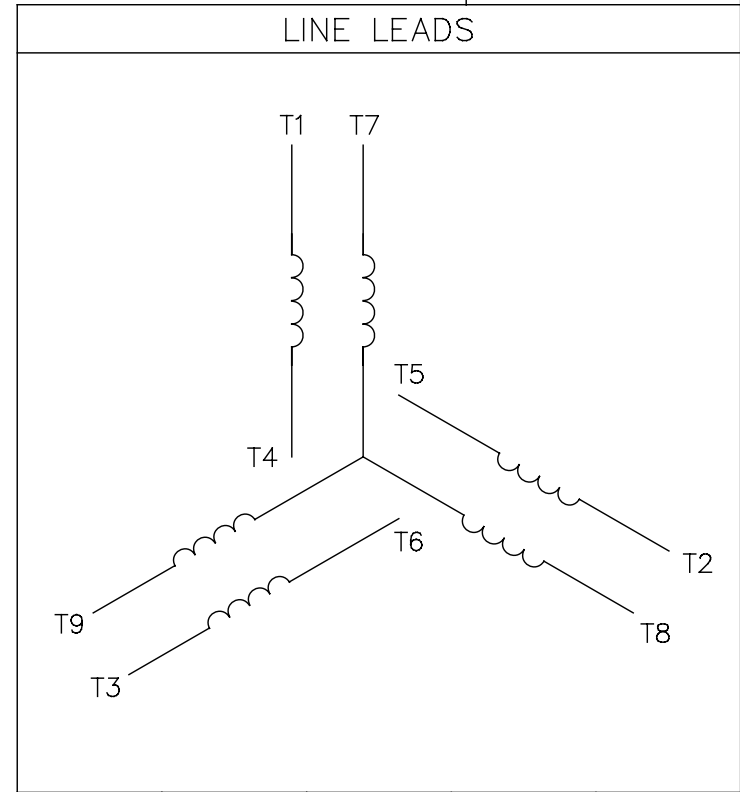
TOLERANCES UNLESS OTHERWISE SPECIFIED:			
DEC.	INCH	mm	ANGLE
.X	±0.1	[±2.5]	±7° 30"
.XX	±0.03	[±0.76]	
.XXX	±0.005	[±0.127]	
.XXXX	±0.0005	[±0.0127]	
REMOVE BURRS & BREAK SHARP EDGES: .003/.015 [0.076/.381] X 45° CORNER FILLETS: R.02 [51] MACHINED SURFACES: 200 INCH/mm 5.1 mm SHOWN IN [BRACKETS]			

DRAWN BY LST 1/9/09	DATE
APPROVED BY	DATE
REFERENCE	THIRD ANGLE PROJECTION

<b>REGAL</b> ™ Regal Beloit America, Inc.	
DESCRIPTION	<b>OUTLINE</b> TENV ROUND "C" FACE
MATERIAL	PROCESS/FINISH
SIZE <b>B</b>	DRAWING NUMBER <b>028942</b>
SHEET 1 OF 1	

005010-01

VIEW FROM OUTSIDE OF MOTOR AT SWITCH END.



VOLTAGE	L1	L2	L3	JOIN & INSULATE
HIGH	T1	T2	T3	(T4,T7) (T5,T8) (T6,T9)
LOW	T1,T7	T2,T8	T3,T9	T4,T5,T6

		TOLERANCES UNLESS SPECIFIED		REGAL™ Regal Beloit America, Inc.		DRAWN RDW 04/12/02				
						CHK	APPD			
		DEC.	INCHES	TITLE EXTERNAL WIRING DIAGRAM 3 PHASE W/O PROTECTOR		SCALE	1=1			
		.X	±.1			REF	FIG.2-51			
		.XX	±.01			MAT'L. DECAL - 004014		FMF		
		.XXX	±.005					PREV		
A	UPDATED TO REGAL LOGO	SAJ	06/26/15	AJY	.XXXX	±.0005				
NO.	REVISION	BY & DATE	CHK	ANG	±1/2"	FINISH				
THIS DRAWING IN DESIGN AND DETAIL IS OUR PROPERTY AND MUST NOT BE USED EXCEPT IN CONNECTION WITH OUR WORK ALL RIGHTS OF DESIGN AND INVENTION ARE RESERVED THIS IS AN ELECTRONICALLY GENERATED DOCUMENT - DO NOT SCALE THIS PRINT				RFP	04/12/02	CAD FILE	00501001	SIZE	DRAWING NO.	REV.
				DIST	BRF-NLV			A	005010-01	A

P.O. BOX 8003  
 WAUSAU, WI 54401-8003  
 PH. 715-675-3311



DATA VOLTS: 460

**CERTIFICATION DATA SHEET**

CONN. DIAGRAM: 005010.01  
 OUTLINE: 028942-700  
 WINDING: T632233

CAT #: 117281.00

NR 3

**TYPICAL MOTOR PERFORMANCE DATA**

HP	KW	SYNC RPM	FL RPM	FRAME	ENCLOSURE	TYPE	KVA CODE	DESIGN
1	0.75	3600	3503	56C	TENV	NA	L	B

PH	HZ	VOLTS	AMPS	START TYPE	DUTY	INSL	S.F.	AMB	ELEV.
3	60/50	230/460#190/380	2.55/1.3&2.4/1.2	LINE OR INVERTER	CONT	F	1.15	40	3300

F.L. EFF	84.5	3/4 LD EFF	83.0	1/2 LD EFF	79.5	GTD EFF	0.0	ELECT. TYPE	SQ CAGE INV RATED
F.L. PF	86.6	3/4 LD PF	81.9	1/2 LD PF	73.8				

F.L. TORQUE	LR AMPS @ 460 V	L.R. TORQUE	B.D. TORQUE	F.L. RISE (°C)
384 LB-FT	12.2	1,253 LB-FT 326%	1,783 LB-FT 464%	98

PRESSURE @ 3	POWER	ROTOR WK²	MAX. LOAD WK²	SAFE STALL TIME	STARTS/HOUR	MOTOR WGT
999 dBA	1008 dBA	0.07 LB-FT²	0 LB-FT²	10 SEC.	0	0 LB.

\*\*\* SUPPLEMENTAL INFORMATION \*\*\*

DE BRACKET TYPE	ODE BRACKET TYPE	MOUNT TYPE	MOTOR ORIENTATION	SEVERE DUTY	HAZARDOUS LOCATION	DRIP COVER	SCREENS	PAINT
C-FACE	STANDARD	ROUND	HORIZONTAL	NO	NONE	NO	NONE	NO PAINT

BEARINGS		GREASE	SHAFT TYPE	SPECIAL DE	SPECIAL ODE	SHAFT MATERIAL	FRAME MATERIAL
DE	ODE						
BALL	BALL	POLYREX EM	STANDARD 56	NONE	NONE	303 STAINLESS (C-501)	STAINLESS STEEL
6205	6205						

THERMOSTATS	PROTECTORS	WDG RTD's	BRG RTD's	THERMISTORS	CONTROL	SPACE HEATERS
NONE	NOT	NONE	NONE	NONE	FALSE	NA

R1 (ohms/ph)	R2 (ohms/ph)	X1 (ohms/ph)	X2 (ohms/ph)	Xm (ohms/ph)	VIBRATION (in/sec)	FLOAT
0	0	0	0	0	0.150	ODE

* N O T E S *	INVERTER TORQUE: CONSTANT 6:1 INV. HP SPEED RANGE: NONE	
	ENCODER: NONE	
	NONE	
	NONE	
	NONE PPR	

DATE: 1/24/2018	BRAKE: NONE	
	NONE NONE NONE	
	FT-LB: NA	NONE
	VOLTAGE: NONE	HZ:
UL: Y-(LEESON UL REC)		

Data Sheet

Date: 1/24/2018

117281.00



Data @ 460 V

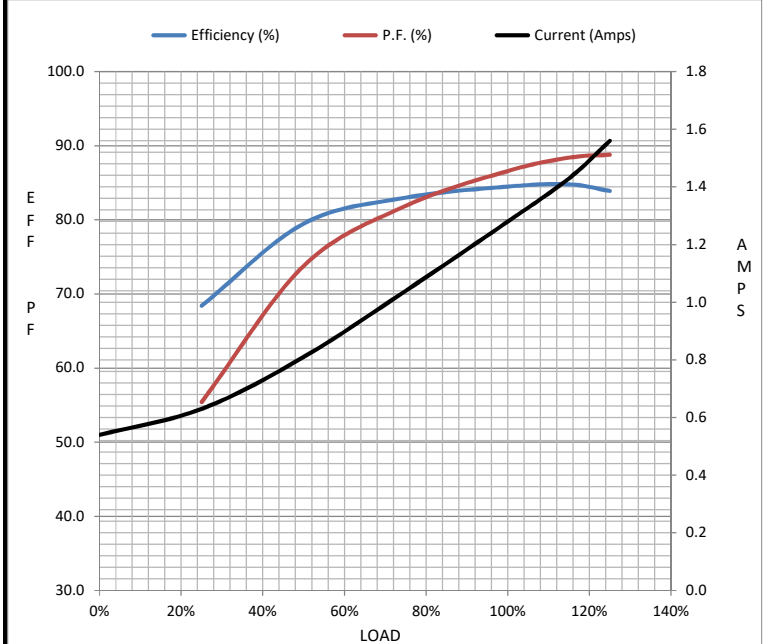
Motor Load Data

Load	0%	25%	50%	75%	100%	115%	125%	LR
Current (Amps)	0.54	0.63	0.81	1.04	1.28	1.43	1.56	12.2
Torque (ft-lb)	0.00	96.0	192	288	384	442	480	1,253
RPM	3600	3571	3550	3528	3503	3,486	3478	0
Efficiency (%)		68.4	79.5	83.0	84.5	84.8	83.9	
P.F. (%)	30.4	55.4	73.8	81.9	86.6	88.4	88.8	0.0

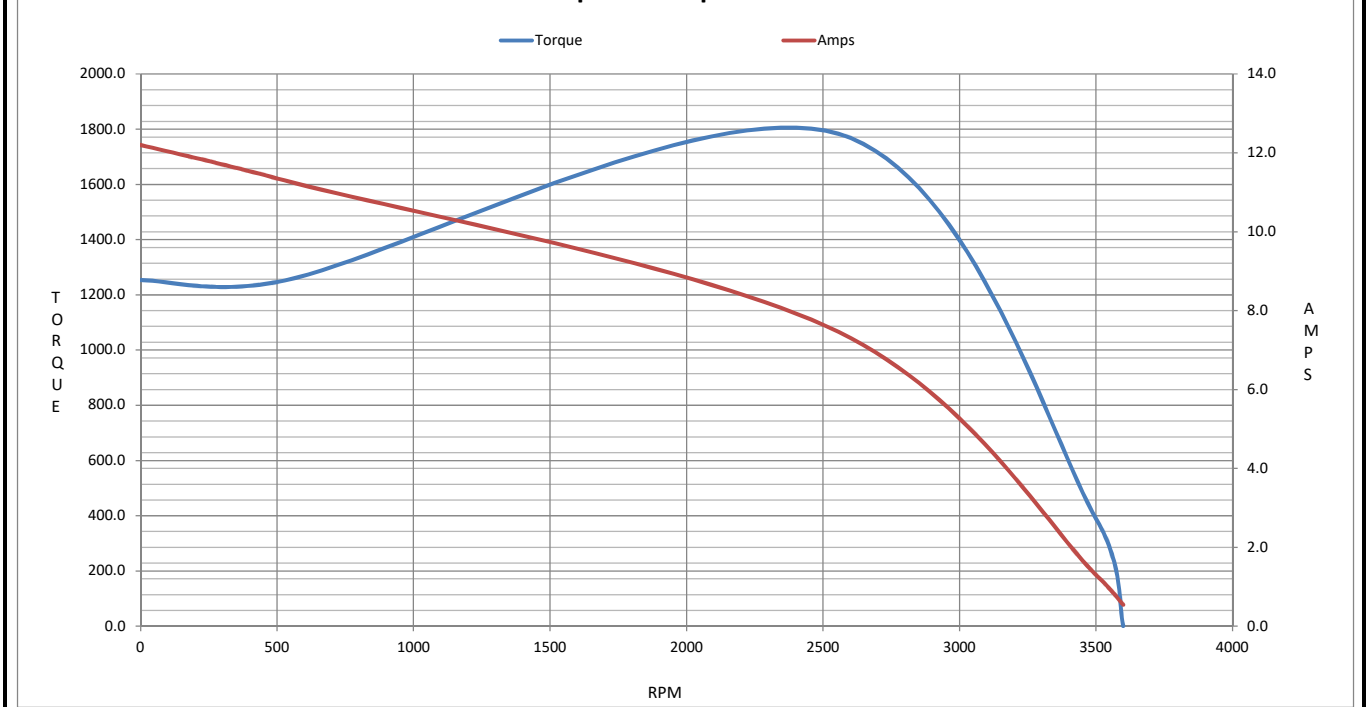
Motor Speed Data

	LR	Pull-Up	BD	Rated	Idle
Speed (RPM)	0	528	2557	3503	3600
Current (Amps)	12.2	11.3	7.5	1.28	0.54
Torque (ft-lb)	1,253	1,252	1,783	384	0.00

Information Block				
HP	1.0			
Sync. RPM	3600			
Frame	140			
Enclosure	TENV			
Construction	NA			
Voltage	230/460#190/380 V			
Frequency	60 Hz			
Design	A			
LR Code letter	L			
Service Factor	1.0			
Temp Rise @ FL	98 °C			
Duty	CONT			
Ambient	40 °C			
Elevation	1,000 feet			
Rotor/Shaft wk <sup>2</sup>	0.07 Lb-Ft <sup>2</sup>			
Ref Wdg	T632233 NR			
Sound Pressure @ 1M	999 dBA			
VFD Rating	CONSTANT 6:1			
Outline Dwg	028942-700			
Conn. Diag	005010.01			
Additional Specifications:				
0				
0				
EQUIV CKT (OHMS / PHASE)				
R1	R2	X1	X2	Xm
0.0000	0.0000	0.0000	0.0000	0.0000



Speed - Torque Curve



## EC Declaration of Conformity

The undersigned representing  
the manufacturer:

Regal Beloit America  
100 East Randolph St.  
Wausau, WI 54401

and the authorized representative  
established within the Community:

Marathon Electric UK  
6F Thistleton Road Ind. Estate  
Market Overton  
Oakham, Rutland LE15 7PP UK

are committed to providing customers with products that comply with applicable regulations and international protocols to which they are subject, including the requirements of the European Parliament Directive on the Harmonization of the laws relating to electrical equipment designed for use within certain voltage limits (2014/35/EU).

Regal Beloit America declares that the following product(s), to which this declaration relates, are in conformity with the relevant sections of the EC standards listed below.

This statement supersedes any statements previously issued pertaining to the product(s) listed below and is subject to change without notice.

Model No : 117281.00

(Model No. may contain prefix and/or suffix characters)

Catalog No : 117281.00

Rework No : N/A

Directives :

Low Voltage Directive 2014/35/EU

Harmonized Standards Used :

EN 60034-1: 2010 (IEC 60034-1: 2010)

EN 60034-5: 2001/A1:2007 (IEC 60034-5: 2000/A1:2006)

Authorized Representative:



Michael A. Logsdon  
Vice President, Technology

Authorized Representative in the Community:



Julian Clark  
Marketing Engineer

Created on 09/01/2022

**CE 22**