

# PRODUCT INFORMATION PACKET



Model No: 114307.00

Catalog No: 114307.00

Special Voltage Motor, 0.75 HP, 3 Ph, 50 Hz, 220/380/440 V, 1500 RPM, 56 Frame, TEFC



Regal and Leeson are trademarks of Regal Rexnord Corporation or one of its affiliated companies.

©2022 Regal Rexnord Corporation, All Rights Reserved. MC017097E



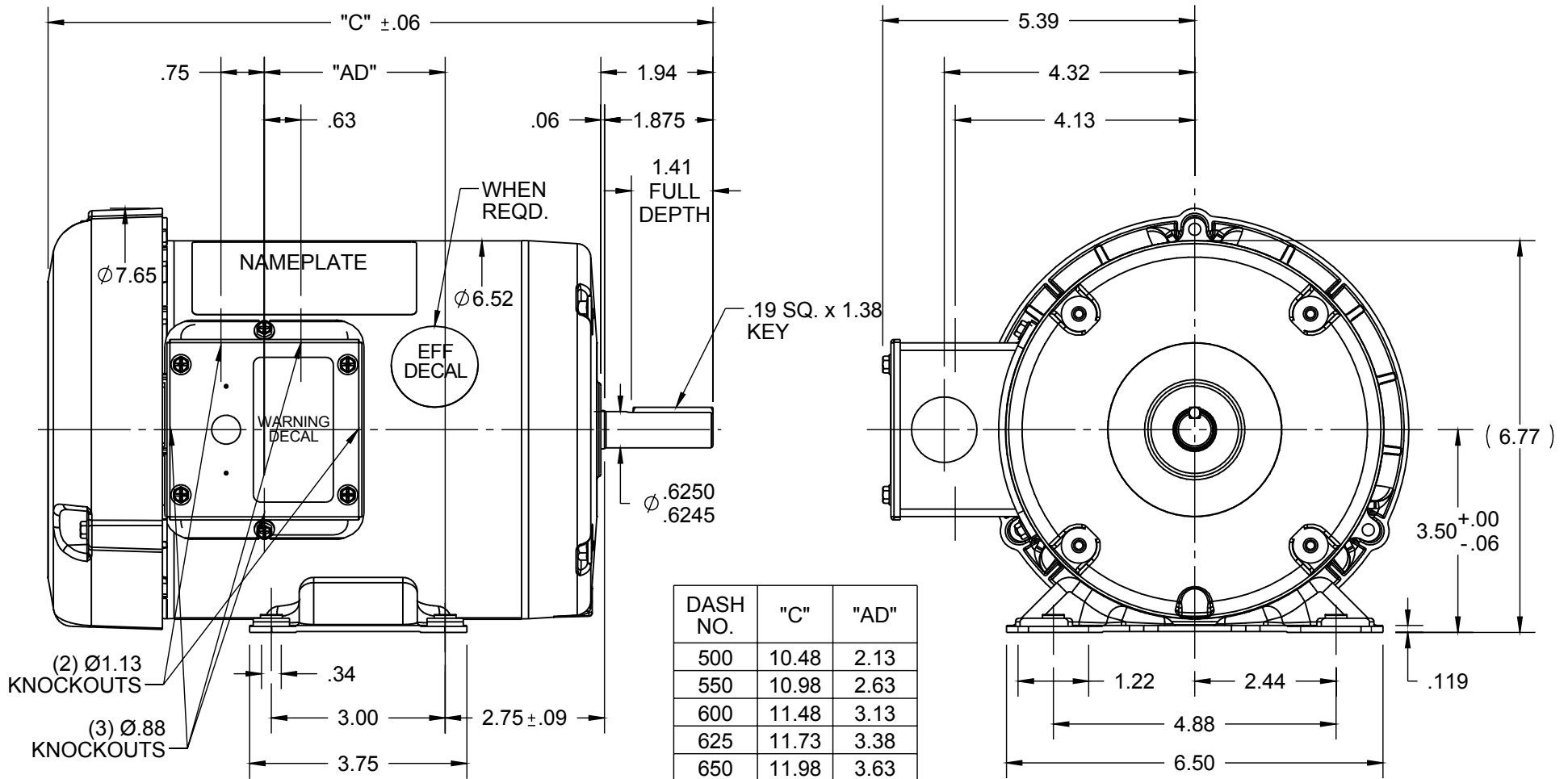


### Nameplate Specifications

Output HP	<b>0.75 Hp</b>	Output KW	<b>0.56 kW</b>
Frequency	<b>50 Hz</b>	Voltage	<b>220/380/440 V</b>
Current	<b>3.2/1.9/1.6 A</b>	Speed	<b>1425 rpm</b>
Service Factor	<b>1.15</b>	Phase	<b>3</b>
Efficiency	<b>74 %</b>	Power Factor	<b>62</b>
Duty	<b>Continuous</b>	Insulation Class	<b>B</b>
Design Code	<b>NO DESIGN CODE</b>	KVA Code	<b>J</b>
Frame	<b>56</b>	Enclosure	<b>Totally Enclosed Fan Cooled</b>
Thermal Protection	<b>No Protection</b>	Ambient Temperature	<b>40 °C</b>
Drive End Bearing Size	<b>6203</b>	Opp Drive End Bearing Size	<b>6203</b>
UL	<b>Recognized</b>	CSA	<b>Y</b>
CE	<b>Y</b>	IP Code	<b>54</b>
Number of Speeds	<b>1</b>		

### Technical Specifications

Electrical Type	<b>Squirrel Cage Induction Run</b>	Starting Method	<b>Across The Line</b>
Poles	<b>4</b>	Rotation	<b>Reversible</b>
Resistance Main	<b>0 Ohms</b>	Mounting	<b>Rigid Base</b>
Motor Orientation	<b>Horizontal</b>	Drive End Bearing	<b>Ball</b>
Opp Drive End Bearing	<b>Ball</b>	Frame Material	<b>Rolled Steel</b>
Shaft Type	<b>NEMA 56</b>	Overall Length	<b>10.98 in</b>
Frame Length	<b>5.50 in</b>	Shaft Diameter	<b>0.625 in</b>
Shaft Extension	<b>1.88 in</b>	Assembly/Box Mounting	<b>F1 ONLY</b>
Outline Drawing	<b>028781-550</b>	Connection Drawing	<b>005381.01</b>

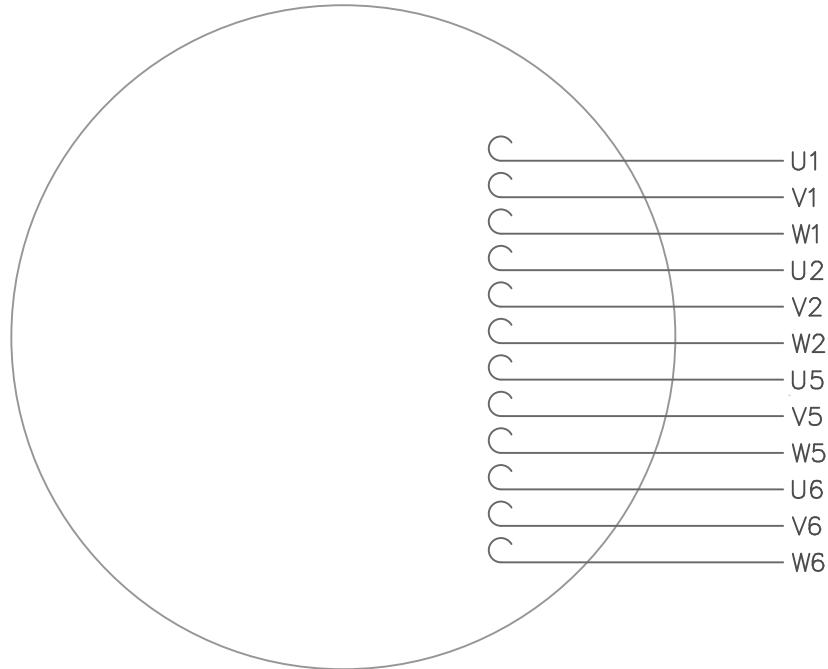


NOTES:  
1) GASKETS THROUGHOUT

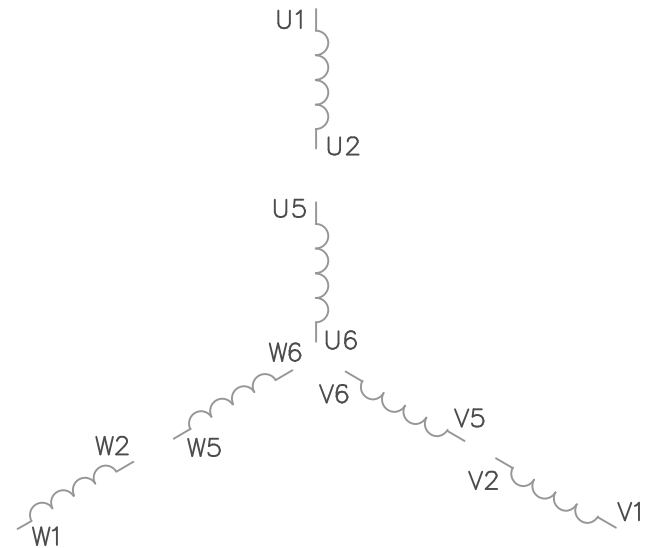
ORACLE  
REV  
003

DRAWING REVISION E		REVISION BY LK		DATE 11/24/2015		TOLERANCES UNLESS OTHERWISE SPECIFIED:		DRAWN BY KMM		Regal Beloit America, Inc.	
ECO ECO-0089388		APPROVED BY GRB		DATE 11/24/2015		DEC. INCH mm ANGLE .X ±0.1 [±2.5] ±0.5° .XX ±0.03 [±0.76] .XXX ±0.005 [±0.127] .XXXX ±0.0005 [±0.0127]		DATE 08/10/07			
ECO DESCRIPTION ADDED DASH #675 PER NMR-0089703						REMOVE BURRS & BREAK SHARP EDGES: .003/.015 [.076/.381] X 45° CORNER FILLETS: R.02 [.51] MACHINED SURFACES: 125/3.2 INCH/mm		APPROVED BY		DESCRIPTION OUTLINE 56 FRAME TEFC - RIGID	
COPYRIGHT REGAL BELOIT AMERICA, INC. ALL RIGHTS RESERVED. PROPRIETARY AND CONFIDENTIAL INFORMATION - THIS DOCUMENT IS THE PROPERTY OF REGAL BELOIT AMERICA, INC. ("OWNER") AND CONTAINS OWNER'S PROPRIETARY INFORMATION. ANY PERSON, CORPORATION OR OTHER FIRM RECEIVING IT IS DEEMED, BY RECEIVING IT, TO AGREE THAT IT, AND/OR ANY PART OF IT, SHALL NOT BE DISCLOSED TO ANY PERSON, CORPORATION OR OTHER ENTITY, DUPLICATED, AND/OR USED, EXCEPT AS EXPRESSLY APPROVED IN WRITING IN ADVANCE BY OWNER. THIS DOCUMENT SHALL BE RETURNED TO OWNER UPON REQUEST. IT MAY BE SUBJECT TO CERTAIN RESTRICTIONS UNDER APPLICABLE EXPORT CONTROL LAWS AND REGULATIONS.						REFERENCE 600053		MATERIAL		PROCESS/FINISH GENERAL PURPOSE	
						THIRD ANGLE PROJECTION		SIZE A		DRAWING NUMBER 028781	

VIEW FROM OUTSIDE OF MOTOR AT SWITCH END.



LINE LEADS



VOLTAGE	L1	L2	L3	JOIN
(2Δ) LOW	U1,W2 U5,W6	V1,U2 V5,U6	W1,V2 W5,V6	-----
(2Y) MEDIUM	U1,U5	V1,V5	W1,W5	(U2,V2,W2) (U6,V6,W6)
(1Δ) HIGH	U1,W6	V1,U6	W1,V6	(U2,U5) (V2,V5) (W2,W5)

TOLERANCES UNLESS OTHERWISE SPECIFIED

DECIMALS

.00 ± .01

.000 ± .005

.0000 ± .0005

FRACTIONS ± 1/64

ANGLES ± 1/2°

INCH/MM

**LEESON** ELECTRIC CORPORATION

DRAWN GWS 2/23/96

CH'K'D.

APPR.

SCALE 1=1

REF. 005352 PG 3

FMF

TITLE

MAT'L.

FINISH

EXT. WIRING DIAGRAM

TYPE "T" W/O PROTECTOR

DECAL - 080590

STOCK

SIZE

A

DRAWING NO.

005381-01

1 REDRAWN TO CURRENT STANDARDS

NO. REVISION

DBT

BY

05/30/97

DATE

THIS DRAWING IN DESIGN AND DETAIL IS OUR PROPERTY AND MUST NOT BE USED EXCEPT IN CONNECTION WITH OUR WORK ALL RIGHTS OF DESIGN AND INVENTION ARE RESERVED

P.O. BOX 8003  
 WAUSAU, WI 54401-8003  
 PH. 715-675-3311



DATA VOLTS: 460

**CERTIFICATION DATA SHEET**

CONN. DIAGRAM: 005381.01  
 OUTLINE: 028781-550  
 WINDING: T634218

CAT #: 114307.00

FR 4

**TYPICAL MOTOR PERFORMANCE DATA**

HP	KW	SYNC RPM	FL RPM	FRAME	ENCLOSURE	TYPE	KVA CODE	DESIGN
0.75	0.56	1500	1447	56	TEFC	NA	J	NONE

PH	HZ	VOLTS	AMPS	START TYPE	DUTY	INSL	S.F.	AMB	ELEV.
3	50	220/380	3.15/1.85	ACROSS THE LINE	CONT	B	1.15	40	3300

F.L. EFF	75.9	3/4 LD EFF	73.9	1/2 LD EFF	68.1	GTD EFF	ELECT. TYPE
F.L. PF	60.6	3/4 LD PF	51.0	1/2 LD PF	39.3	0.0	SQ CAGE IND RUN

F.L. TORQUE	LR AMPS @ 460 V	L.R. TORQUE	B.D. TORQUE	F.L. RISE (°C)
2.70 LB-FT	10.3	8.7 LB-FT 322%	11.8 LB-FT 437%	65

PRESSURE @ 3	POWER	ROTOR WK²	MAX. LOAD WK²	SAFE STALL TIME	STARTS/HOUR	MOTOR WGT
999 dBA	1008 dBA	0.07 LB-FT²	0 LB-FT²	10 SEC.	0	0 LB.

\*\*\* SUPPLEMENTAL INFORMATION \*\*\*

DE BRACKET TYPE	ODE BRACKET TYPE	MOUNT TYPE	MOTOR ORIENTATION	SEVERE DUTY	HAZARDOUS LOCATION	DRIP COVER	SCREENS	PAINT
STANDARD	STANDARD	RIGID	HORIZONTAL	NO	NONE	NO	NONE	JE - LEESON (ENAM)

BEARINGS		GREASE	SHAFT TYPE	SPECIAL DE	SPECIAL ODE	SHAFT MATERIAL	FRAME MATERIAL
DE	ODE	POLYREX EM	STANDARD 56	NONE	NONE	1144 STRESSPROOF (C-223)	ROLLED STEEL
BALL	BALL						
6203	6203						

THERMOSTATS	PROTECTORS	WDG RTD's	BRG RTD's	THERMISTORS	CONTROL	SPACE HEATERS
NONE	NOT	NONE	NONE	NONE	FALSE	NA

R1 (ohms/ph)	R2 (ohms/ph)	X1 (ohms/ph)	X2 (ohms/ph)	Xm (ohms/ph)	VIBRATION (in/sec)	FLOAT
0	0	0	0	0	0.080	ODE

* N O T E S *	INVERTER TORQUE: NONE INV. HP SPEED RANGE: NONE					
	ENCODER: NONE NONE NONE					
	NONE PPR					

DATE: 1/18/2018	BRAKE: NONE NONE NONE FT-LB: NA VOLTAGE: NONE HZ: UL: Y-(LEESON UL REC)
-----------------	---

Data Sheet

Date: 1/18/2018

114307.00



Data @ **380 V**

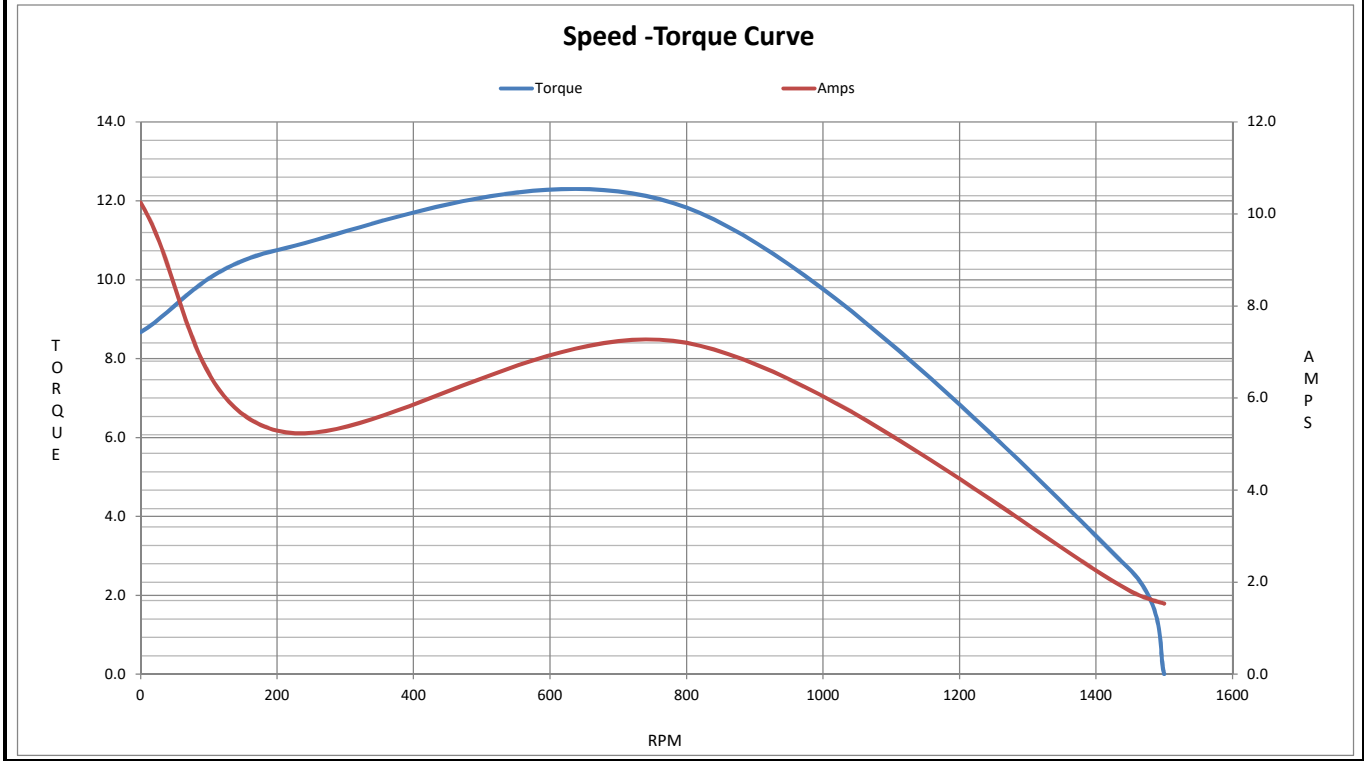
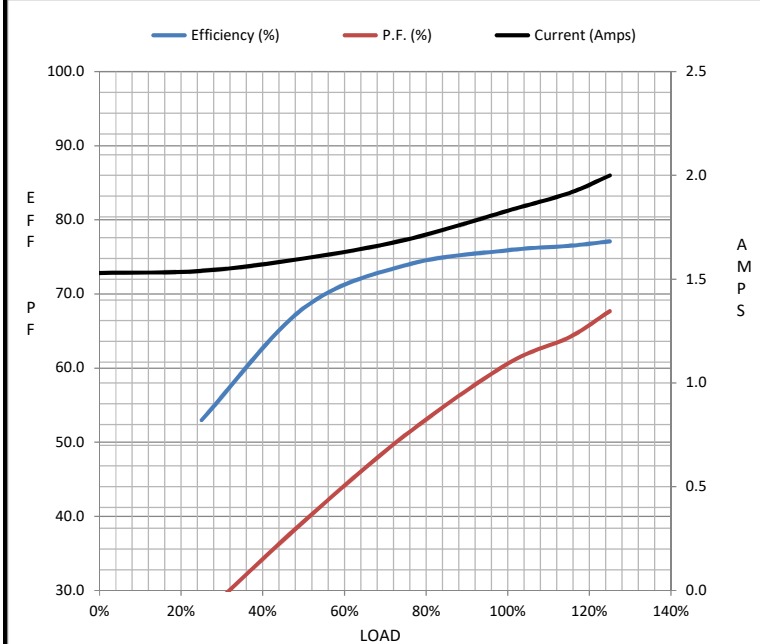
Motor Load Data

Load	0%	25%	50%	75%	100%	115%	125%	LR
Current (Amps)	1.53	1.54	1.60	1.69	1.83	1.92	2.00	10.3
Torque (ft-lb)	0.00	0.68	1.35	2.03	2.70	3.0	3.4	8.7
RPM	1500	1486	1473	1461	1447	1,441	1433	0
Efficiency (%)		53.0	68.1	73.9	75.9	76.5	77.1	
P.F. (%)	13.6	26.5	39.3	51.0	60.6	64.2	67.7	0.0

Motor Speed Data

	LR	Pull-Up	BD	Rated	Idle
Speed (RPM)	0	200	800	1447	1500
Current (Amps)	10.3	5.3	7.2	1.83	1.53
Torque (ft-lb)	8.7	10.8	11.8	2.70	0.00

Information Block				
HP	0.8			
Sync. RPM	1500			
Frame	140			
Enclosure	TEFC			
Construction	NA			
Voltage	220/380 V			
Frequency	50 Hz			
Design	B			
LR Code letter	J			
Service Factor	1.15			
Temp Rise @ FL	65 °C			
Duty	CONT			
Ambient	40 °C			
Elevation	1,000 feet			
Rotor/Shaft wk <sup>2</sup>	0.07 Lb-Ft <sup>2</sup>			
Ref Wdg	T634218 FR			
Sound Pressure @ 1M	999 dBA			
VFD Rating	NONE			
Outline Dwg	028781-550			
Conn. Diag	005381.01			
Additional Specifications:				
0				
0				
EQUIV CKT (OHMS / PHASE)				
R1	R2	X1	X2	Xm
0.0000	0.0000	0.0000	0.0000	0.0000



## EC Declaration of Conformity

The undersigned representing  
the manufacturer:

Regal Beloit America  
100 East Randolph St.  
Wausau, WI 54401

and the authorized representative  
established within the Community:

Marathon Electric UK  
6F Thistleton Road Ind. Estate  
Market Overton  
Oakham, Rutland LE15 7PP UK

are committed to providing customers with products that comply with applicable regulations and international protocols to which they are subject, including the requirements of the European Parliament Directive on the Harmonization of the laws relating to electrical equipment designed for use within certain voltage limits (2014/35/EU).

Regal Beloit America declares that the following product(s), to which this declaration relates, are in conformity with the relevant sections of the EC standards listed below.

This statement supersedes any statements previously issued pertaining to the product(s) listed below and is subject to change without notice.

Model No : 114307.00

(Model No. may contain prefix and/or suffix characters)

Catalog No : 114307.00

Rework No : N/A

Directives :

Low Voltage Directive 2014/35/EU

Harmonized Standards Used :

EN 60034-1: 2010 (IEC 60034-1: 2010)

EN 60034-5: 2001/A1:2007 (IEC 60034-5: 2000/A1:2006)

Authorized Representative:



Michael A. Logsdon  
Vice President, Technology

Authorized Representative in the Community:



Julian Clark  
Marketing Engineer

Created on 09/01/2022

**CE 22**