

# PRODUCT INFORMATION PACKET



Model No: 101341.00  
Catalog No: 101341.00  
Poultry Fan Motor, 0.25 HP, 1 Ph, 60 Hz, 115/230 V, 1800 RPM, 48Y Frame, TEAO



Regal and Leeson are trademarks of Regal Rexnord Corporation or one of its affiliated companies.  
©2023 Regal Rexnord Corporation, All Rights Reserved. MC017097E



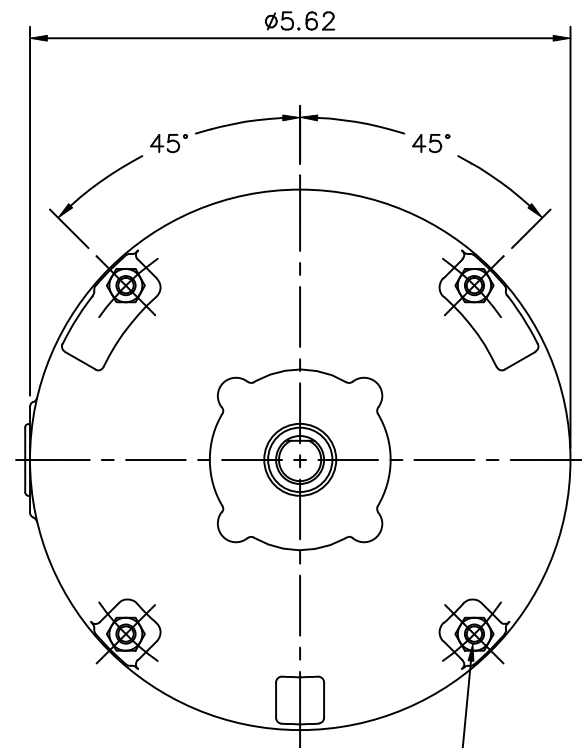
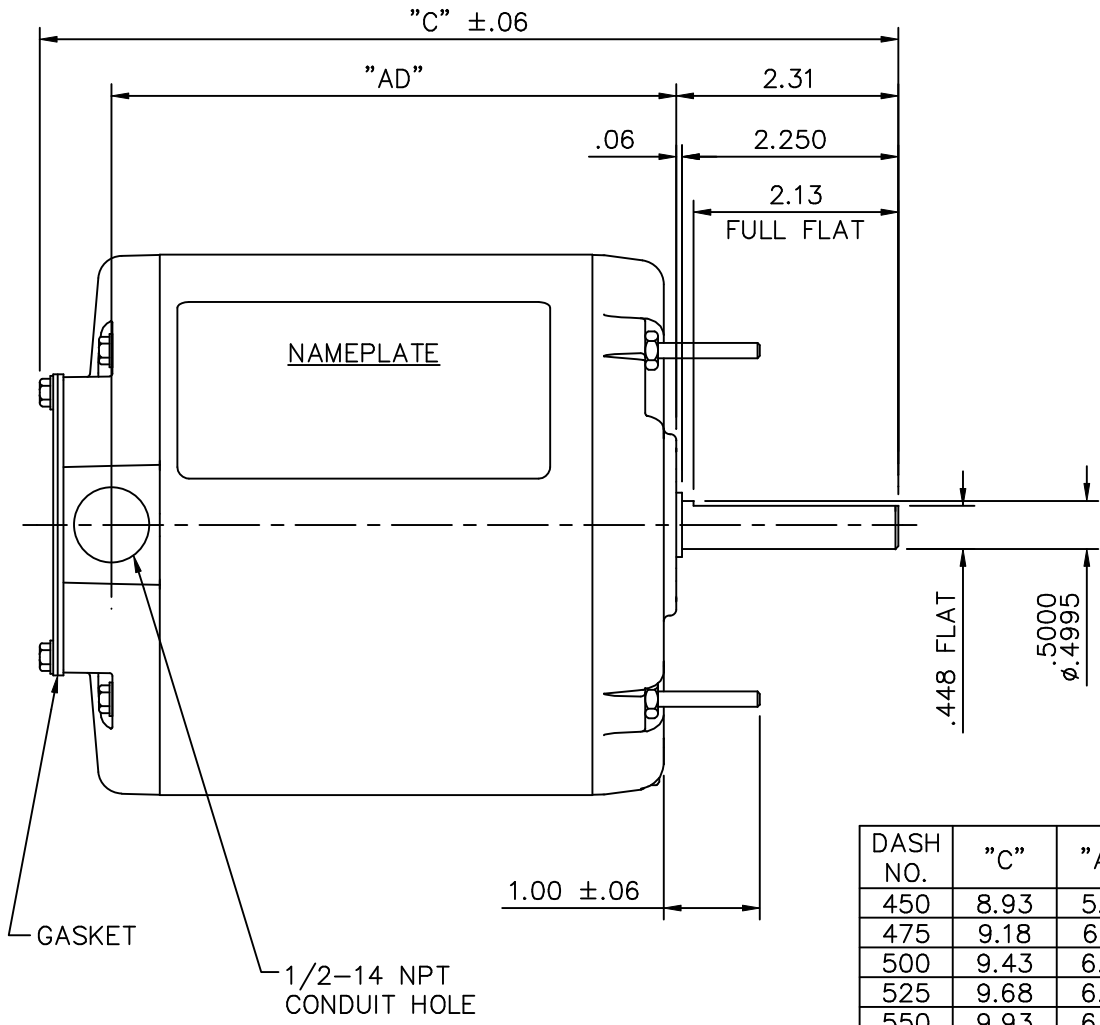


### Nameplate Specifications

Output HP	<b>0.25 Hp</b>	Output KW	<b>0.19 kW</b>
Frequency	<b>60 Hz</b>	Voltage	<b>115/230 V</b>
Current	<b>2.8/1.4 A</b>	Speed	<b>1625 rpm</b>
Service Factor	<b>1</b>	Phase	<b>1</b>
Efficiency	<b>70 %</b>	Power Factor	<b>87</b>
Duty	<b>Continuous</b>	Insulation Class	<b>B</b>
Design Code	<b>NO DESIGN CODE</b>	KVA Code	<b>D</b>
Frame	<b>48Y</b>	Enclosure	<b>Totally Enclosed Air Over</b>
Thermal Protection	<b>Automatic</b>	Ambient Temperature	<b>40 °C</b>
Drive End Bearing Size	<b>6203</b>	Opp Drive End Bearing Size	<b>6203</b>
UL	<b>Recognized</b>	CSA	<b>Y</b>
CE	<b>N</b>	IP Code	<b>43</b>
Number of Speeds	<b>1</b>		


### Technical Specifications

Electrical Type	<b>Permanent Split Capacitor</b>	Starting Method	<b>Across The Line</b>
Poles	<b>4</b>	Rotation	<b>Selective Counterclockwise</b>
Resistance Main	<b>9.88 Ohms</b>	Mounting	<b>Round</b>
Motor Orientation	<b>Horizontal</b>	Drive End Bearing	<b>Ball</b>
Opp Drive End Bearing	<b>Ball</b>	Frame Material	<b>Rolled Steel</b>
Shaft Type	<b>NEMA 48</b>	Overall Length	<b>8.93 in</b>
Frame Length	<b>4.50 in</b>	Shaft Diameter	<b>0.500 in</b>
Shaft Extension	<b>2.13 in</b>	Assembly/Box Mounting	<b>F1 ONLY</b>
Connection Drawing	<b>005109.16</b>	Outline Drawing	<b>031708-450</b>

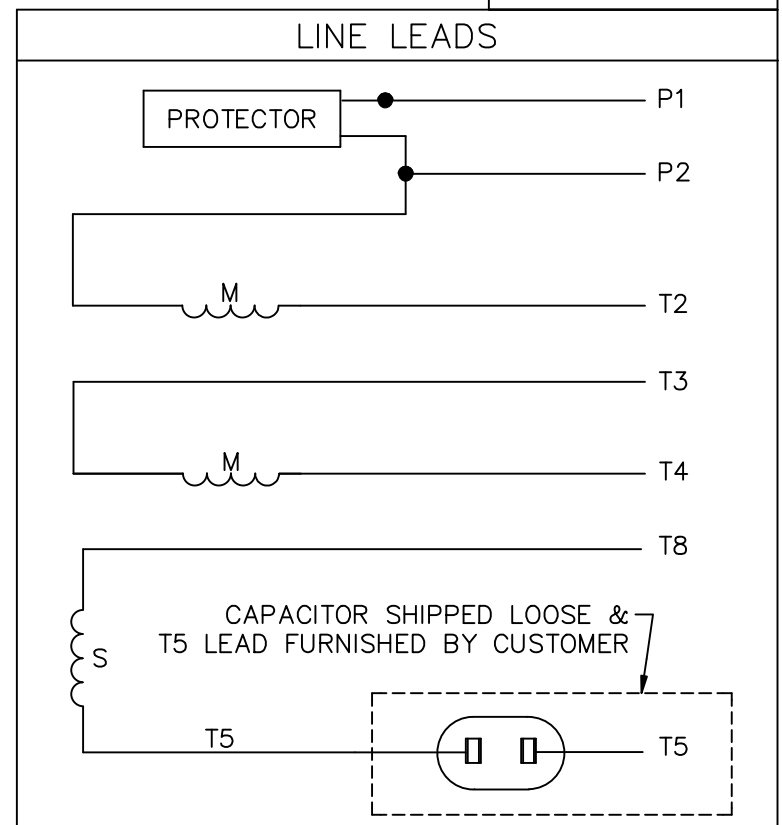
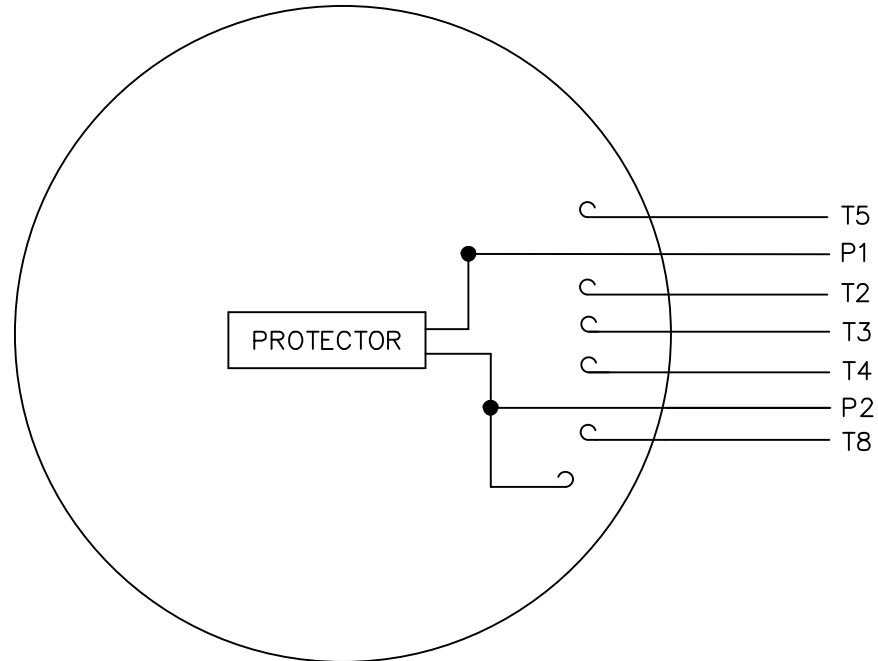


10-32 UNF 2A THRU BOLTS  
(4) REQ'D. ON A Ø5.125 B.C.


DASH NO.	"C"	"AD"
450	8.93	5.87
475	9.18	6.12
500	9.43	6.37
525	9.68	6.62
550	9.93	6.87
575	10.18	7.12
600	10.43	7.37
625	10.68	7.62
650	10.93	7.87
675	11.18	8.12

				TOLERANCES UNLESS SPECIFIED		 ELECTRIC MOTORS GEARMOTORS AND DRIVES		DRAWN PG 7/24/02		
				DEC.	INCHES			CHK		
				.X	±.1			APPD		
				.XX	±.03			SCALE 1=2		
				.XXX	±.005			REF 030642		
				.XXXX	±.0005	MAT'L.		FMF 101341.00		
NO.	REVISION	BY & DATE	CHK	ANG	±1/2"	FINISH		PREV		
THIS DRAWING IN DESIGN AND DETAIL IS OUR PROPERTY AND MUST NOT BE USED EXCEPT IN CONNECTION WITH OUR WORK ALL RIGHTS OF DESIGN AND INVENTION ARE RESERVED THIS IS AN ELECTRONICALLY GENERATED DOCUMENT - DO NOT SCALE THIS PRINT				RFP		CAD FILE 031708		SIZE A	DRAWING NO. 031708	REV.
				DIST						

VIEW FROM OUTSIDE OF MOTOR AT SWITCH END.



	ROTATION FACING LEAD END	L1	L2	JOIN	INSULATE SEPARATELY
HIGH VOLT	C.C.W.	P1	T4 T5	T2,T3 T8	P2
	C.W.	P1	T4 T8	T2,T3 T5	P2
LOW VOLT	C.C.W.	P1	T2,T4 T5	P2,T3 T8	--
	C.W.	P1	T2,T4 T8	P2,T3 T5	--

		TOLERANCES UNLESS SPECIFIED		 ELECTRIC MOTORS GEARMOTORS AND DRIVES		DRAWN PG 7/25/02	
		DEC.	INCHES			CHK	
		.X	±.1	TITLE		SCALE 1=1	
02 DECAL WAS 080439 ISAAC 10-3389		GWS 8/4/10	.XXX ±.005	EXTERNAL WIRING DIAGRAM TYPE "P" W/PROTECTOR		REF 005109-06	
01 UPDATED CAPACITOR NOTE PER CN #03-96		KMM 3/21/03	PG .XXXX ±.0005	MAT'L. DECAL - 92381		FMF 101341.00	
NO. REVISION		BY & DATE	CHK ANG ±1/2'	FINISH		PREV	
THIS DRAWING IN DESIGN AND DETAIL IS OUR PROPERTY AND MUST NOT BE USED EXCEPT IN CONNECTION WITH OUR WORK ALL RIGHTS OF DESIGN AND INVENTION ARE RESERVED THIS IS AN ELECTRONICALLY GENERATED DOCUMENT - DO NOT SCALE THIS PRINT		RFP	CAD FILE	00510916	SIZE	DRAWING NO.	REV.
		DIST			A	005109-16	02



**1051 CHEYENNE AVE.  
GRAFTON, WI 53024  
PH. 262-377-8810**

**CERTIFICATION DATA SHEET**

**CONN. DIAGRAM:** 005109.16

**CATALOG #:** 101341.00

**OUTLINE:** 031708-450

**MOUNTING:** F1 ONLY

**WINDING #:** PE484448 3 C

**TYPICAL MOTOR PERFORMANCE DATA**

HP	kW	SYNC. RPM	F.L. RPM	FRAME	ENCLOSURE	KVA CODE	DESIGN
1/4	0.19	1800	1625	48Y	TEAO	D	NO DESIGN CODE

PH	Hz	VOLTS	AMPS	START TYPE	DUTY	INSL	S.F.	AMB°C
1	60	115/230	2.8/1.4	ACROSS THE LINE	CONTINUOUS	B3	1.0	40

FULL LOAD EFF:	70	3/4 LOAD EFF:	67.2	1/2 LOAD EFF:	58.1	GTD. EFF	ELEC. TYPE
FULL LOAD PF:	87	3/4 LOAD PF:	83	1/2 LOAD PF:	76	66	PSC 1 SPEED

F.L. TORQUE	LOCKED ROTOR AMPS	L,R. TORQUE	B,D. TORQUE	F.L. RISE°C
12.56 OZ-FT	10 / 5	8 OZ-FT 67 %	27 OZ-FT 225 %	65

SOUND PRESSURE @ 3 FT.	SOUND POWER	ROTOR WK^2	MAX. WK^2	SAFE STALL TIME	STARTS / HOUR	APPROX. MOTOR WGT
0 dBA	10 dBA	-1 LB-FT^2	0 LB-FT^2	0 SEC.	0	15 LBS.

**\*\*\* SUPPLEMENTAL INFORMATION \*\*\***

DE BRACKET TYPE	ODE BRACKET TYPE	MOUNT TYPE	ORIENTATION	SEVERE DUTY	HAZARDOUS LOCATION	DRIP COVER	SCREENS	PAINT
STANDARD	STANDARD	ROUND	HORIZONTAL	FALSE	NONE	FALSE	NONE	GRAY - LIGHT

BEARINGS		GREASE	SHAFT TYPE	SPECIAL DE	SPECIAL ODE	SHAFT MATERIAL	FRAME MATERIAL
DE	ODE						
BALL	BALL	MULTEMP SRL	STANDARD 48	NONE	NONE	1144 STRESSPROOF (C-223)	ROLLED STEEL
6203	6203						

THERMO-PROTECTORS				THERMISTORS	CONTROL	SPACE HEATERS
THERMOSTATS	PROTECTORS	WDG RTDs	BRG RTDs			
NONE	AUTOMATIC	NONE	NONE	NONE	FALSE	NONE VOLTS

\*  
N  
O  
T  
E  
S

<b>INVERTER TORQUE:</b> NONE
<b>INV. HP SPEED RANGE:</b> NONE
<b>ENCODER:</b> NONE
NONE NONE
NONE NONE PPR
<b>BRAKE:</b> NONE NONE
NONE P/N NONE
NONE NONE
NONE FT-LB NONE V NONE HZ



**LEESON ELECTRIC CORPORATION**  
TYPICAL PERFORMANCE CURVE for AC MOTOR

Model No 101341.00

Curve at 230  
60  
0.25

Volts  
HZ  
HP

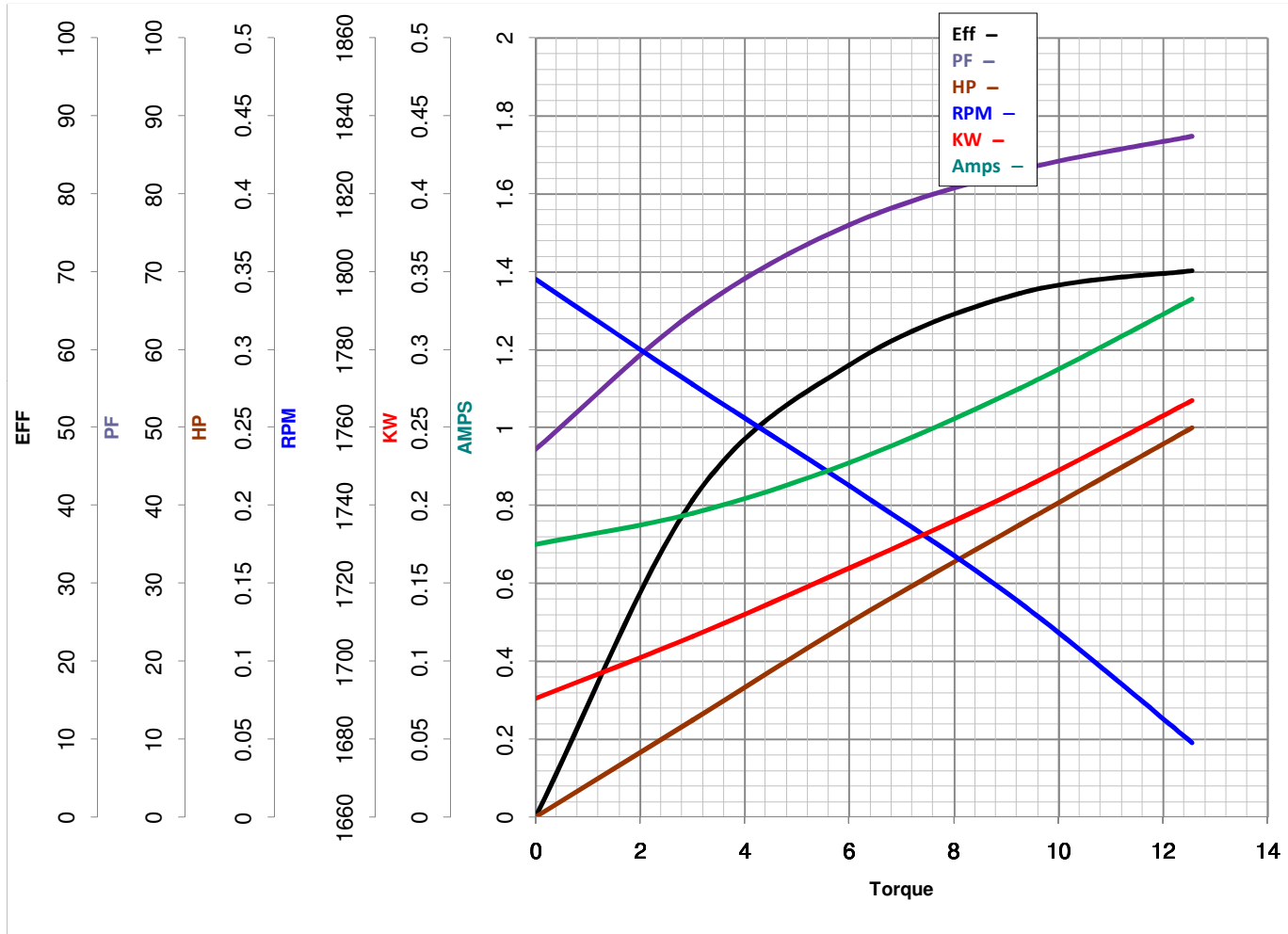
HP 0.26  
  
VOLTS 115/230

PHASE 1

Catalog No 101341.00

HZ 60

RPM 1625



Torque in Oz.Ft

FL TORQUE 12.56 Oz.Ft  
BD TORQUE 27.0 Oz.Ft  
LR TORQUE 8 Oz.Ft

FL AMPS 2.8/1.4  
PU TORQUE 7.5 Oz.Ft  
LR AMPS 5

WINDING PE484448-3

Date 4/11/2018