

PRODUCT INFORMATION PACKET



Model No: 092014.00

Catalog No: 092014.00

General Purpose Motor, 0.17 HP, 3 Ph, 60 Hz, 208-230/460 V, 3600 RPM, 42 Frame, TENV



Regal and Leeson are trademarks of Regal Rexnord Corporation or one of its affiliated companies.

©2024 Regal Rexnord Corporation, All Rights Reserved. MC017097E



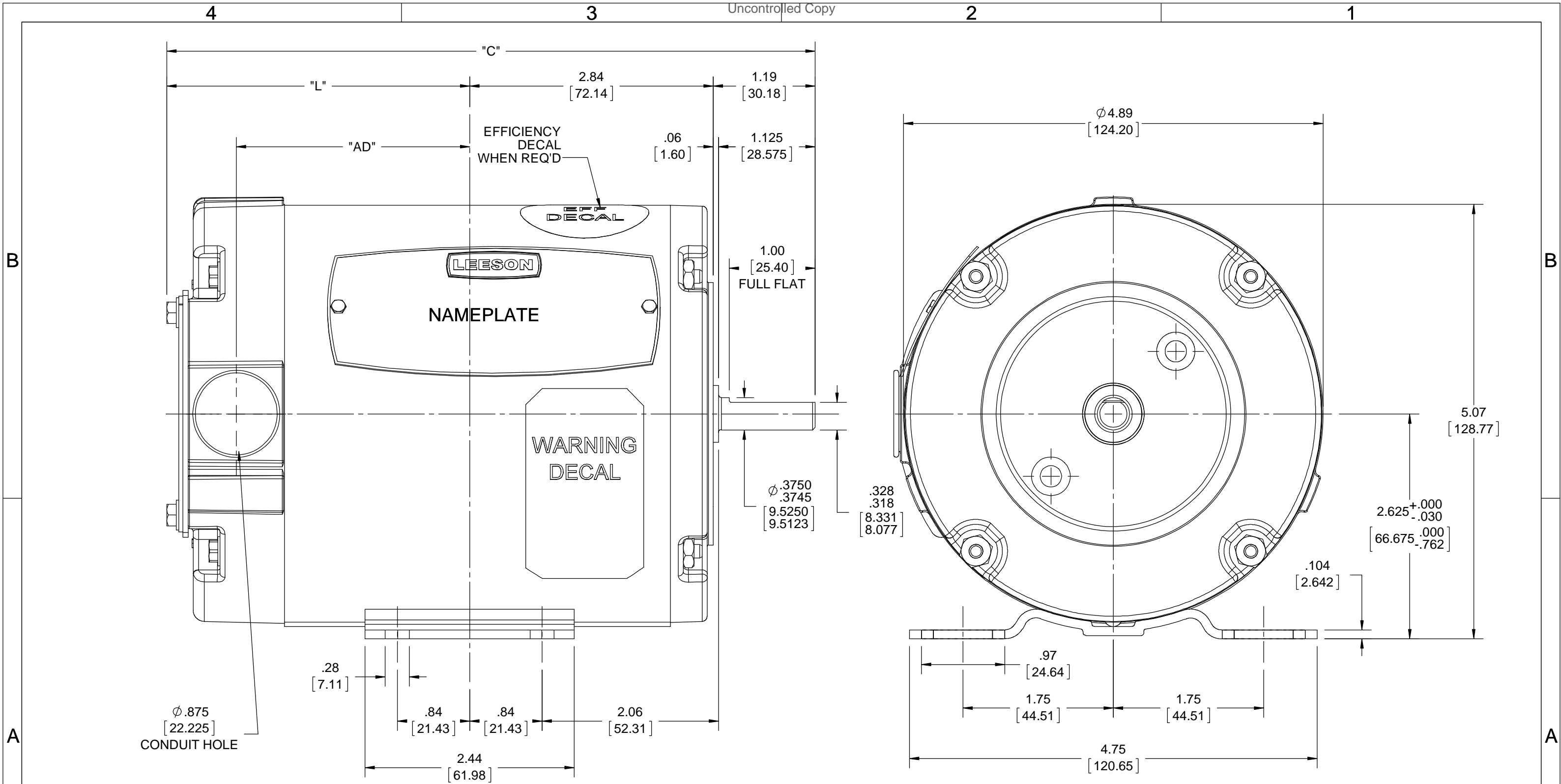


Nameplate Specifications

Phase	3	Output HP	0.17 Hp
Output KW	0.13 kW	Voltage	208-230/460 V
Speed	3450 rpm	Service Factor	1.0
Frame	42	Enclosure	Totally Enclosed Non Ventilated
Thermal Protection	No Protection	Efficiency	65 %
Ambient Temperature	40 °C	Frequency	60 Hz
Current	0.66/0.33 A	Power Factor	69
Duty	Continuous	Insulation Class	B
Design Code	NO DESIGN CODE	KVA Code	L
Drive End Bearing Size	6203	Opp Drive End Bearing Size	6203
UL	Recognized	CSA	Y
CE	N	IP Code	43
Number of Speeds	1		

Technical Specifications

Electrical Type	Squirrel Cage Induction Run	Starting Method	Across The Line
Poles	2	Rotation	Reversible
Resistance Main	0 Ohms	Mounting	Rigid Base
Motor Orientation	Horizontal	Drive End Bearing	Ball
Opp Drive End Bearing	Ball	Frame Material	Rolled Steel
Shaft Type	STANDARD 42	Overall Length	7.56 in
Frame Length	4.50 in	Shaft Diameter	0.375 in
Shaft Extension	1.12 in	Assembly/Box Mounting	F1 ONLY
Connection Drawing	005010.01	Outline Drawing	027930-G42



NOTE:-
1. GASKETS THROUGHOUT.

FRAME	"C"	"L"	"AD"
G42	7.56 [192.02]	3.53 [89.66]	2.72 [69.08]
H42	7.81 [198.37]	3.78 [96.01]	2.97 [75.43]
J42	8.06 [204.72]	4.03 [102.36]	3.22 [81.78]

DRAWING REVISION	REVISION BY	DATE
A		
ECO	APPROVED BY	DATE
ECO-0139851		
ECO DESCRIPTION		
OUTLINE CONVERSION PROJECT		
<small>COPYRIGHT REGAL BELOIT AMERICA, INC. ALL RIGHTS RESERVED. PROPRIETARY AND CONFIDENTIAL INFORMATION - THIS DOCUMENT IS THE PROPERTY OF REGAL BELOIT AMERICA, INC. ("OWNER") AND CONTAINS OWNER'S PROPRIETARY INFORMATION. ANY PERSON, CORPORATION OR OTHER FIRM RECEIVING IT IS DEEMED, BY RECEIVING IT, TO AGREE THAT IT, AND/OR ANY PART OF IT, SHALL NOT BE DISCLOSED TO ANY PERSON, CORPORATION OR OTHER ENTITY, DUPLICATED, AND/OR USED, EXCEPT AS EXPRESSLY APPROVED IN WRITING IN ADVANCE BY OWNER. THIS DOCUMENT SHALL BE RETURNED TO OWNER UPON REQUEST. IT MAY BE SUBJECT TO CERTAIN RESTRICTIONS UNDER APPLICABLE EXPORT CONTROL LAWS AND REGULATIONS.</small>		

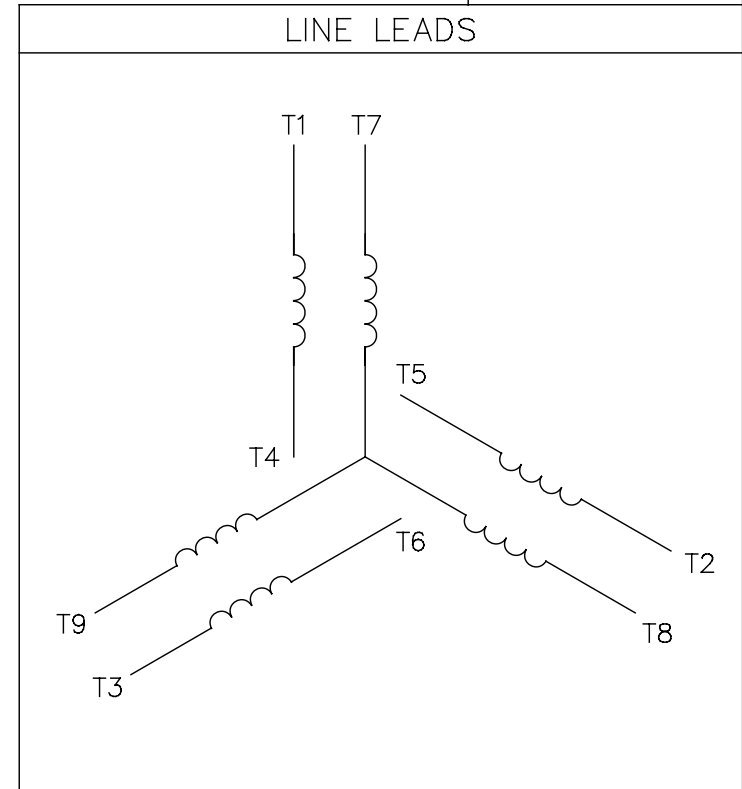
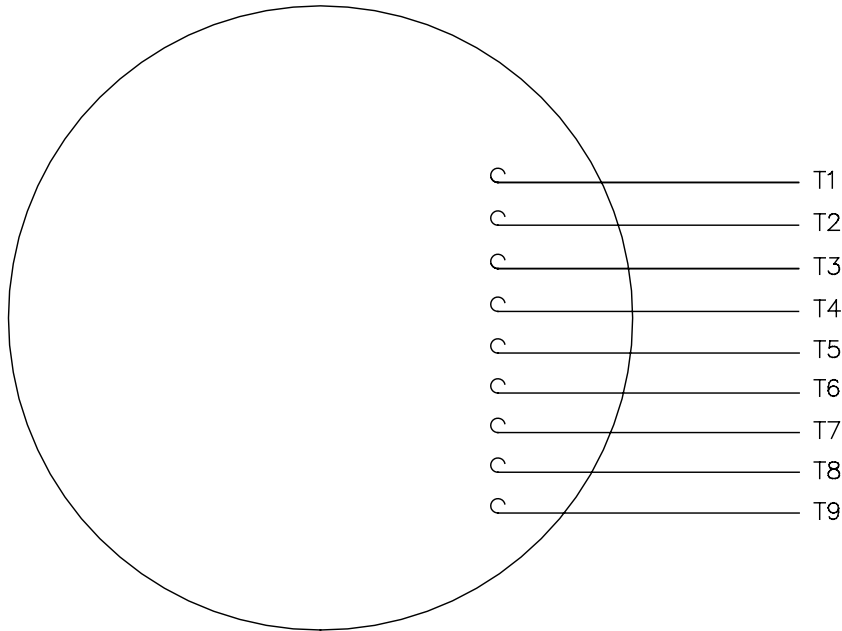
TOLERANCES UNLESS OTHERWISE SPECIFIED:			
DEC.	INCH	mm	ANGLE
.X	± 0.1	[± 2.5]	$\pm 0.5^\circ$
.XX	± 0.01	[± 0.25]	
.XXX	± 0.005	[± 0.127]	
.XXXX	± 0.0005	[± 0.0127]	
REMOVE BURRS & BREAK SHARP EDGES: .003/.015 [0.076/.381] X 45°			
CORNER FILLETS: R.02 [0.51]			
MACHINED SURFACES: 125 3.2			
mm SHOWN IN [BRACKETS]			

DRAWN BY	
A SUPPANAVAR	
DATE	12/05/2017
APPROVED BY	PK
DATE	02/15/2018
REFERENCE	027516
THIRD ANGLE PROJECTION	

REGAL™ Regal Beloit America, Inc.		
DESCRIPTION		
OUTLINE 42 FRAME -RIGID T.E.N.V.		
MATERIAL	PROCESS/FINISH	STANDARD
SIZE	DRAWING NUMBER	SHEET
B	027930	1 OF 1

005010-01

VIEW FROM OUTSIDE OF MOTOR AT SWITCH END.



VOLTAGE	L1	L2	L3	JOIN & INSULATE
HIGH	T1	T2	T3	(T4,T7) (T5,T8) (T6,T9)
LOW	T1,T7	T2,T8	T3,T9	T4,T5,T6

		TOLERANCES UNLESS SPECIFIED		Regal Beloit America, Inc.		DRAWN RDW 04/12/02		
		DEC.	INCHES			CHK		
		.X	±.1	TITLE EXTERNAL WIRING DIAGRAM 3 PHASE W/O PROTECTOR		APPD		
		.XX	±.01			SCALE 1=1		
		.XXX	±.005			REF FIG.2-51		
A	UPDATED TO REGAL LOGO	SAJ 06/26/15	AJY .XXXX ±.0005	MAT'L. DECAL - 004014		FMF		
NO.	REVISION	BY & DATE	CHK ANG ±1/2"	FINISH		PREV		
THIS DRAWING IN DESIGN AND DETAIL IS OUR PROPERTY AND MUST NOT BE USED EXCEPT IN CONNECTION WITH OUR WORK ALL RIGHTS OF DESIGN AND INVENTION ARE RESERVED THIS IS AN ELECTRONICALLY GENERATED DOCUMENT - DO NOT SCALE THIS PRINT				RFP 04/12/02	CAD FILE 00501001	SIZE A	DRAWING NO. 005010-01	REV. A
				DIST BRF-NLV				



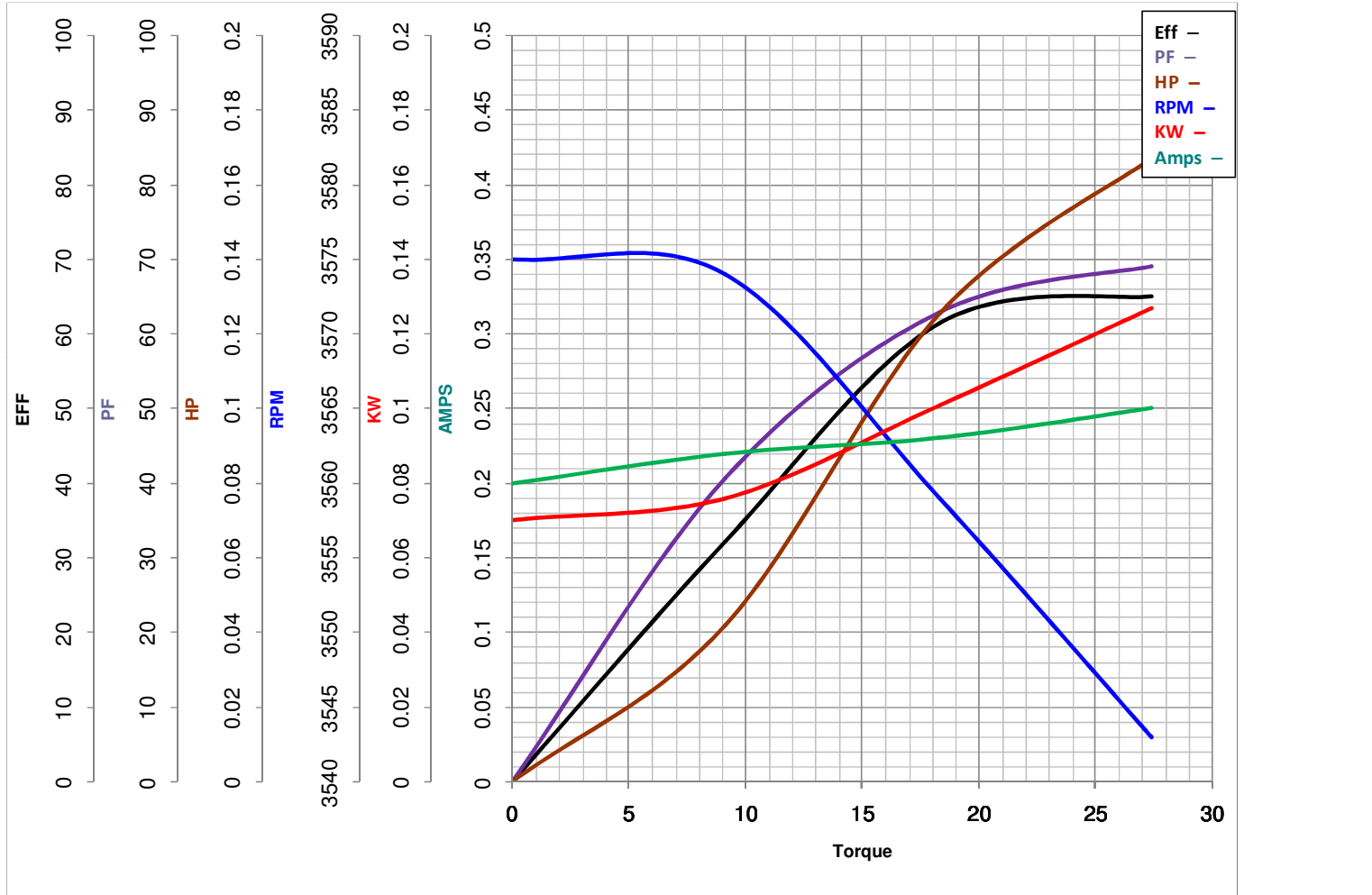
LEESON ELECTRIC CORPORATION
TYPICAL PERFORMANCE CURVE for AC MOTOR

Model No 92014

Catalog No 92014

Curve at 460 Volts HP 0.17 PHASE 3
60 HZ
0.167 HP VOLTS 208-230/460

HZ 60 RPM 3450



Torque in Oz.Ft

FL TORQUE	<u>27.4</u>	Oz.Ft	FL AMPS	<u>.66/.33</u>
BD TORQUE	<u>196.0</u>	Oz.Ft	PU TORQUE	<u>135.0</u> Oz.Ft
LR TORQUE	<u>150.3</u>	Oz.Ft	LR AMPS	<u>0.21</u>
WINDING	T4725-		Date	4/1/2019