

PRODUCT INFORMATION PACKET



Model No: 985.694B
Catalog No: M1125253.00
..1/8HP..31RPM.30.TENV.12V..DC.....985.694B.OS300.IN-LINE..58:1...220LBIN..TRIPLE....
OS300 Series



Regal and Leeson are trademarks of Regal Beloit Corporation or one of its affiliated companies.
©2018 Regal Beloit Corporation, All Rights Reserved. MC017097E





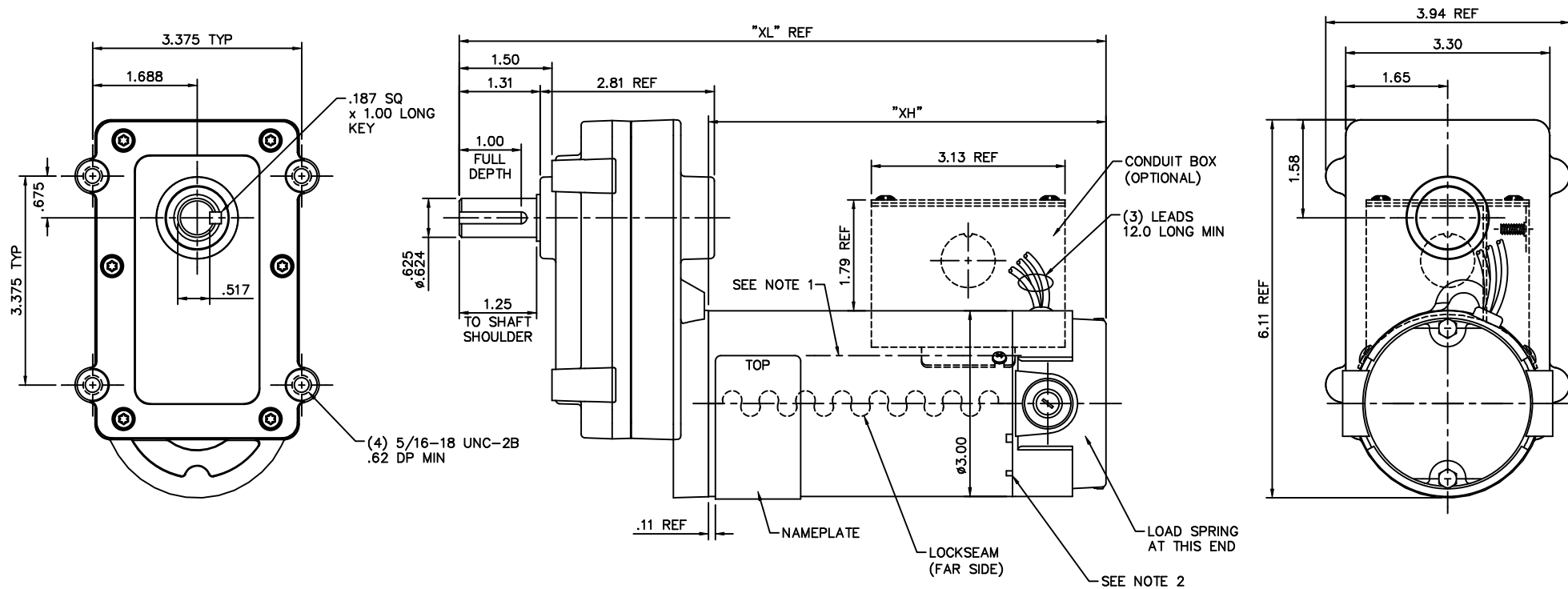
Nameplate Specifications

Output HP	0.13 Hp	Output KW	0.10 kW
Voltage	12 V	Current	10.6 A
Speed	31 rpm	Service Factor	1
Efficiency	60.4 %	Duty	Continuous
Insulation Class	F	Frame	30
Enclosure	Totally Enclosed Non Ventilated	Overload Protector	No
Ambient Temperature	40 °C	Drive End Bearing Size	608
Opp Drive End Bearing Size	6000	UL	Recognized
CSA	Y	CE	N

Technical Specifications


Rotation	Reversible	Mounting	Special
Shaft Type	Parallel	Overall Length	10.45 in
Frame Length	4.91 in	Shaft Diameter	0.625 in
Shaft Extension	1.31 in		
Outline Drawing	M1030931-M1125253	Connection Diagram	M100527301

This is an uncontrolled document once printed or downloaded and is subject to change without notice. Date Created: 10/15/2018

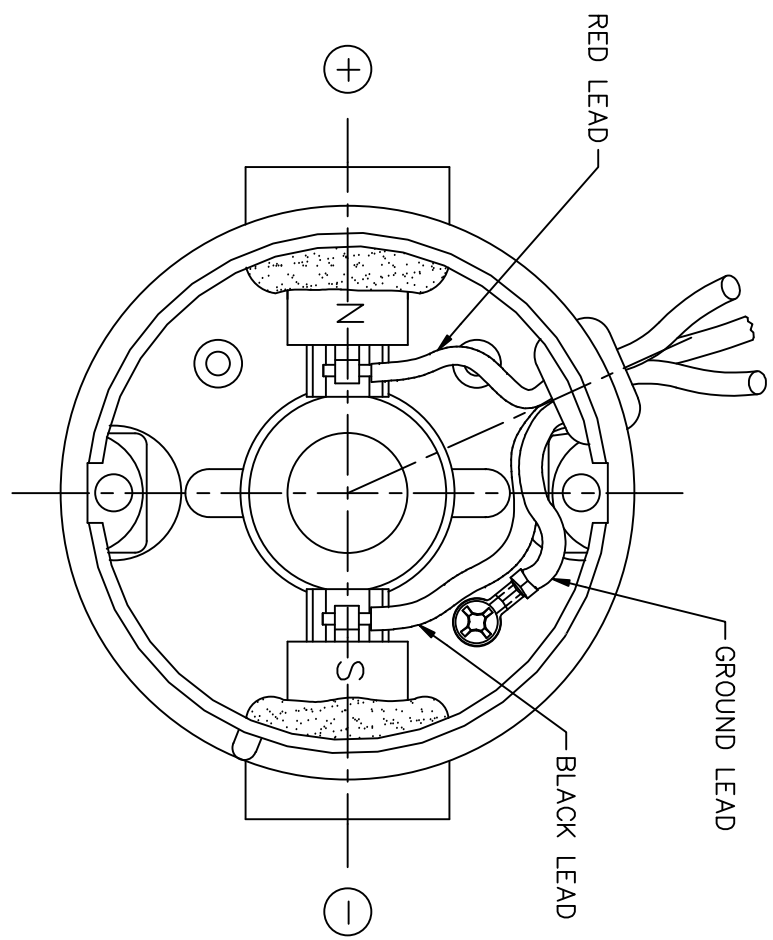


NOTES:
 1. NAMEPLATE MUST BE IN LINE WITH HOLE WITHIN .06".
 2. THIS NOTCH IS NOT PRESENT IN 1/20 HP DESIGNS.

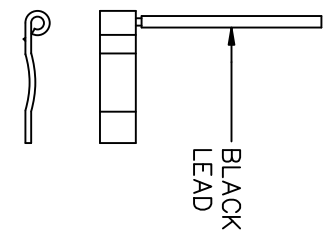
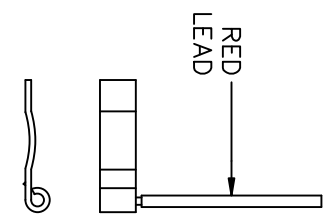
CATALOG NUMBER	OUTPUT RPM	FULL LOAD TORQUE LB.-IN.	F.L. AMPS	INPUT HP	VOLTAGE (VOLTS)	RATIO TO 1	"XH"	"XL"
M1125247.00	51	130	1.4	1/8	90	35	6.42	10.45
M1125248.00	31	220	1.4	1/8	90	58	6.42	10.45
M1125249.00	24	280	1.3	1/8	90	76	6.42	10.45
M1125250.00	18	150	.56	1/20	90	103	4.50	8.52
M1125251.00	9	268	.54	1/20	90	210	4.50	8.52
M1125252.00	51	130	10.3	1/8	12	35	6.42	10.45
M1125253.00	31	220	10.6	1/8	12	58	6.42	10.45
M1125254.00	24	280	10.6	1/8	12	76	6.42	10.45
M1125255.00	18	150	5.0	1/20	12	103	4.50	8.52
M1125256.00	9	268	4.5	1/20	12	210	4.50	8.52


03	ADDED CAT. # M1125255.00 & M1125256.00 TO TABLE, PER FIRST RUN	IPG 6/24/04	SAD	TOLERANCES UNLESS SPECIFIED	DEC.	INCHES	 ELECTRIC MOTORS GEARMOTORS AND DRIVES	DRAWN IPG 6/10/04
02	ADDED CAT. # M1125252.00, M1125253.00 & M1125254.00 TO TABLE, PER FIRST RUN	IPG 6/23/04	SAD	.X	±.1	TITLE		CHK SAD 6/10/04
01	ADDED CAT. # M1125250.00 & M1125251.00 TO TABLE, PER FIRST RUN	IPG 6/16/04	SAD	.XXX	±.005	30 FRAME DC - OS300 GEARBOX	APPD	
	ADDED NOTE 2, PER FIRST RUN			.XXXX	±.0005	MAT'L	SCALE 5=8	
NO.	REVISION	BY & DATE	CHK	ANG	±1/2"	FINISH	REF PR030382	
THIS DRAWING IN DESIGN AND DETAIL IS OUR PROPERTY AND MUST NOT BE USED EXCEPT IN CONNECTION WITH OUR WORK ALL RIGHTS OF DESIGN AND INVENTION ARE RESERVED THIS IS AN ELECTRONICALLY GENERATED DOCUMENT - DO NOT SCALE THIS PRINT							FMP M1125247.00	REV.
			RFP			CAD FILE M1030931	SIZE B	DRAWING NO. M1030931.00
			DIST					03

DC MOTORS



EXTERNAL CONNECTIONS FOR CW ROTATION
VIEWING LEAD END OF MOTOR WITH RED LEAD
POSITIVE AND BLACK LEAD NEGATIVE (-)
FOR CCW ROTATION REVERSE POLARITY



				TOLERANCES UNLESS SPECIFIED		 ELECTRIC MOTORS GEARMOTORS AND DRIVES	DRAWN SMB 01/16/04 CHK IPG 01/16/04 APPD
02	SWITCHED BLACK & RED LEADS, REMOVED "TRU-TORQ" FROM TITLE BLOCK, ISAAC 10-4699	IPG	11/10/10	DEC.	INCHES		
				.X	±.1	TITLE CONNECTION DIAGRAM	SCALE 1=1
01	ADDED "TRU-TORQ" TO THE TITLE BLOCK AND ORACLE DESCRIPTION, ECR 83990	IPG	3/2/2004	SAD	.XX ±.01 .XXX ±.005		
00	RELEASED: REF. PR030668	SMB	01/16/04	IPG	.XXXX ±.0005	MAT'L.	FMF M1125242.00
NO.	REVISION	BY & DATE		CHK	ANG ±1/2"	FINISH	PREV
THIS DRAWING IN DESIGN AND DETAIL IS OUR PROPERTY AND MUST NOT BE USED EXCEPT IN CONNECTION WITH OUR WORK ALL RIGHTS OF DESIGN AND INVENTION ARE RESERVED THIS IS AN ELECTRONICALLY GENERATED DOCUMENT - DO NOT SCALE THIS PRINT				RFP	CAD FILE M100527301	SIZE A	DRAWING NO. M1005273.01
				DIST			REV. 02