

PRODUCT INFORMATION PACKET

Model No: M1120183.00
Catalog No: M1120183.00
Sub-Fractional Motor, 0.17 HP, 90 V, 1750 RPM, 31 Frame, IP55



Regal and are trademarks of Regal Rexnord Corporation or one of its affiliated companies.
©2022 Regal Rexnord Corporation, All Rights Reserved. MC017097E

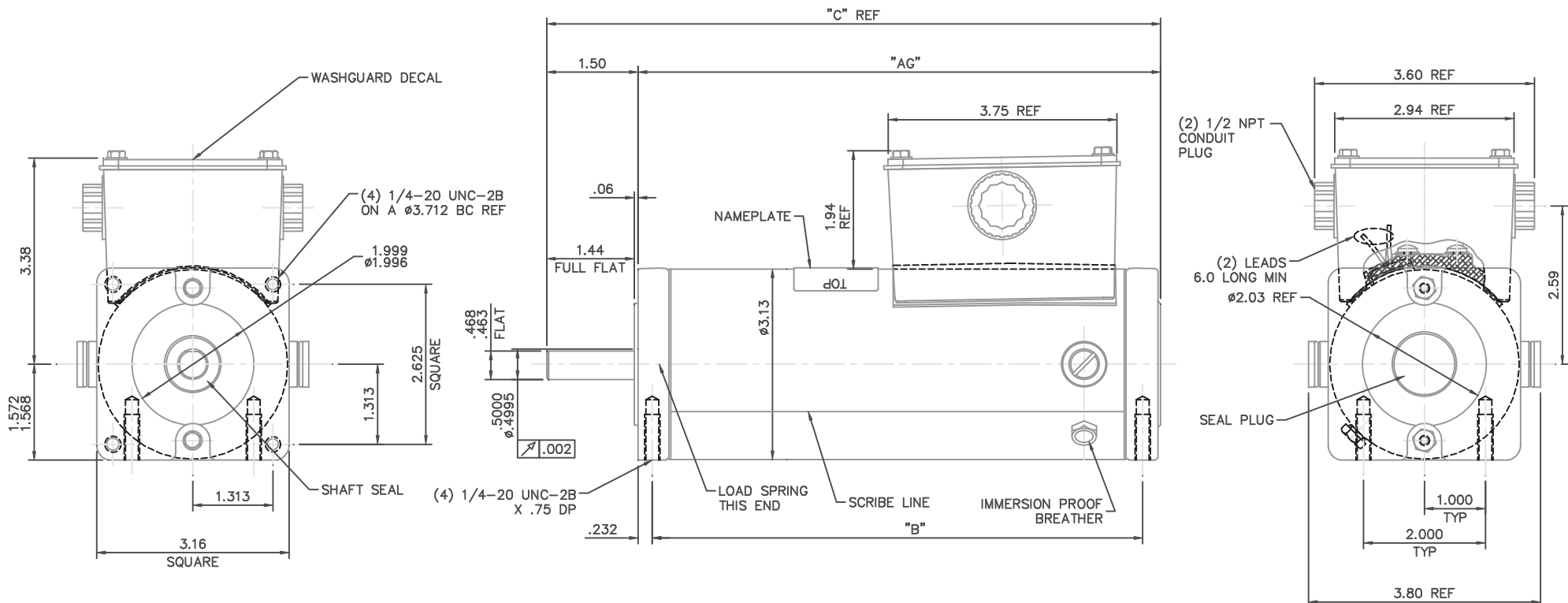
Nameplate Specifications

Output HP	0.17 Hp	Output KW	0.13 kW
Voltage	90 V	Current	1.9 A
Speed	1750 rpm	Service Factor	1
Efficiency	76.2 %	Duty	Continuous
Insulation Class	F	Frame	31
Enclosure	IP55	Thermal Protection	No Protection
Ambient Temperature	40 °C	Drive End Bearing Size	6201-13
Opp Drive End Bearing Size	6201-13	UL	Recognized
CSA	Y	CE	N

Technical Specifications

Rotation	Reversible	Mounting	Round
Overall Length	10.07 in	Frame Length	7.44 in
Shaft Diameter	0.500 in	Shaft Extension	1.5 in
Torque	96 OZ-IN		
Outline Drawing	M1030965-M1120183	Connection Drawing	M100530501

This is an uncontrolled document once printed or downloaded and is subject to change without notice. Date Created:09/19/2022

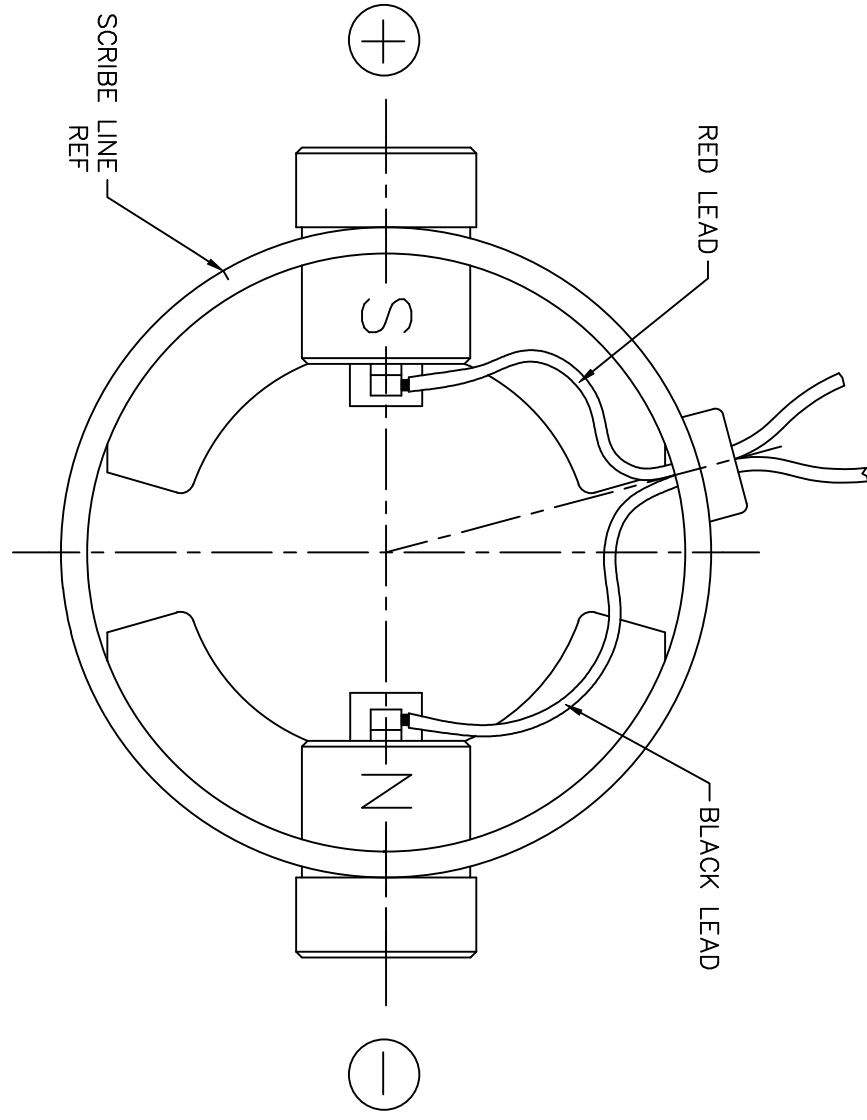


- NOTES:
 1) END CAP MOUNTING FEET TO BE PARALLEL TO EACH OTHER WITHIN .002.
 2) GASKETS BETWEEN FRAME AND ENDBELLS, CONDUIT BOX AND FRAME, AND CONDUIT BOX COVER AND CONDUIT BOX.


M1120181.00	7.07	6.55	8.57	90	1/8	1750
M1120183.00	8.57	8.05	10.07	90	1/6	1750
CATALOG NO.	"AG" DIM	"B" DIM	"C" DIM	VOLT	H.P.	RPM

		TO TOLERANCES UNLESS SPECIFIED		LEESON		ELECTRIC MOTORS GEARMOTORS AND DRIVES		DRAWN IPG 3/31/05	
03	1/2 NPT CONDUIT PLUG QTY. WAS 3. ISAAC 08-3457	RPB	7/29/08	BC	DEC.	INCHES		CHK	SAD 3/31/05
02	FOR M1120183.00: "AG" WAS 8.32, "B" WAS 7.80, "C" WAS 9.82, ADDED LEAD LENGTH INFO, ECR B6549	IPG	4/12/05	SAD	.X	±.1		APPD	
01	ADDED TABLE AND CAT. M1120181.00, ADDED NOTES	IPG	4/1/05	SAD	.XX	±.03		SCALE	5=8
00	RELEASED: SAME AS PRO40115-RD1	IPG	3/31/05	SAD	.XXX	±.005		REF	PR040115-RD1
NO.	REVISION	BY & DATE		CHK	ANG	±1/2"		FMF	M1120183.00
THIS DRAWING IN DESIGN AND DETAIL IS OUR PROPERTY AND MUST NOT BE USED EXCEPT IN CONNECTION WITH OUR WORK ALL RIGHTS OF DESIGN AND INVENTION ARE RESERVED THIS IS AN ELECTRONICALLY GENERATED DOCUMENT - DO NOT SCALE THIS PRINT				RFP	CAD FILE	M1030965		SIZE	DRAWING NO.
				DIST				B	M1030965.00
									REV. 03

DC MOTORS



EXTERNAL CONNECTIONS FOR CCW ROTATION VIEWING
 LEAD END OF MOTOR WITH RED LEAD POSITIVE (+)
 AND BLACK LEAD NEGATIVE (-) FOR CW ROTATION
 REVERSE POLARITY

				TOLERANCES UNLESS SPECIFIED		 ELECTRIC MOTORS GEARMOTORS AND DRIVES		DRAWN IPG 3/23/05		
				DEC.	INCHES			CHK SAD 3/23/05		
				.X	±.1			APPD		
				.XX	±.01			SCALE 1=1		
				.XXX	±.005			REF PR040115-RD1		
00	RELEASED: SAME AS PR040115-RD1	IPG 3/23/05	SAD	.XXXX	±.0005	MAT'L.	SEE ABOVE	FMF	M1120183.00	
NO.	REVISION	BY & DATE	CHK	ANG	±1/2°	FINISH		PREV		
THIS DRAWING IN DESIGN AND DETAIL IS OUR PROPERTY AND MUST NOT BE USED EXCEPT IN CONNECTION WITH OUR WORK ALL RIGHTS OF DESIGN AND INVENTION ARE RESERVED THIS IS AN ELECTRONICALLY GENERATED DOCUMENT - DO NOT SCALE THIS PRINT				RFP		CAD FILE	M100530501	SIZE	DRAWING NO.	REV.
				DIST				A	M1005305.01	00

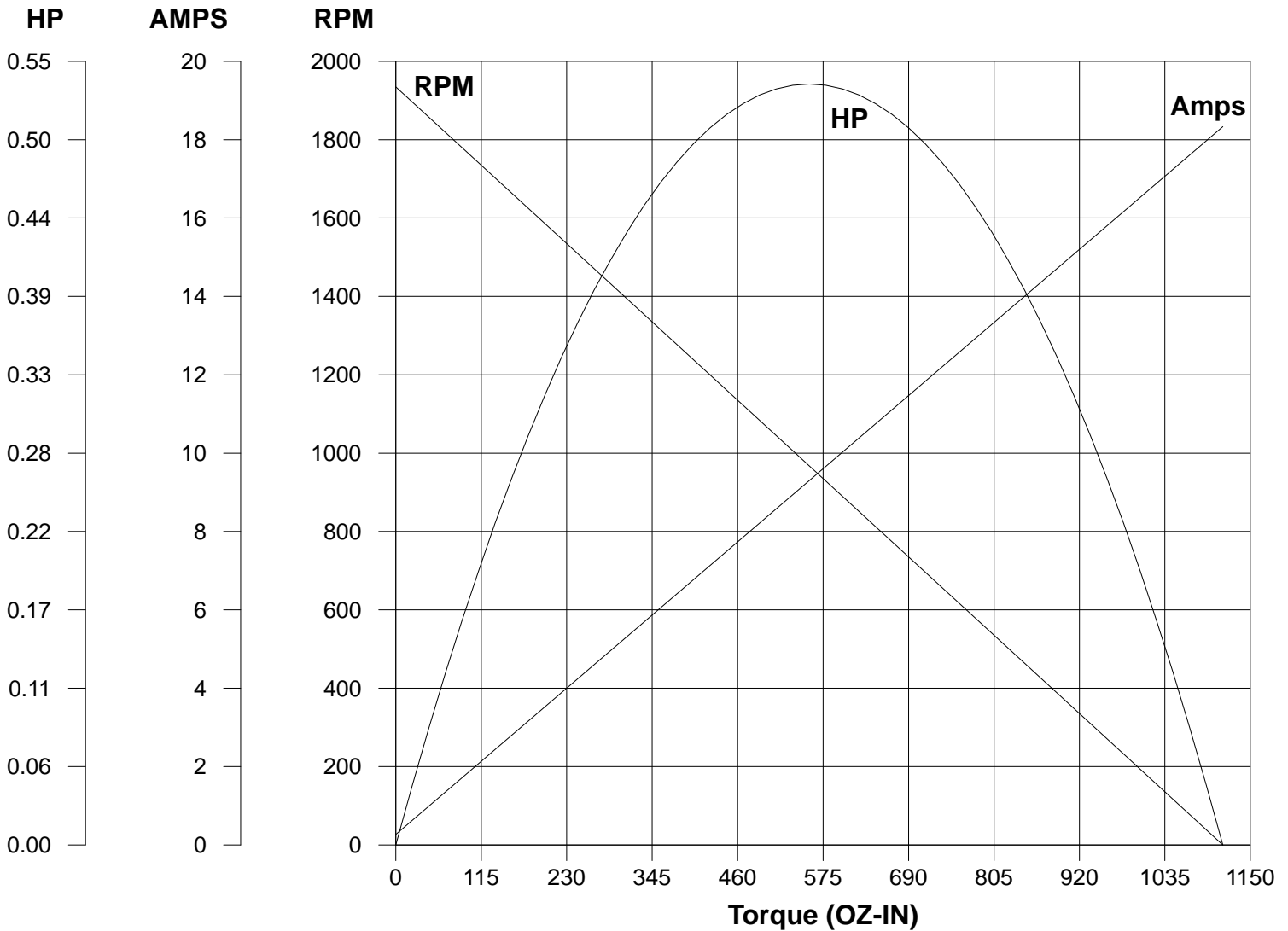
ERROR: undefined
OFFENDING COMMAND: s

STACK:

LEESON ELECTRIC CORPORATION

TYPICAL PERFORMANCE CURVE FOR DIRECT CURRENT PERMANENT MAGNET MOTOR

Model No. <u>CM31D17VZ3</u>	Catalog No. <u>M1120183.00</u>	
HP <u>0.167</u>	RPM <u>1750</u>	DC Volts <u>90.0</u>
F.F. <u>1.38</u>	Encl <u>IP55</u>	Type <u>DN</u>
Max. Amb. <u>40.0 Deg C</u>	Insul. <u>F</u>	Frame <u>31</u>
		N.P. FLA <u>1.90</u>
		S.F. <u>1.00</u>
		Duty <u>CONT</u>



Ra <u>4.4400</u> Ohms La <u>29.50</u> mHenrys Ja <u>10.30</u> OZ-IN ² Ke <u>45.56</u> V/KRPM	Kt <u>61.61</u> OZ-IN/AMP Imax <u>24.1</u> AMPS Allowed FL Torque <u>96.00</u> OZ-IN FL EFF <u>76.20</u> %
--	---

Winding W- MD312327-1 Prepared by V. Boehlen Date 06-30-2020