

# PRODUCT INFORMATION PACKET



Model No: SD4B200TSC64Y

Catalog No: LM32677

..200HP..1800RPM.445TSC.ODP.460V.3PH.60HZ.CONT.40C.1.15SF.RIGID-C.....

Open Drip Proof (ODP)



Regal and Leeson are trademarks of Regal Beloit Corporation or one of its affiliated companies.

©2018 Regal Beloit Corporation, All Rights Reserved. MC017097E





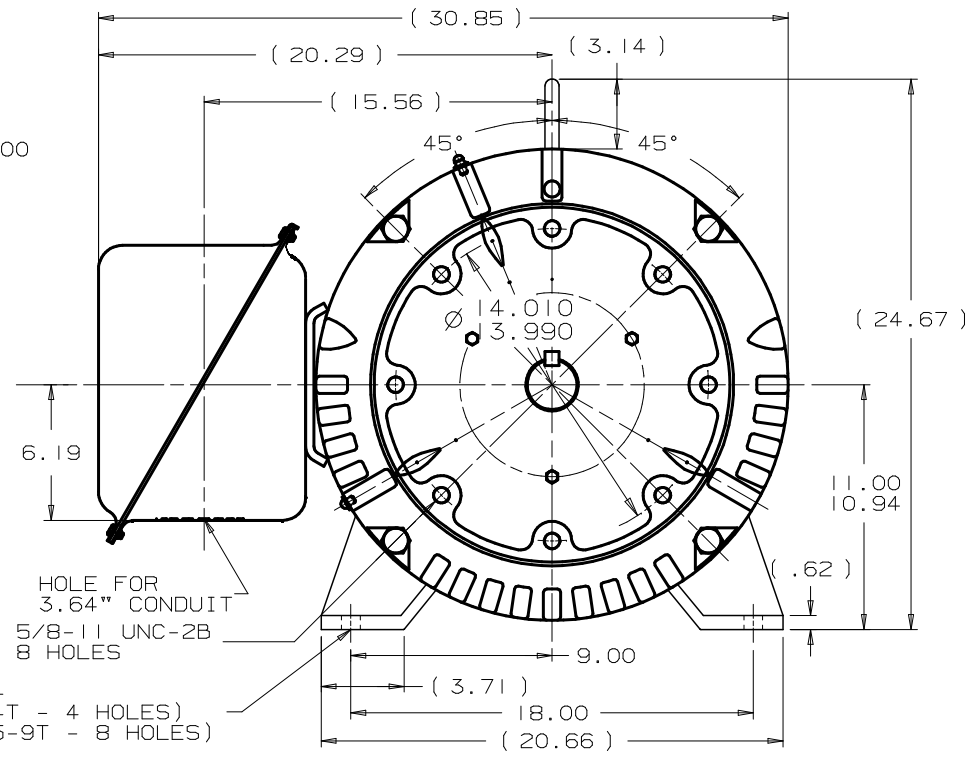
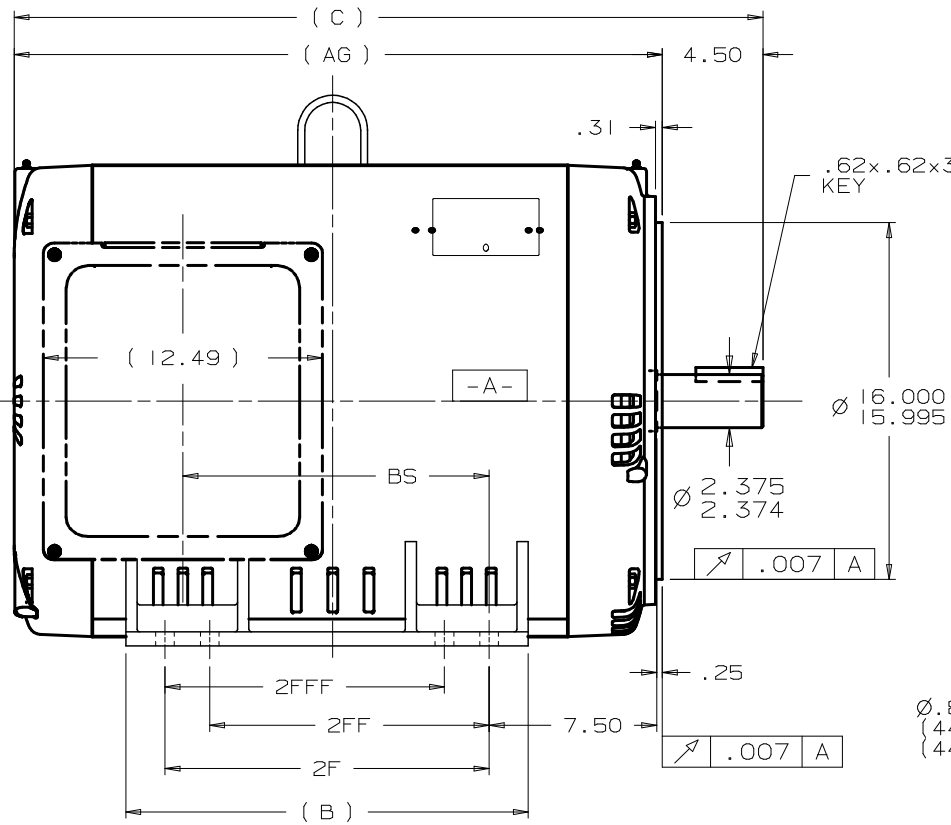
### Nameplate Specifications

Output HP	<b>200 Hp</b>	Output KW	<b>149.0 kW</b>
Frequency	<b>60 Hz</b>	Voltage	<b>460 V</b>
Current	<b>233.0 A</b>	Speed	<b>1787 rpm</b>
Service Factor	<b>1.25</b>	Phase	<b>3</b>
Efficiency	<b>96.2 %</b>	Duty	<b>Continuous</b>
Insulation Class	<b>F</b>	Design Code	<b>BC</b>
KVA Code	<b>G</b>	Frame	<b>445TSC</b>
Enclosure	<b>Drip Proof</b>	Overload Protector	<b>No</b>
Ambient Temperature	<b>40 °C</b>	Drive End Bearing Size	<b>318</b>
Opp Drive End Bearing Size	<b>315</b>	UL	<b>Recognized</b>
CSA	<b>Y</b>	CE	<b>Y</b>
IP Code	<b>22</b>		

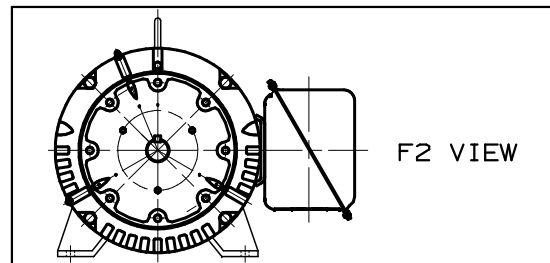
### Technical Specifications

Electrical Type	<b>Squirrel Cage Induction Run</b>	Starting Method	<b>Wye Start Delta Run</b>
Poles	<b>4</b>	Rotation	<b>Reversible</b>
Mounting	<b>Rigid base</b>	Motor Orientation	<b>HORIZONTAL</b>
Drive End Bearing	<b>BALL</b>	Opp Drive End Bearing	<b>BALL</b>
Frame Material	<b>Rolled Steel</b>	Shaft Type	<b>TS</b>
Overall Length	<b>35.50 in</b>	Frame Length	<b>23.27 in</b>
Shaft Diameter	<b>2.375 in</b>	Shaft Extension	<b>4.75 in</b>
Assembly/Box Mounting	<b>F1 ONLY</b>		
Outline Drawing	<b>XK2D1SC2-2327</b>	Connection Diagram	<b>A-EE7340-LN</b>

XK2DISC2



HOLE FOR 3.64" CONDUIT  
5/8-11 UNC-2B  
8 HOLES



NOTES:  
1. CONDUIT BOX CAN BE ROTATED IN 90° STEPS.  
2. NAMEPLATES TO BE READ FROM CONDUIT BOX SIDE OF MOTOR.

DASH	FRAME	C	AG	B	2F	2FF	2FFF	BS
2127	444TS	33.50	29.00	18.00	14.50	---	---	13.96
2327	445TS	35.50	31.00	20.00	16.50	14.50	14.50	15.96
2677	447TS	39.00	34.50	23.50	20.00	16.50	16.50	19.46
3177	449TS	44.00	39.50	28.50	25.00	20.00	20.00	23.71

REV	DATE	CHANGE	NAME
3	10-30-2001	ADDED 447 AND 449 FRAMES MU39294	DRS
2	10-28-2001	GEOMETRIC TOLERANCES WERE .004 SHOULD BE .007 CN 29200-2092	DRS
1	06-30-2001	NEW DRAWING REPLACES 3XSD122FCSK-1 CN 34258	TJB

UNLESS OTHERWISE SPECIFIED DIMENSIONS ARE IN INCHES  
TOL. ON XX± .03 XXX±.005 XXXX±.0005 ANGLE± 7'30"

MAX. SURFACE ROUGHNESS  
UNLESS OTHERWISE NOTED

FINISH

MATERIAL

DRAWN TJB 08-09-2001  
CHKD BY ML 08-23-2001  
APPD BY HNH 08-30-2001

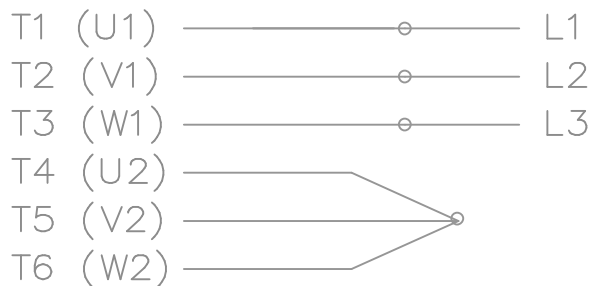
PART NAME OUTLINE NEMA MOTORS  
440TS OPD UE

DRWG NO XK2DISC2

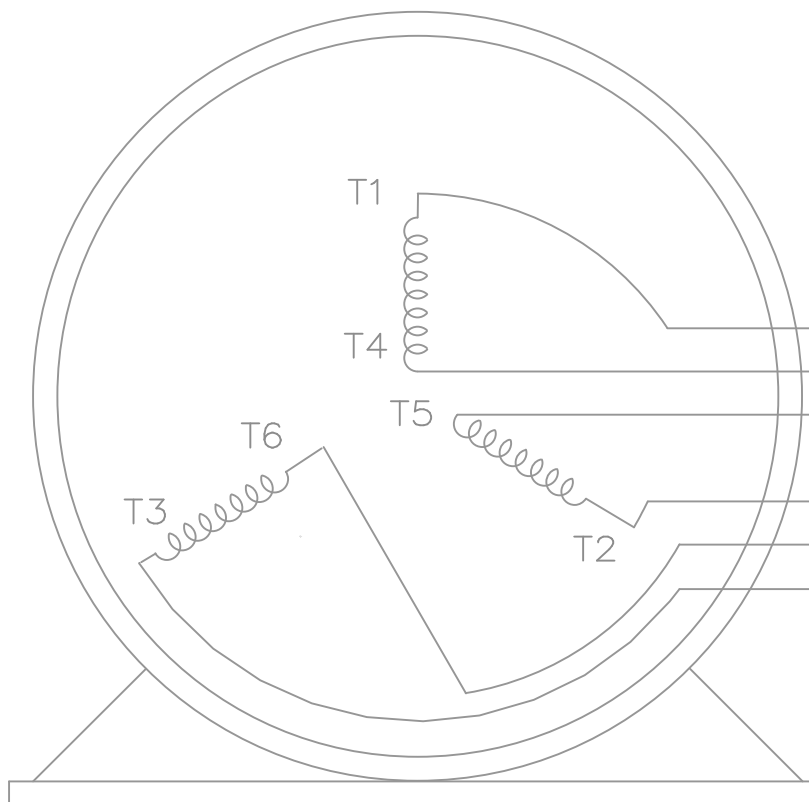
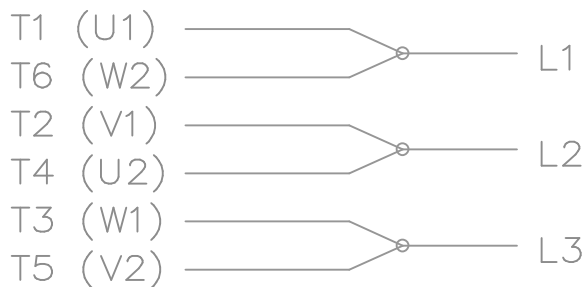
DISTRIBUTION ~~X~~ - ~~X~~ - ~~X~~ - BY CADD FILE NO. XK2DISC2

THREE PHASE – Y START  
Δ RUN MOTOR

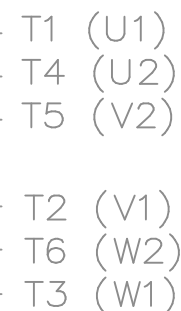
START



RUN




VIEW OF TERMINAL END



T6CK  
T6BM  
T4CC  
T2DL  
T4C

NOTE:  
IEC LEAD MARKINGS ARE NOTED  
IN PARENTHESES

			TOLERANCES UNLESS SPECIFIED			DRAWN BLR 10-04-1999		
			DEC.	INCHES		CHK DRS 10-04-1999		
			.X	±.1		APPD TB 10-04-1999		
3	REVISED TO MATCH M.E. ORIGINAL	TAT 07-25-2005	ML	.XX	±.02	TITLE CONNECTION DIAGRAM	SCALE 1=1	
2	REVISED DRAWING MISTAKE CN 29200-2980	ERH 05-15-2003	ML	.XXX	±.005	3Ø – WYE START DELTA RUN	REF	
1	NEW DRAWING	BLR 10-09-1999		.XXXX	±.0005	MAT'L.	FMF	
NO.	REVISION	BY & DATE	CHK	ANG	±'	FINISH	PREV	
THIS DRAWING IN DESIGN AND DETAIL IS OUR PROPERTY AND MUST NOT BE USED EXCEPT IN CONNECTION WITH OUR WORK ALL RIGHTS OF DESIGN AND INVENTION ARE RESERVED THIS IS AN ELECTRONICALLY GENERATED DOCUMENT – DO NOT SCALE THIS PRINT			RFP	CAD FILE ee7340_In		SIZE A	DRAWING NO. EE7340-LN	PAGE OF 3
			DIST	WA-LB-SB				REV. 3

Data Sheet

Date: 1/19/2018

LM32677



Data @ 460 V

Motor Load Data								
Load	0%	25%	50%	75%	100%	115%	125%	LR
Current (Amps)	75.5	94.0	133	180	233	267	290	1,450
Torque (ft-lb)	0.00	146	293	440	588	677	737	1,250
RPM	1800	1797	1795	1790	1787	1785	1783	0
Efficiency (%)		93.6	95.8	96.2	96.2	95.8	95.8	
P.F. (%)	3.5	53.0	73.5	81.0	83.5	84.0	84.5	30.5

Motor Speed Data						Information Block																					
Speed (RPM)	LR	Pull-Up	BD	Rated	Idle	HP	Sync. RPM	Frame	Enclosure	Construction	Voltage	Frequency	Design	LR Code letter	Service Factor	Temp Rise @ FL	Duty	Ambient	Elevation	Rotor/Shaft wk <sup>2</sup>	Ref Wdg	Sound Pressure @ 1M	VFD Rating	Outline Dwg	Conn. Diag	Additional Specifications:	
0		900	1725	1787	1800	200.0	1800	445	DP	TDR	460#380	60	A	G	1.15	48	CONT	40	1,000	0.00	NONE	999	NONE	XK2D1SC2-2327	A-EE7340-1N		
Current (Amps)	1,450	1,300	950	233	75.5																						
Torque (ft-lb)	1,250	1,125	1,400	588	0.00																						

