

PRODUCT INFORMATION PACKET

Model No: 132480.00

Catalog No: 132480.00

Brake Motor, 5 HP, 3 Ph, 60 Hz, 230/460 V, 1800 RPM, 184TC Frame, TEFC



Regal and are trademarks of Regal Rexnord Corporation or one of its affiliated companies.
©2022 Regal Rexnord Corporation, All Rights Reserved. MC017097E

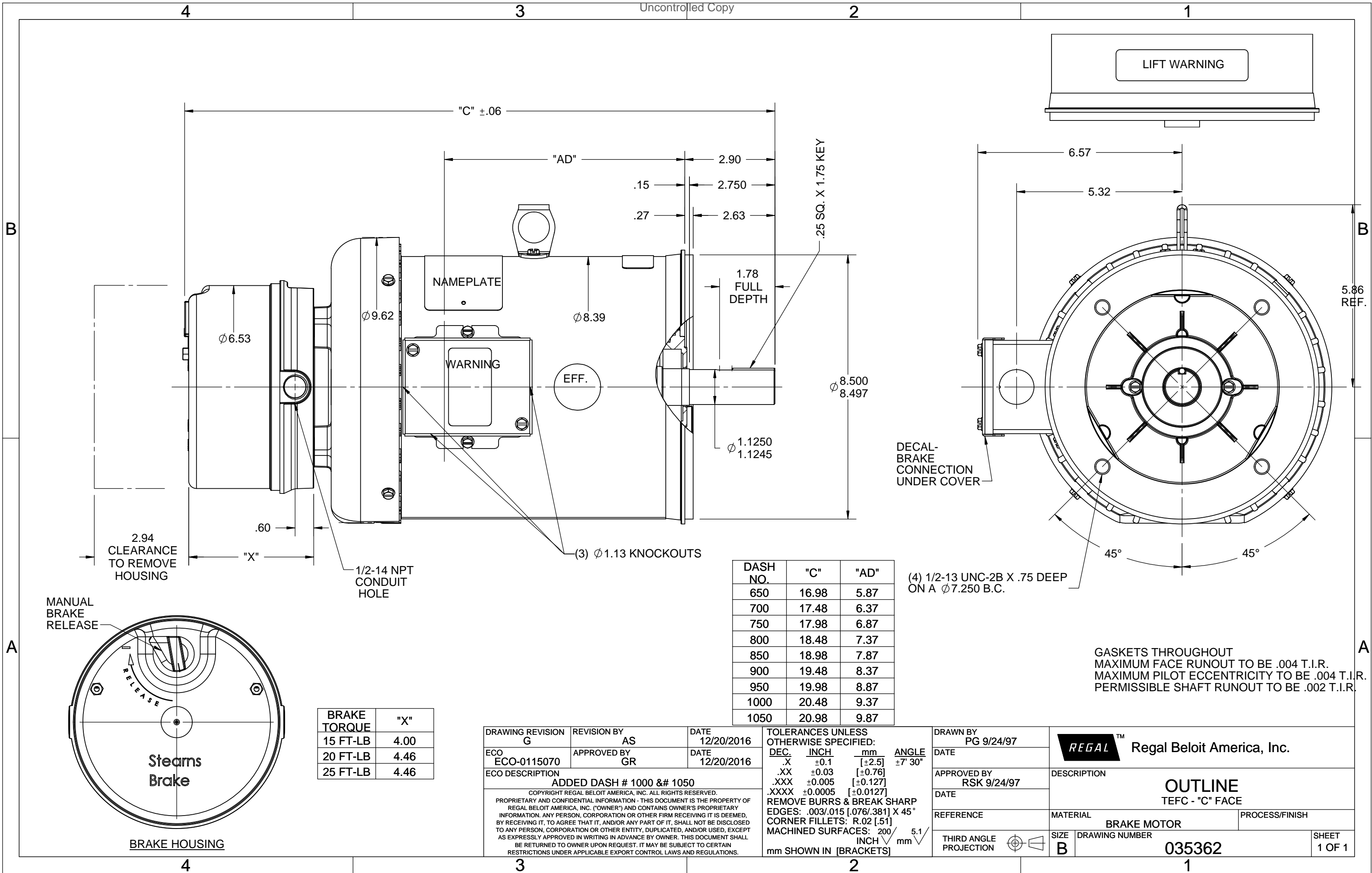
Nameplate Specifications

Output HP	5 Hp	Output KW	3.7 kW
Frequency	60 Hz	Voltage	230/460 V
Current	12.6/6.3 A	Speed	1760 rpm
Service Factor	1.15	Phase	3
Efficiency	89.5 %	Power Factor	83
Duty	Continuous	Insulation Class	F
Design Code	B	KVA Code	G
Frame	184TC	Enclosure	Totally Enclosed Fan Cooled
Thermal Protection	No Protection	Ambient Temperature	40 °C
Drive End Bearing Size	6206	Opp Drive End Bearing Size	6205
UL	Recognized	CSA	Y
CE	Y	IP Code	43
Number of Speeds	1		

Technical Specifications

Electrical Type	Squirrel Cage Induction Run	Starting Method	Across The Line
Poles	4	Rotation	Reversible
Resistance Main	2.68 Ohms	Mounting	Round
Motor Orientation	Horizontal	Drive End Bearing	Ball
Opp Drive End Bearing	Ball	Frame Material	Rolled Steel
Shaft Type	T	Overall Length	20.98 in
Frame Length	10.50 in	Shaft Diameter	1.125 in
Shaft Extension	2.75 in	Assembly/Box Mounting	F1/F2 CAPABLE
Connection Drawing	005010.15	Outline Drawing	035362-1050

This is an uncontrolled document once printed or downloaded and is subject to change without notice. Date Created:09/07/2022



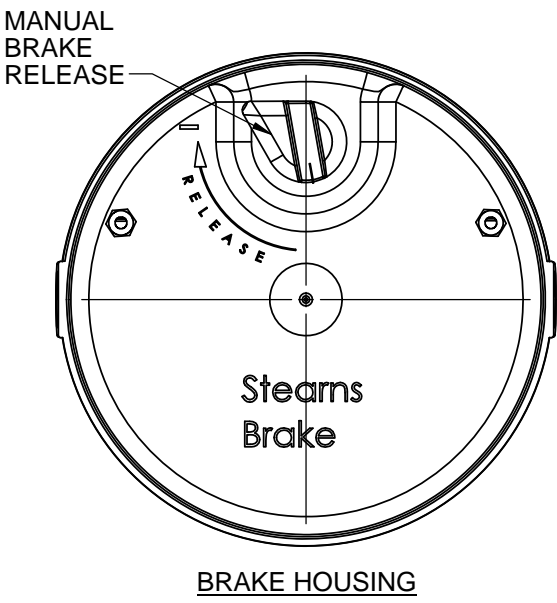
LIFT WARNING

NAMEPLATE

WARNING

EFF.

DECAL-BRAKE CONNECTION UNDER COVER



BRAKE TORQUE	"X"
15 FT-LB	4.00
20 FT-LB	4.46
25 FT-LB	4.46

DASH NO.	"C"	"AD"
650	16.98	5.87
700	17.48	6.37
750	17.98	6.87
800	18.48	7.37
850	18.98	7.87
900	19.48	8.37
950	19.98	8.87
1000	20.48	9.37
1050	20.98	9.87

(4) 1/2-13 UNC-2B X .75 DEEP ON A Ø7.250 B.C.

GASKETS THROUGHOUT
 MAXIMUM FACE RUNOUT TO BE .004 T.I.R.
 MAXIMUM PILOT ECCENTRICITY TO BE .004 T.I.R.
 PERMISSIBLE SHAFT RUNOUT TO BE .002 T.I.R.

DRAWING REVISION G	REVISION BY AS	DATE 12/20/2016
ECO ECO-0115070	APPROVED BY GR	DATE 12/20/2016
ECO DESCRIPTION ADDED DASH # 1000 & # 1050 COPYRIGHT REGAL BELOIT AMERICA, INC. ALL RIGHTS RESERVED. PROPRIETARY AND CONFIDENTIAL INFORMATION - THIS DOCUMENT IS THE PROPERTY OF REGAL BELOIT AMERICA, INC. ("OWNER") AND CONTAINS OWNER'S PROPRIETARY INFORMATION. ANY PERSON, CORPORATION OR OTHER FIRM RECEIVING IT IS DEEMED, BY RECEIVING IT, TO AGREE THAT IT, AND/OR ANY PART OF IT, SHALL NOT BE DISCLOSED TO ANY PERSON, CORPORATION OR OTHER ENTITY, DUPLICATED, AND/OR USED, EXCEPT AS EXPRESSLY APPROVED IN WRITING IN ADVANCE BY OWNER. THIS DOCUMENT SHALL BE RETURNED TO OWNER UPON REQUEST. IT MAY BE SUBJECT TO CERTAIN RESTRICTIONS UNDER APPLICABLE EXPORT CONTROL LAWS AND REGULATIONS.		

TOLERANCES UNLESS OTHERWISE SPECIFIED:			
DEC.	INCH	mm	ANGLE
.X	±0.1	[±2.5]	±7' 30"
.XX	±0.03	[±0.76]	
.XXX	±0.005	[±0.127]	
.XXXX	±0.0005	[±0.0127]	
REMOVE BURRS & BREAK SHARP EDGES: .003/.015 [.076/.381] X 45° CORNER FILLETS: R.02 [.51] MACHINED SURFACES: 200 INCH 5.1 mm SHOWN IN [BRACKETS]			

DRAWN BY PG 9/24/97	DATE
APPROVED BY RSK 9/24/97	DATE
REFERENCE	THIRD ANGLE PROJECTION

Regal Beloit America, Inc.	
DESCRIPTION OUTLINE TEFC - "C" FACE	
MATERIAL BRAKE MOTOR	PROCESS/FINISH
SIZE B	DRAWING NUMBER 035362
SHEET 1 OF 1	

VIEW FROM OUTSIDE OF MOTOR AT SWITCH END.

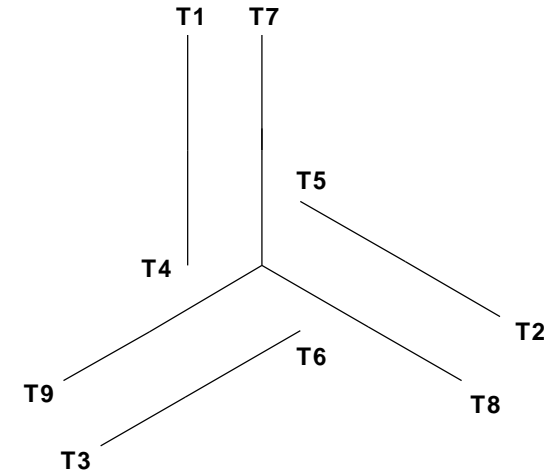


CAUTION:
LEAD WIRE INSULATION TO EXTEND
MINIMUM OF 1/4" INTO CONNECTOR
INSULATION

SEE TABLE FOR
 BRAKE CONNECTIONS

REF. DECAL (MOTOR) - 004014
 REF. DECAL (BRAKE) - 080034 (STEARNS & DINGS BRAKE)

LINE LEADS



VOLTAGE	L1	L2	L3	JOIN & INSULATE
HIGH	T1	T2	T3	(T4, T7) (T5, T8) (T6, T9)
LOW	T1, T7	T2, T8	T3, T9	T4, T5, T6

RBC PROPRIETARY AND CONFIDENTIAL INFORMATION
 This document is the property of REGAL BELOIT CORPORATION ("RBC") including its subsidiaries and divisions and contains proprietary information of RBC. This document is loaned on the express condition that neither it nor the information contained therein shall be disclosed to others without the express written consent of RBC, and that the information shall be used by the recipient only as approved expressly by RBC. This document shall be returned to RBC upon its request. This document may be subject to certain restrictions under U.S. export control laws and regulations.

TYPE "T" W/O PROTECTOR

VOLTAGE	BRAKE CONNECTION		
	STEARNS BRAKE		DINGS BRAKE
	L1	L2	Join
HIGH	1(RED)	2(RED)	3(BLACK) 4(BLACK)
LOW	1(RED) 3(BLACK)	2(RED) 4(BLACK)	-----

				TOLERANCES UNLESS SPECIFIED		ELECTRIC MOTORS GEARMOTORS AND DRIVES	DRAWN JJK 09/17/96	
				DEC	INCHES		CHK	
				.X	±.1	APPR		
				.XX	±.01	TITLE	EXTERNAL WIRING DIAGRAM	
--	REDRAWN IN SOLIDWORKS	VJB 02/08/11	.XXX	±.005	STANDARD 3 PHASE - DUAL VOLTAGE		SCALE 1:1	
01	ADDED DINGS AND BRAKE TABLE (PER CN114156)	TMZ 11/12/96	.XXXX	±.0005	MAT'L W/STEARNS OR DINGS DUAL VOLTAGE BRAKE CONN.		REF 005010-01	
NO	REVISION	BY & DATE	CHK	ANG ±1/2°	FINISH LEESON STOCK		PAGE OF	
THIRD ANGLE PROJECTION				RFP	PREV	SIZE	DRAWING NO	
				NETWORK FILE NAME 00501015		A	005010-15	
							REV --	

P.O. BOX 8003
 WAUSAU, WI 54401-8003
 PH. 715-675-3311



DATA VOLTS: 460

CERTIFICATION DATA SHEET

CONN. DIAGRAM: 005010.15
 OUTLINE: 035362-1050
 WINDING: T84170

CAT #: 132480.00

FR 3

TYPICAL MOTOR PERFORMANCE DATA

HP	KW	SYNC RPM	FL RPM	FRAME	ENCLOSURE	TYPE	KVA CODE	DESIGN
5	3.7	1800	1760	184TC	TEFC	TFW	J	B

PH	HZ	VOLTS	AMPS	START TYPE	DUTY	INSL	S.F.	AMB	ELEV.
3	60	230/460	12.6/6.3	ACROSS THE LINE	CONT	F	1.15	40	3300

F.L. EFF	89.5	3/4 LD EFF	90.2	1/2 LD EFF	88.9	GTD EFF	ELECT. TYPE
F.L. PF	83.1	3/4 LD PF	79.4	1/2 LD PF	70.9	87.5	SQ CAGE IND RUN

F.L. TORQUE	LR AMPS @ 460 V	L.R. TORQUE	B.D. TORQUE	F.L. RISE (°C)
15.0 LB-FT	49.0	30.1 LB-FT 201%	50.2 LB-FT 335%	65

PRESSURE @ 3	POWER	ROTOR WK²	MAX. LOAD WK²	SAFE STALL TIME	STARTS/HOUR	MOTOR WGT
55 dBA	64 dBA	0.49 LB-FT²	0 LB-FT²	15 SEC.	2	0 LB.

***** SUPPLEMENTAL INFORMATION *****

DE BRACKET TYPE	ODE BRACKET TYPE	MOUNT TYPE	MOTOR ORIENTATION	SEVERE DUTY	HAZARDOUS LOCATION	DRIP COVER	SCREENS	PAINT
C-FACE	BRAKE	ROUND	HORIZONTAL	NO	NONE	NO	NONE	JE - LEESON (ENAM)

BEARINGS		GREASE	SHAFT TYPE	SPECIAL DE	SPECIAL ODE	SHAFT MATERIAL	FRAME MATERIAL
DE	ODE	POLYREX EM	T	NONE	NONE	1144 STRESSPROOF (C-223)	ROLLED STEEL
BALL	BALL						
6206	6205						

THERMOSTATS	PROTECTORS	WDG RTD's	BRG RTD's	THERMISTORS	CONTROL	SPACE HEATERS
NONE	NOT	NONE	NONE	NONE	FALSE	NA

R1 (ohms/ph)	R2 (ohms/ph)	X1 (ohms/ph)	X2 (ohms/ph)	Xm (ohms/ph)	VIBRATION (in/sec)	FLOAT
0	0	0	0	0	0.150	ODE

* N O T E S *	INVERTER TORQUE: NONE					
	INV. HP SPEED RANGE: NONE					
	ENCODER: NONE					
	NONE					
	NONE					

DATE: 1/17/2018	BRAKE: STEARNS 56,000 NEMA 2
	FT-LB: 25
	VOLTAGE: 230/460-190/380 HZ:
	UL: Y-(LEESON UL REC)

Data Sheet

Date: 1/17/2018

132480.00



Data @ 460 V

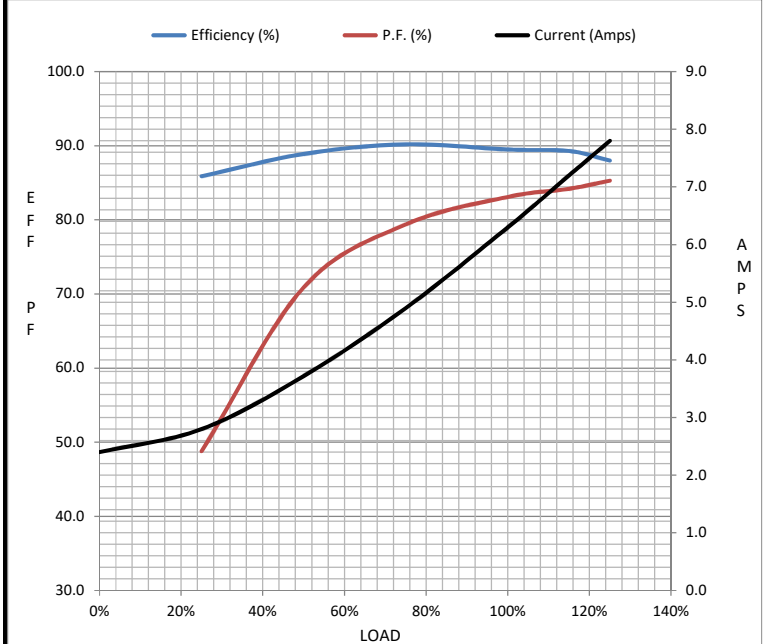
Motor Load Data

Load	0%	25%	50%	75%	100%	115%	125%	LR
Current (Amps)	2.40	2.80	3.7	4.9	6.3	7.2	7.8	49.0
Torque (ft-lb)	0.00	3.7	7.4	11.1	15.0	17.4	18.8	30.1
RPM	1800	1790	1779	1768	1760	1,747	1742	0
Efficiency (%)		85.9	88.9	90.2	89.5	89.3	88.0	
P.F. (%)	6.8	48.8	70.9	79.4	83.1	84.2	85.3	0.0

Motor Speed Data

	LR	Pull-Up	BD	Rated	Idle
Speed (RPM)	0	900	1656	1760	1800
Current (Amps)	49.0	45.1	29.4	6.3	2.40
Torque (ft-lb)	30.1	29.8	50.2	15.0	0.00

Information Block				
HP	5.0			
Sync. RPM	1800			
Frame	184			
Enclosure	TEFC			
Construction	TFW			
Voltage	230/460 V			
Frequency	60 Hz			
Design	B			
LR Code letter	J			
Service Factor	1.15			
Temp Rise @ FL	65 °C			
Duty	CONT			
Ambient	40 °C			
Elevation	1,000 feet			
Rotor/Shaft wk ²	0.49 Lb-Ft ²			
Ref Wdg	T84170 FR			
Sound Pressure @ 1M	55 dBA			
VFD Rating	NONE			
Outline Dwg	035362-1050			
Conn. Diag	005010.15			
Additional Specifications:				
0				
0				
EQUIV CKT (OHMS / PHASE)				
R1	R2	X1	X2	Xm
0.0000	0.0000	0.0000	0.0000	0.0000



Speed - Torque Curve

