

PRODUCT INFORMATION PACKET



Model No: 132083.00

Catalog No: 132083.00

3 HP General Purpose Motor, 1 phase, 3600 RPM, 115/208-230 V, 182TC Frame, ODP
General Purpose Motors



Regal and Leeson are trademarks of Regal Rexnord Corporation or one of its affiliated companies.
©2021 Regal Rexnord Corporation, All Rights Reserved. MC017097E





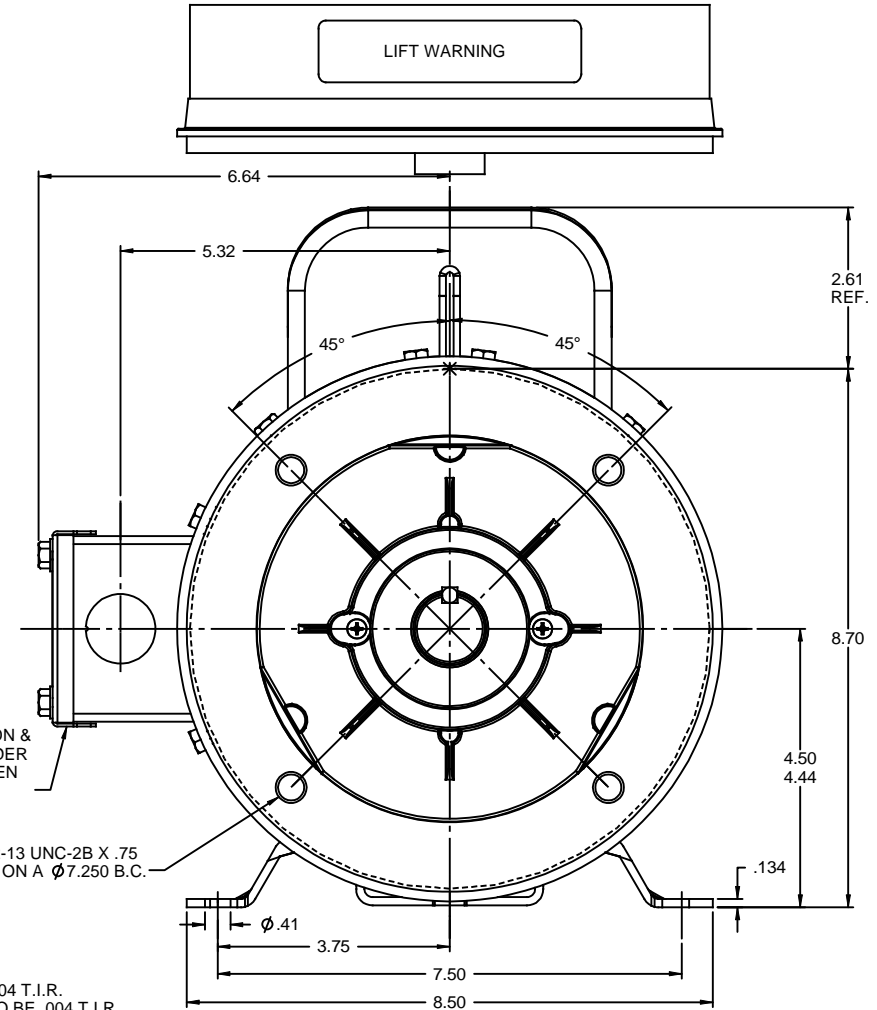
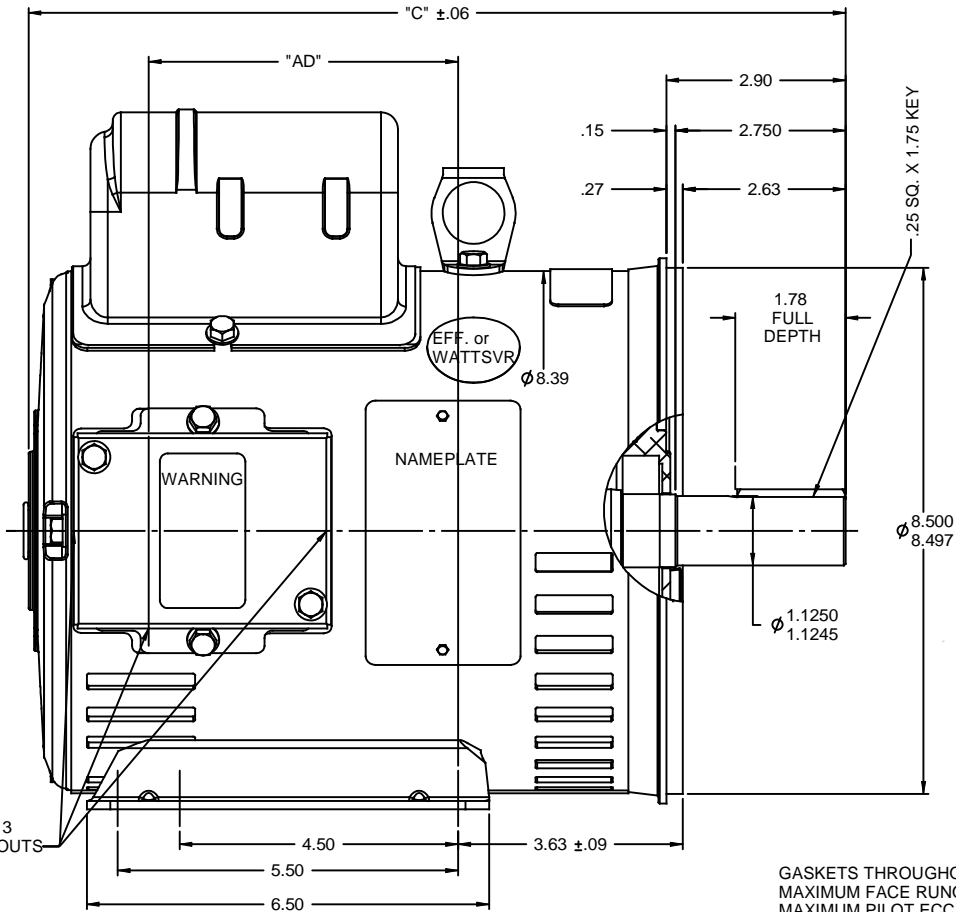
Nameplate Specifications

Output HP	3 Hp	Output KW	2.2 kW
Frequency	60 Hz	Voltage	115/208-230 V
Current	28.0/15.2-14.0 A	Speed	3500 rpm
Service Factor	1.15	Phase	1
Efficiency	77 %	Power Factor	89
Duty	Continuous	Insulation Class	F
Design Code	L	KVA Code	G
Frame	182TC	Enclosure	Drip Proof
Thermal Protection	No	Ambient Temperature	40 °C
Drive End Bearing Size	6206	Opp Drive End Bearing Size	6205
UL	Recognized	CSA	Y
CE	N	IP Code	22
Number of Speeds	1		

Technical Specifications

Electrical Type	Capacitor Start Capacitor Run	Starting Method	Across The Line
Poles	2	Rotation	Selective Counterclockwise
Resistance Main	.187 Ohms	Mounting	Rigid Base
Motor Orientation	Horizontal	Drive End Bearing	Ball
Opp Drive End Bearing	Ball	Frame Material	Rolled Steel
Shaft Type	T	Overall Length	14.20 in
Frame Length	10.00 in	Shaft Diameter	1.125 in
Shaft Extension	2.75 in	Assembly/Box Mounting	F1 ONLY
Outline Drawing	035502-1000	Connection Drawing	005054.01

RBC PROPRIETARY AND CONFIDENTIAL INFORMATION
 This document is the property of REGAL BELOIT CORPORATION ("RBC") including its subsidiaries and divisions and contains proprietary information of RBC. This document is loaned on the express condition that neither it nor the information contained therein shall be disclosed to others without the express written consent of RBC, and that the information shall be used by the recipient only as approved expressly by RBC. This document shall be returned to RBC upon its request. This document may be subject to certain restrictions under U.S. export control laws and regulations.

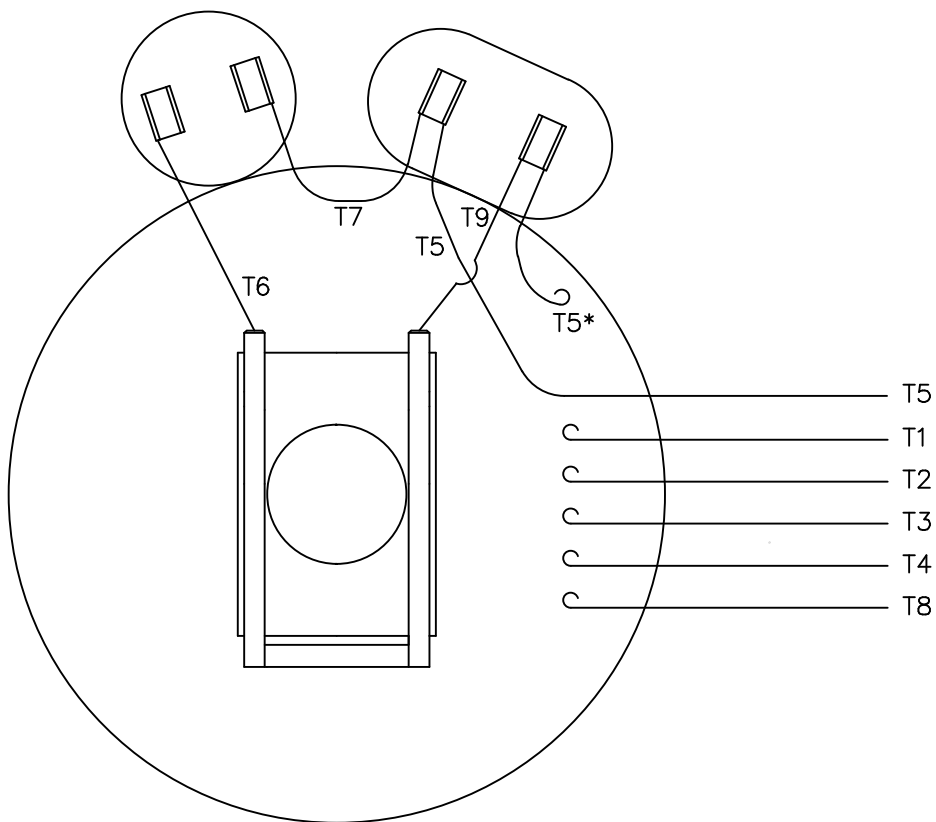


GASKETS THROUGHOUT
 MAXIMUM FACE RUNOUT TO BE .004 T.I.R.
 MAXIMUM PILOT ECCENTRICITY TO BE .004 T.I.R.
 PERMISSIBLE SHAFT RUNOUT TO BE .002 T.I.R.

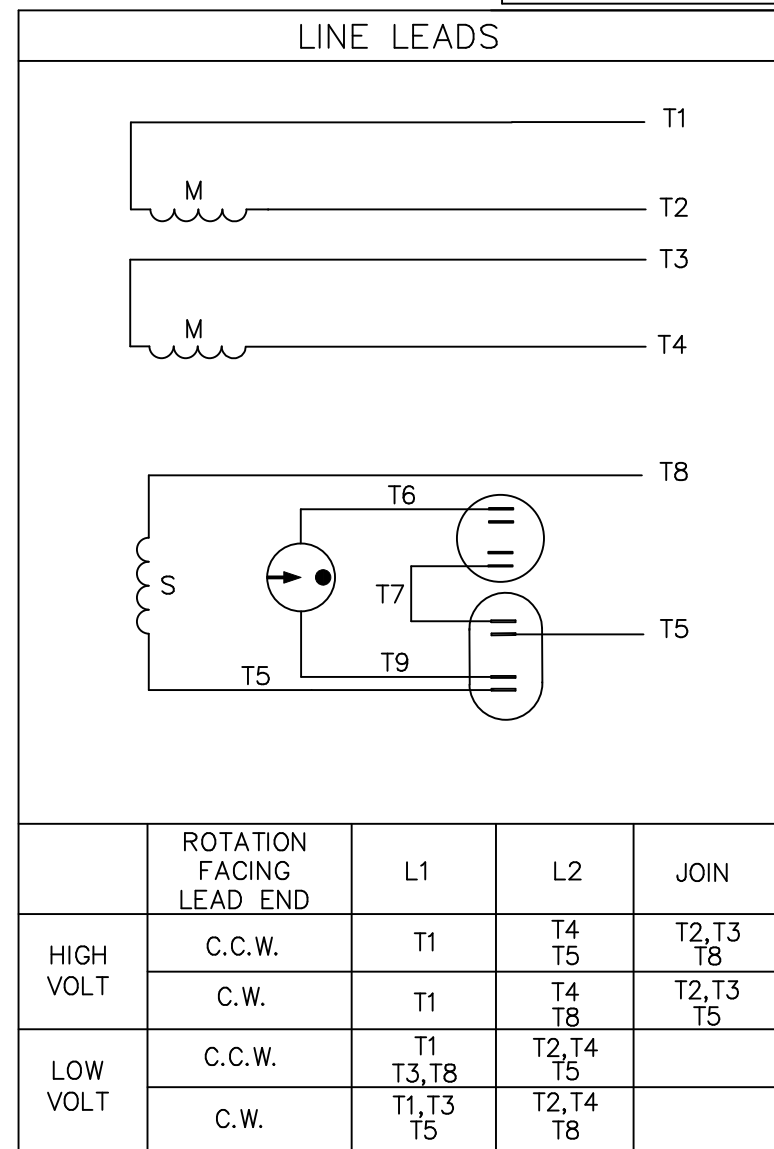
DASH NO.	"C"	"AD"
900	13.20	5.00
950	13.70	5.50
1000	14.20	6.00
1050	14.70	6.50
1100	15.20	7.00
1150	15.70	7.50
1200	16.20	8.00
1250	16.70	8.50

TOLERANCES UNLESS SPECIFIED		REGAL BELOIT CORPORATION		DRAWN SW 5/10/05	
DEC	INCHES	REGAL BELOIT CORPORATION		CHK	
X	±.1			APPR RDW 5/10/05	
.XX	±.03	TITLE OUTLINE - 180TC FRAME		SCALE 1:2	
.XXX	±.005	DRIP PROOF - RIGID "C"		REF 035501	
-	UPDATED & REDRAWN ON SOLIDWORKS	LST 12/18/2009	XX .XXX	±.0005	MATL GENERAL PURPOSE
NO	REVISION	BY & DATE	CHK ANG ±1/2°	FINISH	PAGE OF
	THIRD ANGLE PROJECTION		RFP	PREV	SIZE DRAWING NO
			NETWORK FILE NAME	B	035502
					REV -

VIEW FROM OUTSIDE OF MOTOR AT SWITCH END.



* THIS LEAD MAY BE WHITE



		TOLERANCES UNLESS SPECIFIED		ELECTRIC MOTORS GEARMOTORS AND DRIVES		DRAWN JRW 09/27/74			
		DEC.	INCHES			CHK	TEM		
			.X	±.1		APPD	10/11/74		
11	ALTERNATE T5 LEAD MARKING WAS RED	RLW	8/6/02	.XX	±.01	TITLE	SCALE 1=1		
10	ADDED ALTERNATE T5 LEAD MARKING	RLW	6/5/02	KH	.XXX ±.005	EXT. WIRING DIAGRAM TYPE "K" W/O PROTECTOR	REF A-005053		
09	REDRAWN TO CAD	DBT	05/28/97		.XXXX ±.0005	MAT'L. DECAL-004012	FMF W-K6343		
NO.	REVISION	BY & DATE	CHK	ANG	±1/2"	FINISH	PREV		
THIS DRAWING IN DESIGN AND DETAIL IS OUR PROPERTY AND MUST NOT BE USED EXCEPT IN CONNECTION WITH OUR WORK ALL RIGHTS OF DESIGN AND INVENTION ARE RESERVED THIS IS AN ELECTRONICALLY GENERATED DOCUMENT - DO NOT SCALE THIS PRINT				RFP	CAD FILE	00505401	SIZE	DRAWING NO.	REV.
				DIST	BRF-NLV		A	005054-01	11



1051 CHEYENNE AVE.
GRAFTON, WI 53024
PH. 262-377-8810

CERTIFICATION DATA SHEET

CONN. DIAGRAM: 005054.01
OUTLINE: 035502-1000
WINDING #: K8224 3 A

CATALOG #: 132083.00
MOUNTING: F1 ONLY

TYPICAL MOTOR PERFORMANCE DATA

HP	kW	SYNC. RPM	F.L. RPM	FRAME	ENCLOSURE	KVA CODE	DESIGN
3	2.24	3600	3500	182TC	DP	G	L

PH	Hz	VOLTS	AMPS	START TYPE	DUTY	INSL	S.F.	AMB°C
1	60	115/208-230	28/15.2-14	ACROSS THE LINE	CONTINUOUS	F4	1.15	40

FULL LOAD EFF:	77	3/4 LOAD EFF:	76.1	1/2 LOAD EFF:	70.2	GTD. EFF	ELEC. TYPE
FULL LOAD PF:	89	3/4 LOAD PF:	86.2	1/2 LOAD PF:	79.9	74	CAP START CAP RUN

F.L. TORQUE	LOCKED ROTOR AMPS	L.R. TORQUE	B.D. TORQUE	F.L. RISE°C
4.5 LB-FT	175.3 / 87.6	9.5 LB-FT 211 %	10.5 LB-FT 233 %	115

SOUND PRESSURE @ 3 FT.	SOUND POWER	ROTOR WK^2	MAX. WK^2	SAFE STALL TIME	STARTS / HOUR	APPROX. MOTOR WGT
0 dBA	10 dBA	0.137 LB-FT^2	0.1 LB-FT^2	0 SEC.	0	74 LBS.

***** SUPPLEMENTAL INFORMATION *****

DE BRACKET TYPE	ODE BRACKET TYPE	MOUNT TYPE	ORIENTATION	SEVERE DUTY	HAZARDOUS LOCATION	DRIP COVER	SCREENS	PAINT
C-FACE	STANDARD	RIGID	HORIZONTAL	FALSE	NONE	FALSE	NONE	BLUE - LEESON (ENAMEL)

BEARINGS		GREASE	SHAFT TYPE	SPECIAL DE	SPECIAL ODE	SHAFT MATERIAL	FRAME MATERIAL
DE	ODE						
BALL	BALL	POLYREX EM	T	NONE	NONE	AISI 1045 (C-240)	ROLLED STEEL
6206	6205						

THERMO-PROTECTORS				THERMISTORS	CONTROL	SPACE HEATERS
THERMOSTATS	PROTECTORS	WDG RTDs	BRG RTDs			
NONE	NOT	NONE	NONE	NONE	FALSE	NONE VOLTS

*
N
O
T
E
S
*

INVERTER TORQUE: NONE
INV. HP SPEED RANGE: NONE
ENCODER: NONE NONE NONE NONE NONE PPR
BRAKE: NONE NONE NONE P/N NONE NONE NONE NONE FT-LB NONE V NONE Hz



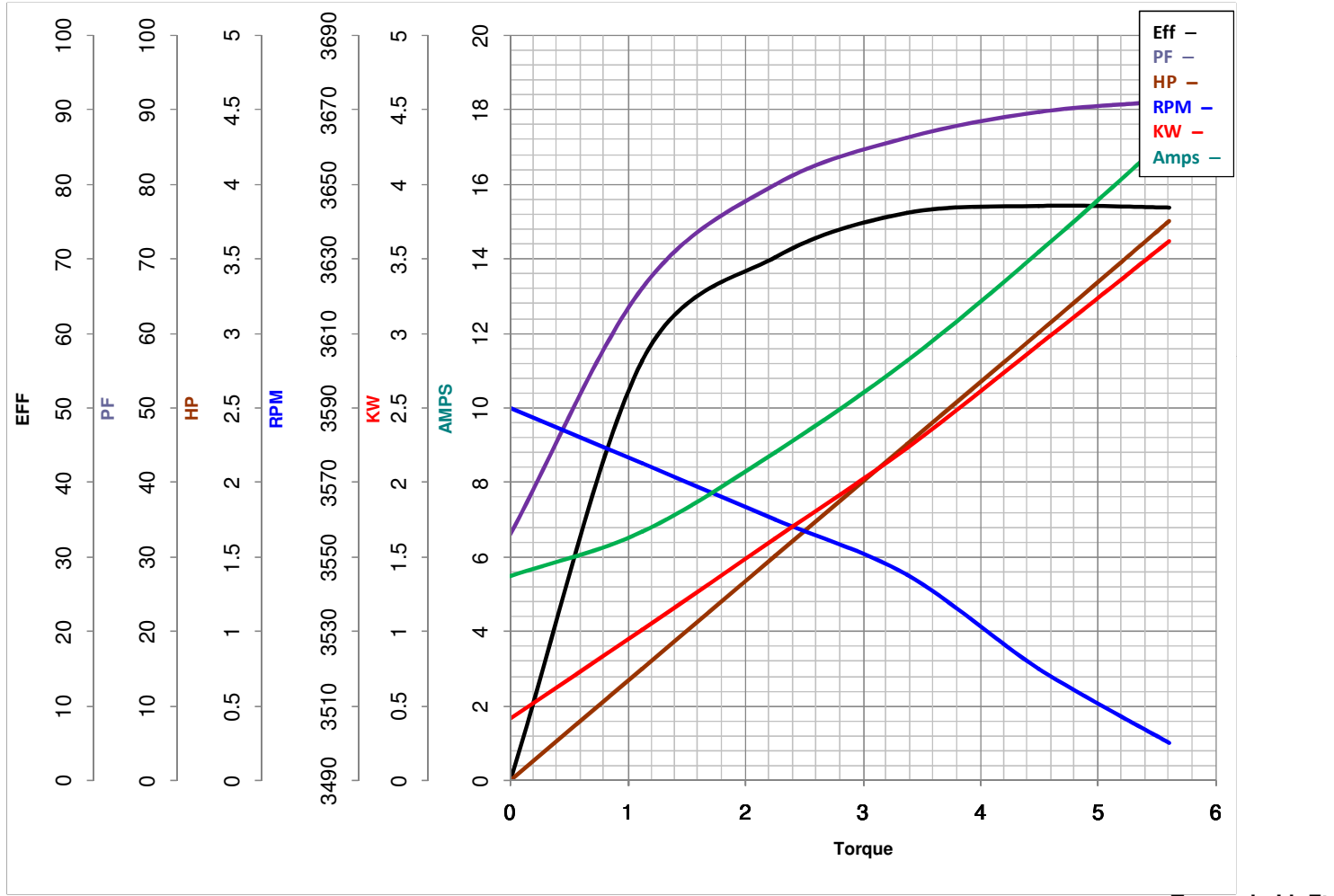
LEESON ELECTRIC CORPORATION
TYPICAL PERFORMANCE CURVE for AC MOTOR

Model No 132083.00

Catalog No 132083.00

Curve at 230 Volts HP 3.00 PHASE 1
60 HZ
3 HP VOLTS 115/208-230

HZ 60 RPM 3500



Torque in Lb.Ft

FL TORQUE 4.5 Lb.Ft
BD TORQUE 10.5 Lb.Ft
LR TORQUE 9.5 Lb.Ft

FL AMPS 28/15.2-14
PU TORQUE 7.3 Lb.Ft
LR AMPS 87.63

WINDING K8224-3

Date 7/17/2018